

Product Specifications



TL-201

Description

Low Voltage Gimball track cylinder for use with MR-16 lamps

Available Finishes:

Black
Brushed Steel
White

Product Code:

TL-201-BLK
TL-201-BST
TL-201-WH

- 105° vertical aiming capability with 270° horizontal rotation.
- Locking knob provided.



Specifications

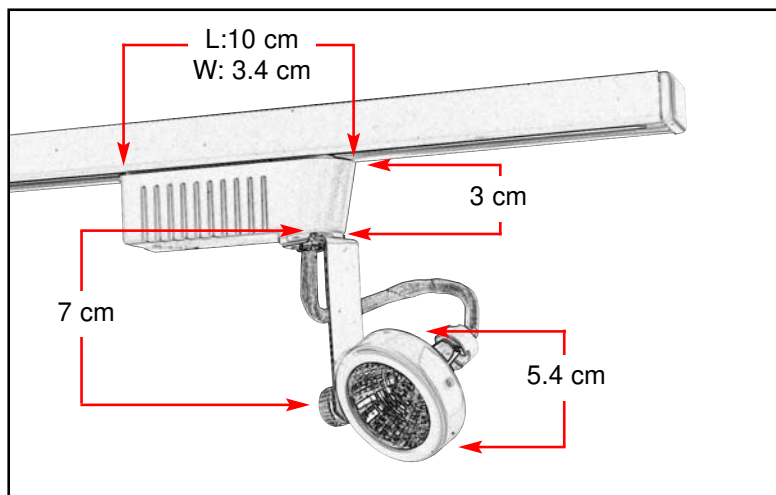
I/P: AC 120V 60Hz 0.6A

O/P: AC 12V 80W max.*

Bulb type: MR16 12V / 50W*



* Our 80 watt rating is reserved for Trac-Tech low voltage cylinders built to the highest standards. Although recommended for use with 50 watt bulbs, these heads feature top quality 80 watt electronic transformers to allow a longer, trouble-free life. Ideal for commercial applications.



110, 6780 Dennett Place, Delta, BC V4G 1N4 - P. (604) 952-5510 F. (604) 952-5513
16650 - 114 Avenue Edmonton, Alberta T5M 3R8 - P. (780) 455-5500 F. (780) 452-1706
2, 6355 - Danville Rd, Mississauga, Ontario L5T 2L4 - P. (905) 565-9998 F. (905) 565-8881