



KENDAL
LIGHTING INC.

Product Specifications

TL650 I

Description

Low voltage track head cylinder for use with MR16 CG 12V/50W bulbs.

- Directional light source providing 90° vertical aiming capability with 315° horizontal rotation
- Dimmer compatible

Available Finishes

Model

Oil Rubbed Bronze

TL650I-ORB

Satin Nickel

TL650I-SN

White

TL650I-WH

Lamp:

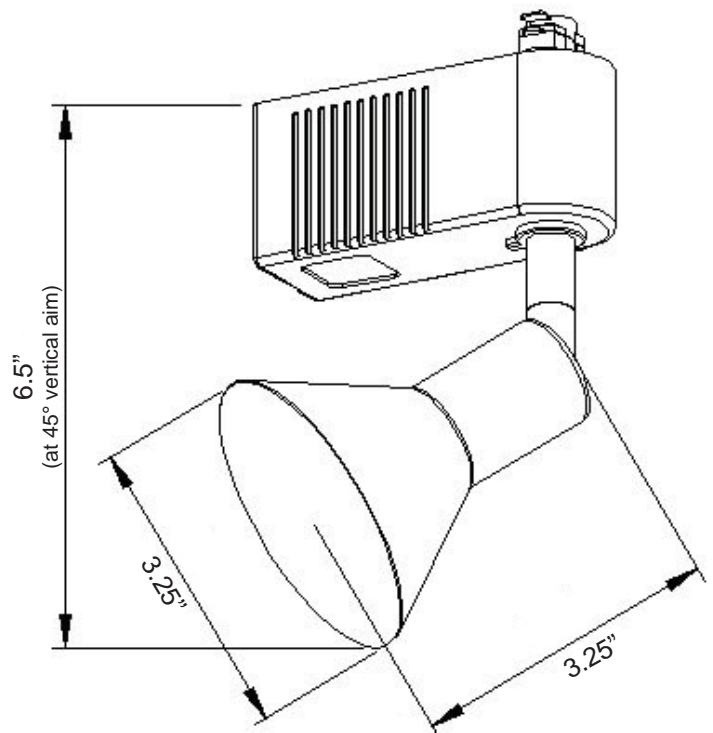
MR16 CG 12V / 50W (max.)

Not Included

I/P: AC 120V 60Hz 0.6A

O/P: AC 12V 80W max. *

* Our 80 watt rating is reserved for Trac-Tech low voltage cylinders built to the highest standards. Although recommended for use with 50 watt bulbs, these heads feature top quality 80 watt electronic transformers to allow a longer, trouble-free life. Ideal for commercial applications.



Project: _____

Fixture Type: _____

Location: _____

Contact / Phone: _____