



**KENDAL**  
LIGHTING INC.

# Product Specifications

## TL6901G

### Description

Low voltage track head cylinder for use with MR16-CG 12V/50W bulbs.

- Directional light source providing 105° vertical aiming capability with 315° horizontal rotation
- Frost Glass shade
- Dimmer compatible
- Re-lamps from the front
- Suction cup lamp removal aid included
- Lead wires concealed within stem
- Porcelain 12V AC MR16 base socket
- May be modified to fit other major brands



### Available Finishes      Model #

Oil Rubbed Bronze	<b>TL6901G-ORB</b>
Satin Nickel	<b>TL6901G-SN</b>
White	<b>TL6901G-WH</b>



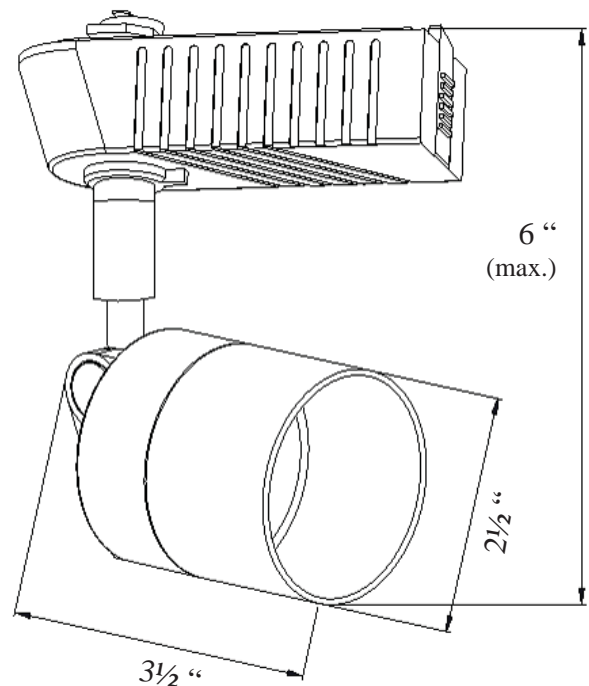
### Lamp:

MR16-CG 12V / 50W (max.)  
Not Included



**I/P:** AC 120V 60Hz 0.6A  
**O/P:** AC 12V 80W max. \*

\* Our 80 watt rating is reserved for Trac-Tech low voltage cylinders built to the highest standards. Although recommended for use with 50 watt bulbs, these heads feature top quality 80 watt electronic transformers to allow a longer, trouble-free life. Ideal for commercial applications.



Project: \_\_\_\_\_

Fixture Type: \_\_\_\_\_

Location: \_\_\_\_\_

Contact / Phone: \_\_\_\_\_