

PRODUCT SPECIFICATIONS

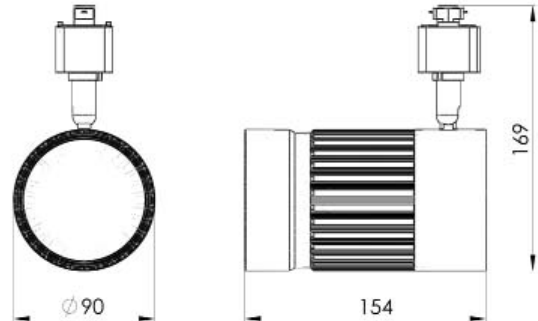
TLED-04



Description

45 watt Integrated LED Track Cylinder

- Directional light source providing 90° vertical aiming capability with 320° horizontal rotation
- Head length: 6.1", Dia.: 3.5"
- OAH: 8.2" (max.)
- Cree® Xlamp® COB LED
- NOT Dimmable
- 38° beam spread - 24° and 60° degree lenses available. Model #'s: BSL467-24 and BSL467-60
- DLC Listed
- 5 YEAR Warranty

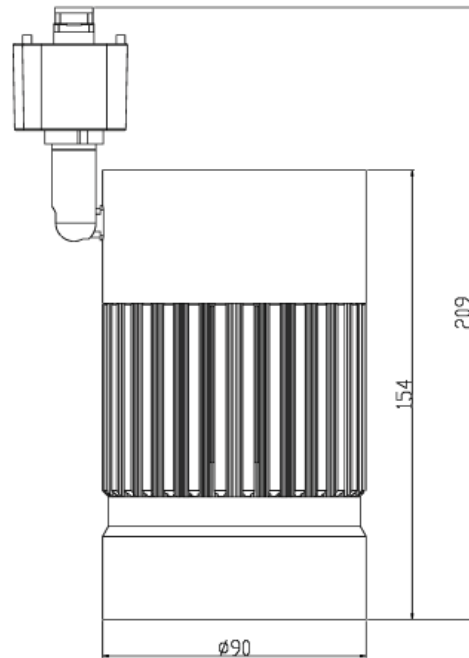


LED info:

W	45
CCT	3000K
lm	4800
lm/W	110
CRI	83+



mm's



120V, 60Hz, 45W.

Conforms to UL Std. 1574

Certified to CSA Standard C22.2 No. 9.0

CAUTION - To reduce the risk of fire and electric shock, use only with KL track "T2, T4, T6, T8" series Track system.

FOR USE WITH CEILING MOUNTED TRACK ONLY.

LED light cannot be replaced.

Available Finishes Model#

Black	TLED-04-BLK
Brushed Steel	TLED-04-BST
White	TLED-04-WH

