

PRODUCT SPECIFICATIONS

TLED-11DW



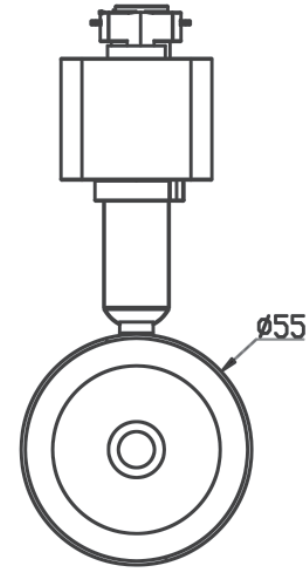
Description

9 watt DIM-to-WARM Integrated LED Track cylinder

- Directional light source providing 90° vertical aiming capability with 320° horizontal rotation
 - Head length: 3.75", Dia.: 2.2"
 - OAH: 5.5"
 - Sharp LED
 - Dimmer compatible (with TRIAC controls)
 - Dims from 2800K to 2000K
 - 38° beam spread - 24° and 60° degree lenses available
- Model #'s: **BSL11-24** and **BSL23-60**

LED info:

W	9
CCT	2800K
lm	550
lm/W	55.5
CRI	95+



120V, 60Hz, 9 W.

Conforms to UL Std. 1574

Certified to CSA Standard C22.2 No. 9.0

CAUTION - To reduce the risk of fire and electric shock, use only with KL track "T2, T4, T6, T8" series Track system.

FOR USE WITH CEILING MOUNTED TRACK ONLY.

LED light cannot be replaced.

Available Finishes Model

Black	TLED-11DW-BIK
Brushed Steel	TLED-11DW-BST
White	TLED-11DW-WH



mm's

