

# PRODUCT SPECIFICATIONS

## TLED-12DW



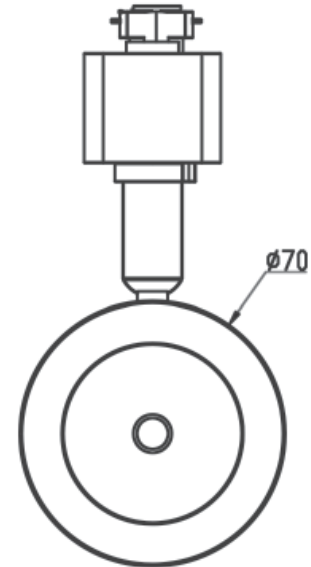
### Description

15 watt DIM-to-WARM Integrated LED Track cylinder

- Directional light source providing 90° vertical aiming capability with 320° horizontal rotation
  - Head length: 5", Dia.: 2.75"
  - OAH: 6" (max.)
  - Sharp LED
  - Dimmer compatible (with TRIAC controls)
  - Dims from 3000K to 2000K
  - 38° beam spread - 20° and 60° degree lenses available
- Model #'s: **BSL5-20** and **BSL5-60**

### LED info:

|      |       |
|------|-------|
| W    | 15    |
| CCT  | 2800K |
| lm   | 900   |
| lm/W | 54    |
| CRI  | 95+   |



mm's

120V, 60Hz, 15W.

Conforms to UL Std. 1574

Certified to CSA Standard C22.2 No. 9.0

**CAUTION** - To reduce the risk of fire and electric shock, use only with KL track "T2, T4, T6, T8" series Track system.

**FOR USE WITH CEILING MOUNTED TRACK ONLY.**

LED light cannot be replaced.

### Available Finishes Model #

|               |                      |
|---------------|----------------------|
| Black         | <b>TLED-12DW-BLK</b> |
| Brushed Steel | <b>TLED-12DW-BST</b> |
| White         | <b>TLED-12DW-WH</b>  |

