



Product Specifications

TLGU-17

Description

Line voltage track head cylinder for use with GU-10 50W bulbs.

- Directional light source providing 90° vertical aiming capability with 315° horizontal rotation
- Re-lamps from the front
- Dimmer compatible
- Lead wires concealed within stem
- Porcelain 120V AC GU-10 base socket

Available Finishes	Model #
Oil Rubbed Bronze	TLGU-17-ORB
Satin Nickel	TLGU-17-SN
White	TLGU-17-WH

Lamp:

GU-10 base JDR type halogen 50W (max.)
Not Included

Input / Output:

120V AC 60Hz



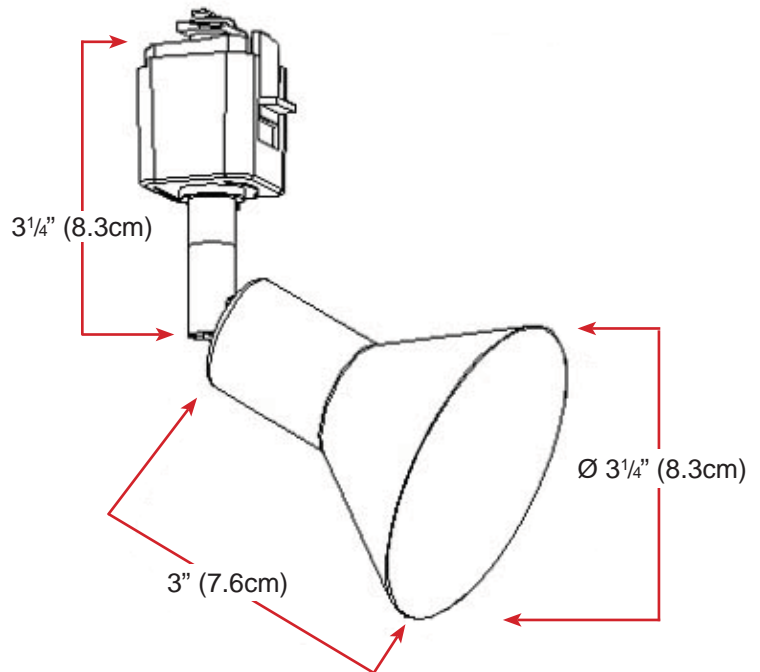
KENDAL LIGHTING INC.

Vancouver Office / Warehouse / Showroom
#110, 6780 Dennett Place, Delta, BC V4G 1N4
Ph: (604)952-5510 • Toll Free: 1-888-306-FANS (3267)
Fax: (604)952-5513 • Toll Free: 1-888-561-8722

Toronto Office / Warehouse / Showroom
#2, 6355 Danville Road, Mississauga, Ontario L5T 2L4
Ph: (905)565-9998 • Toll Free: 1-866-221-5335
Fax: (905)565-8881 • Toll Free: 1-866-844-8406

Edmonton Office / Warehouse
16650 - 114 Avenue, Edmonton, Alberta T5M 3R8
Ph: (780)455-5500 • Toll Free: 1-877-455-5597
Fax: (780)452-1706

Dallas Showroom
Dallas Market Center
2100 Stemmons Freeway, Ste. 4739
Dallas, Texas 75207



Project: _____

Fixture Type: _____

Location: _____

Contact / Phone: _____