

# PRODUCT SPECIFICATIONS

## TIG U-26



### Description

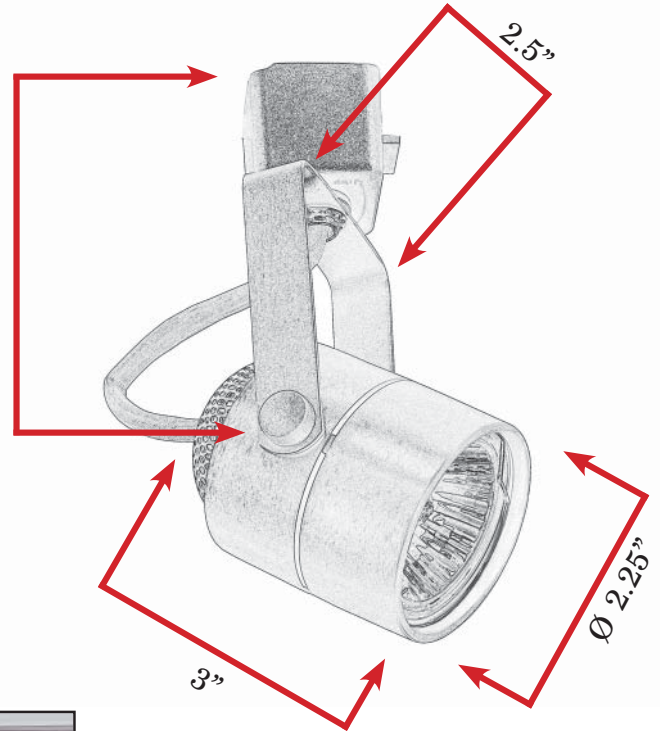
Line voltage track head cylinder for use with GU-10 base lamps.

- Directional light source providing 270° vertical aiming capability with 340° horizontal rotation
- Locking knobs provided
- Dimmer compatible
- Porcelain 120V AC GU-10 base socket
- Overall height: 5.75" max (directed straight down)
- LED compatible

**120V, 60Hz, 50W Maximum**

Conforms to UL Std. 2108

Certified to CSA Standard C22.2 No. 9.0



Available Finishes    Model #

Black	<b>TIG U-26-BIK</b>
Brushed Steel	<b>TIG U-26-BST</b>
White	<b>TIG U-26-WH</b>



Project:	
Fixture Type:	
Location:	
Contact info:	

