



# KT-LED15T8-48G-840-D2

## T8 LED LAMP

### DESCRIPTION

15W T8 LED | 4000K | >80 CRI | High-Efficiency



RoHS Compliant

5 YEAR WARRANTY

<b>LAMP TYPE:</b> Linear
<b>BULB TYPE:</b> T8
<b>BASE TYPE:</b> G13 (Medium Bi-Pin)
<b>WATTAGE:</b> 15W
<b>COLOR TEMPERATURE:</b> 4000K
<b>COLOR RENDERING INDEX (CRI):</b> >80
<b>WARRANTY:</b> 5 Years



### PRODUCT FEATURES

- Replacement for conventional fluorescent lamp
- 50,000+ hour lifetime
- Approximately 40% more energy efficient than standard F32T8 lamps
- Environmentally friendly: No mercury used
- Instant startup
- Frosted lens eliminates pixelation
- Integral driver (isolated) eliminates the need for external driver or ballast
- UL classified
- Not compatible with Keystone AC Emergency Drivers: KT-EMRG-LED-5-500-AC, KT-EMRG-LED-5-500-AC/DF, or KT-EMRG-LED-12-1200-AC

### PERFORMANCE SPECIFICATIONS

Catalog Number	Input Voltage	Input Current	Wattage	Color Temperature	Lumen Output	CRI	Power Factor	Efficacy
KT-LED15T8-48G-840-D2	120-277V	90mA @ 120V; 42mA @ 277V	15W	4000K	2200 lm	>80	>0.9	147 lm/W

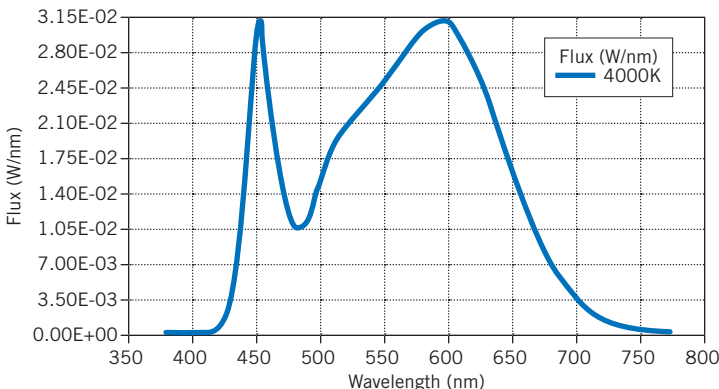
### PHOTOMETRIC CHARACTERISTICS

Color Temperature (CCT)	4000K
Luminous Flux	2200 lm
Color Rendering Index (CRI)	>80
Efficacy	147 lm/W
Beam Angle	240°
Visible Light Area	325°

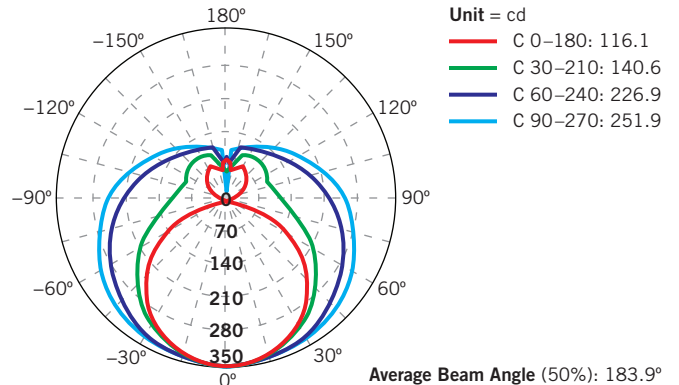
### MECHANICAL CHARACTERISTICS

Rated Life (L70)	50,000 hours
Wiring	Double-ended

### SPECTRAL DISTRIBUTION



### POLAR CANDELA DISTRIBUTION



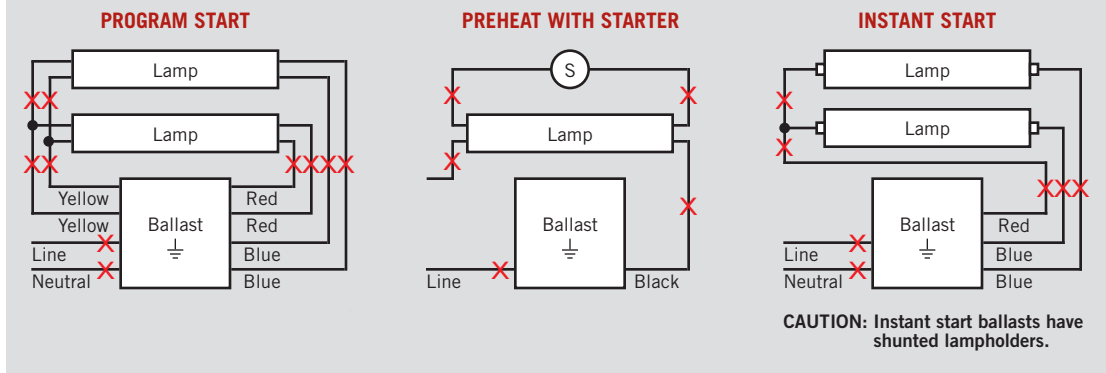
# KT-LED15T8-48G-840-D2

## T8 LED LAMP

### WIRING DIAGRAMS

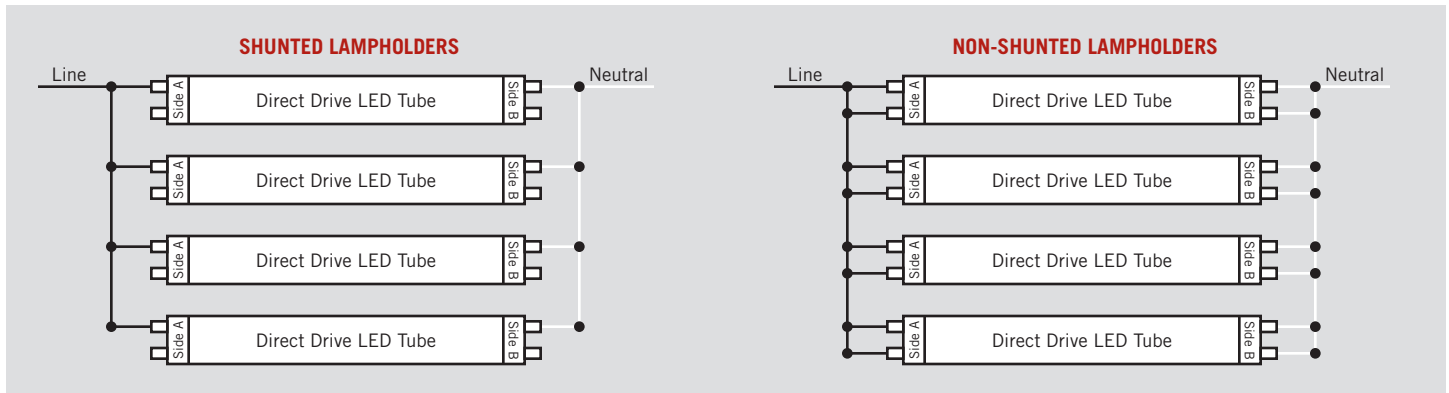
- Cut all existing connections to ballast as shown below and remove ballast. See *Figure A* for typical ballast configurations.

**FIGURE A** TYPICAL BALLAST CONFIGURATIONS



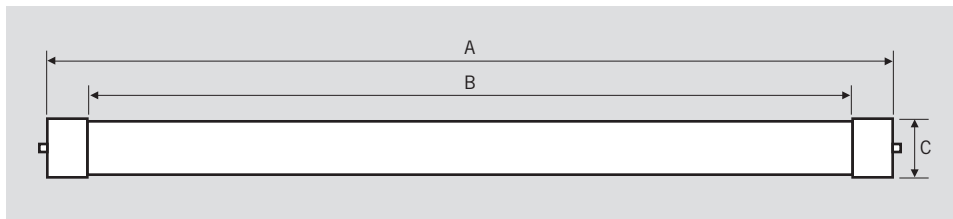
- Re-wire fixture as shown below. For double-ended wiring, use either shunted or nonshunted lampholders.

**NOTE: There should not be any exposed wires at the end of installation.**



**WARNING Not Compatible with Keystone AC Emergency Backups**

### PHYSICAL CHARACTERISTICS



#### LAMP DIMENSIONS

A (Body Length)	47.15"
B (Illuminated Length)	42.63"
C (Diameter)	1.10"

**NOMINAL LENGTH: 48"**

**BASE TYPE: G13 (Medium Bi-Pin)**



# KT-LED15T8-48G-840-D2

T8 LED LAMP

## ORDERING INFORMATION

ORDER CODE	CARTON QUANTITY	UPC	EASY CODE
KT-LED15T8-48G-840-D2	25	843654131054	SZN-98

## CATALOG NUMBER BREAKDOWN

# KT-LED15T8-48G-840-D2

1 2 3 4 5 6 7 8 9

- 1 Keystone Technologies
- 2 LED Lamp
- 3 Wattage
- 4 Lamp Type
- 5 Nominal Length (Inches)
- 6 Glass Construction
- 7 CRI
- 8 Color Temperature
- 9 Double-Ended Wiring