



# KT-LED17PLL-22G-835-D

## PLL LED LAMP

### DESCRIPTION

17W PLL LED | 3500K | >80 CRI | High Efficiency



<b>LAMP TYPE:</b> PLL
<b>BULB TYPE:</b> T8 LED
<b>BASE TYPE:</b> 2G11
<b>WATTAGE:</b> 17W
<b>COLOR TEMPERATURE:</b> 3500K
<b>COLOR RENDERING INDEX (CRI):</b> >80
<b>WARRANTY:</b> 5 Years



### PRODUCT FEATURES

- Replacement for Conventional Fluorescent Lamp
- UL Classified
- 50,000+ Hour Lifetime
- Approximately 50% More Energy Efficient than Standard FT40/2G11 Lamps
- Environmentally Friendly: No Mercury Used
- Integral Driver (Isolated) Eliminates the Need for an External Ballast or Driver
- Instant Startup
- Not Dimmable
- Frosted Lens Eliminates Pixelation
- Operating Temperature: -20°C/-4°F to 45°C/113°F
- 100+ Lumens per Watt (Bare Lamp Efficacy)
- Suitable for Dry and Damp Locations
- NSF Listed: NSF/ANSI Standard 2 - Food Equipment

### OPERATING SPECIFICATIONS

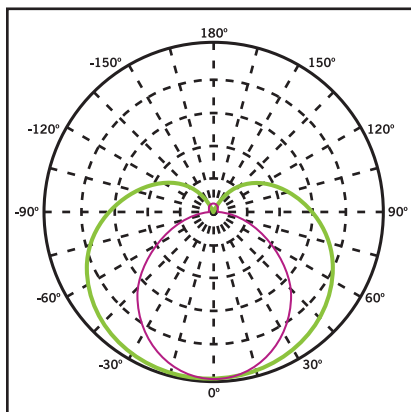
#### ELECTRICAL AND PERFORMANCE CHARACTERISTICS

Input Voltage	CRI	Bare Lamp Wattage	Nominal Lamp Lumens	Beam Angle	Nominal Bare Lamp Efficacy	Power Factor	Max. THD
120-277V	>80	17W	2100	220°	124 lm/W	>0.9	20%

#### RATED LIFE

L70 (Hours)	50,000
-------------	--------

#### POLAR CANDELA DISTRIBUTION



Located at Horizontal Angle = 0,  
Vertical Angle 0

1. Violet Vertical Plane through Horizontal Angles (90-270)

2. Green Vertical Plane through Horizontal Angles (0-180)

**Beam Angle: 220°**

**Visible Light Area: 325°**



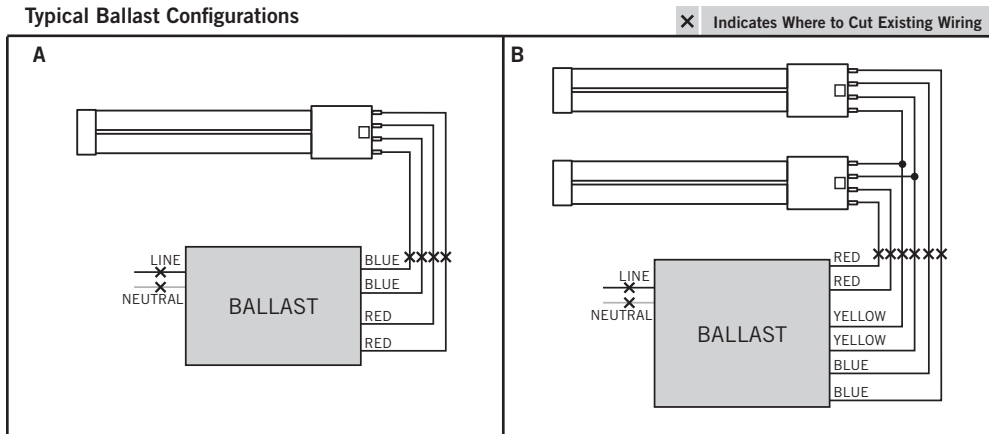
# KT-LED17PLL-22G-835-D

## PLL LED LAMP

### WIRING

Re-wire fixture as shown below.

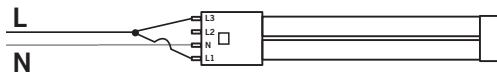
#### Typical Ballast Configurations



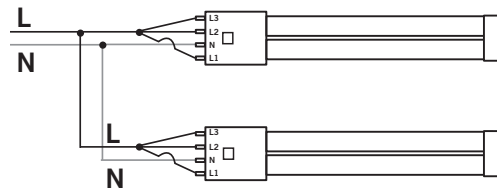
**\*Note**

Lamp(s) will light as long as line input is connected to one of the three pins designated with L# and Neutral is connected to the pin designated with (N). If additional wires are in place from previous installation, ensure all wires are connected as shown in diagram. **Do not leave loose wires exposed.**

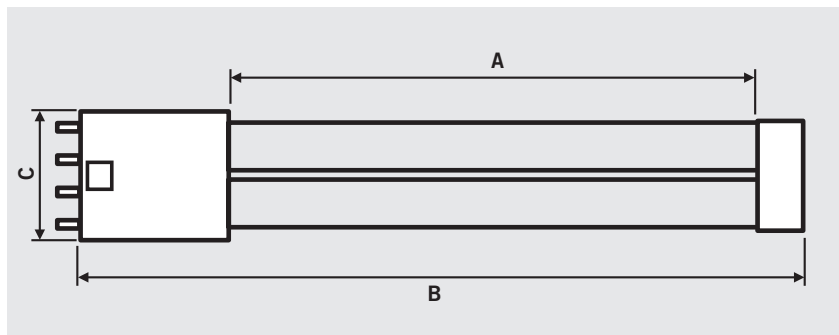
#### Single Lamp



#### Multiple Lamps



### PHYSICAL CHARACTERISTICS



#### LAMP DIMENSIONS

A (Illuminated Length)	19.25"
B (Body Length)	22.31"
D (Width)	1.75"
Base Type	2G11



# KT-LED17PLL-22G-835-D

## PLL LED LAMP

### ORDERING INFORMATION

ORDER CODE	PACKAGING STYLE	PACK QTY.	ITEM STATUS
KT-LED17PLL-22G-835-D-CP	Carton Pack (Egg Crate Packaging)	12	Quick Ship

### CATALOG NUMBER BREAKDOWN

# KT-LED17PLL-22G-835-D-CP

