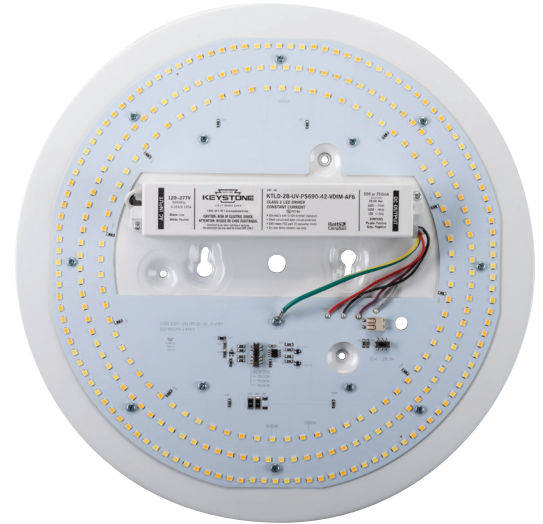




KT-RKIT28PS-13CP-8CSC-VDIM

CIRCULAR POWER/CCT SELECTABLE LED LIGHT ENGINE



DESCRIPTION

13" Circular Power/CCT-Selectable LED Light Engine

PRODUCT FEATURES

- Power and CCT are selectable via DIP switches
- Operating temperature: -20°C/-4°F to 45°C/113°F
- L70 > 50,000 hours
- UL classified
- Meets FCC Part 15, Class B (consumer) limit
- Beam angle: 120°
- THD: <20%
- Dimming: 0-10V
- Minimum dimming level: 10%
- Pre-assembled; mounting accessories included
- Listed on Energy Star's CSD (Certified Subcomponent Database)

PERFORMANCE SPECIFICATIONS

| Catalog Number | Input Voltage | Dimming Type | Selectable Wattage | Selectable CCT | CRI | Total Lumens | System Efficacy |
|----------------------------|---------------|--------------|--------------------|----------------|------|--------------|-----------------|
| KT-RKIT28PS-13CP-8CSC-VDIM | 120-277V | 0-10V | 21W | 3000K | > 80 | 3,100 lm | 148 lm/W |
| | | | | 3500K | > 80 | 3,125 lm | 149 lm/W |
| | | | | 4000K | > 80 | 3,150 lm | 150 lm/W |
| | | | | 5000K | > 80 | 3,200 lm | 152 lm/W |
| | | | 28.5W* | 3000K | > 80 | 4,100 lm | 144 lm/W |
| | | | | 3500K | > 80 | 4,125 lm | 145 lm/W |
| | | | | 4000K | > 80 | 4,150 lm | 146 lm/W |
| | | | | 5000K* | > 80 | 4,200 lm | 147 lm/W |

* Default setting

Note: Color Uniformity: CCT (Correlated Color Temperature) range as per guidelines outlined in ANSI C78.377-2017

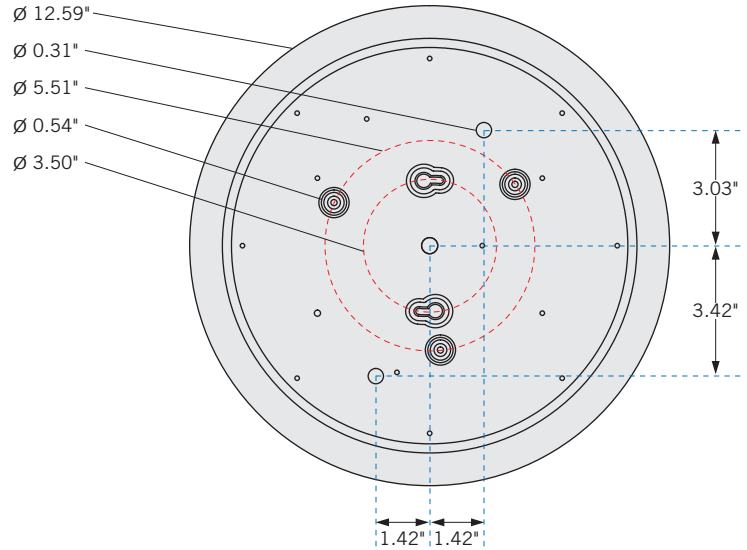
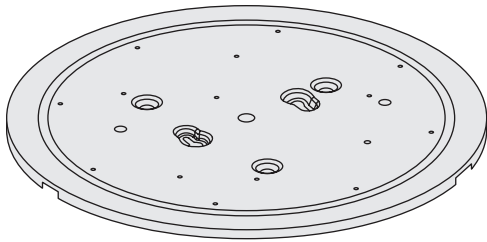


KT-RKIT28PS-13CP-8CSC-VDIM

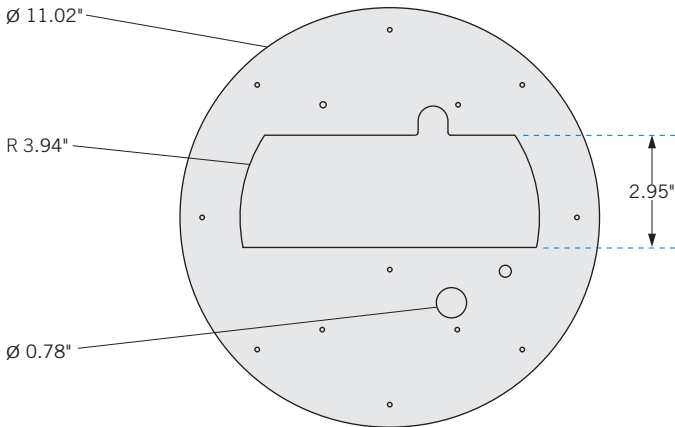
CIRCULAR POWER/CCT SELECTABLE LED LIGHT ENGINE

PHYSICAL SPECIFICATIONS

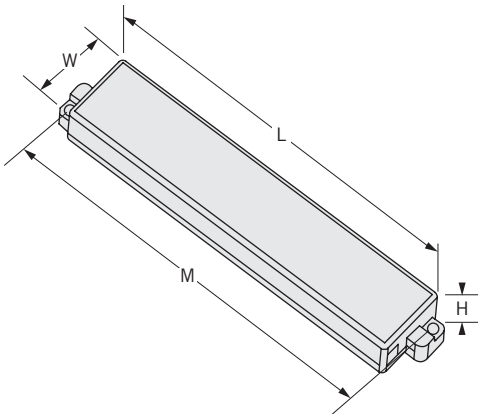
METAL PAN



LED MODULE



LED DRIVER



Dimensions

| | |
|--------------|-------|
| Length (L) | 6.95" |
| Width (W) | 1.30" |
| Height (H) | 0.85" |
| Mounting (M) | 6.65" |



KT-RKIT28PS-13CP-8CSC-VDIM

CIRCULAR POWER/CCT SELECTABLE LED LIGHT ENGINE

ORDERING INFORMATION

| ORDER CODE | PACK QTY. | EASY CODE | UPC |
|----------------------------|-----------|-----------|--------------|
| KT-RKIT28PS-13CP-8CSC-VDIM | 20 | GIB-77 | 843654128115 |

CATALOG NUMBER BREAKDOWN

KT-RKIT28PS-13CP-8CSC-VDIM

1 2 3 4 5 6 7 8 9 10

- 1 Keystone Technologies
- 2 Retrofit Kit
- 3 Wattage
- 4 Power Select
- 5 Size (13")
- 6 Circular Pan
- 7 80 CRI
- 8 Color Select
- 9 Color Select Designation
- 10 0-10V Dimming

9 Color Select Designation

| | |
|---|----------------------------|
| A | 3500K, 4000K, 5000K |
| B | 3000K, 4000K, 5000K |
| C | 3000K, 3500K, 4000K, 5000K |
| D | TBD |