

# KT-VTLED25PS-2A-8CSA-VDIM

## 2' LED VAPOR TIGHT FIXTURE

### DESCRIPTION

2' LED Vapor Tight Fixture | 120 – 277V Input |  
Frosted Lens | 0 – 10V Dimming

### APPLICATION

Used for commercial and industrial rugged  
or outdoor applications



### PRODUCT FEATURES

- Features Keystone Color Select technology. Adjust CCT between 3500K, 4000K, or 5000K
- Features Keystone Power Select technology. Adjust power between 25W, 20W, and 15W
- Powered by Keystone 0 – 10V dimming LED drivers
- Traditional design, narrow body, Vapor Tight fixture, suitable for rugged, demanding applications
- Compatible with Keystone SmartSafe emergency LED drivers
- Compatible with Keystone occupancy sensors
- Ambient operating temperature: -20°C/-4°F to 45°C/122°F
- IP66, suitable for wet location
- ETL Sanitation Listed NSF/ANSI Standard 2 - Food Equipment, Splash Zone (Not for Direct Food Zone)
- THD: < 20%
- Power factor > 0.95

### POWER AND COLOR TEMPERATURE SELECTABILITY

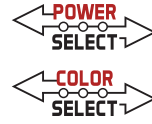
- Keystone Color Select Technology: Adjustable CCT (3500K/4000K/5000K)
- Keystone Power Select Technology: Adjustable Wattage (25W/20W/15W)

### PRODUCT SPECIFICATIONS

Catalog Number	Input Voltage	Wattage	CCT	Lumen Output	Efficacy	CRI	Power Factor	Lifetime
KT-VTLED25PS-2A-8CSA-VDIM	120-277V	25W	3500K	3,250	130 lm/W	> 80	> 0.90	50,000 hrs
			4000K	3,275	131 lm/W			
			5000K	3,300	132 lm/W			
		20W	3500K	2,660	133 lm/W			
			4000K	2,680	134 lm/W			
			5000K	2,700	135 lm/W			
		15W	3500K	2,040	136 lm/W			
			4000K	2,055	137 lm/W			
			5000K	2,070	138 lm/W			

### ONE CATALOG NUMBER WITH 9 DIFFERENT OPTIONS

\* Preset to highest lumen output (25W / 5000K)  
\* Color Uniformity: CCT (Correlated Color Temperature) range as per guidelines outlined in ANSI C78.377-2017.

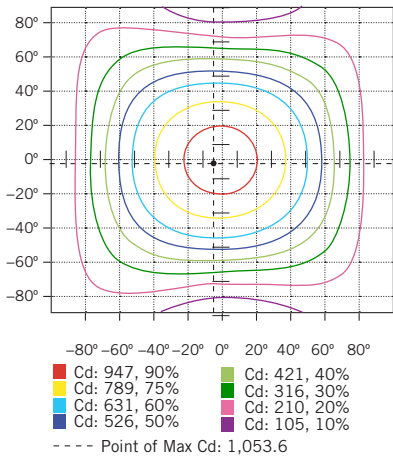


# KT-VTL25PS-2A-8CSA-VDIM

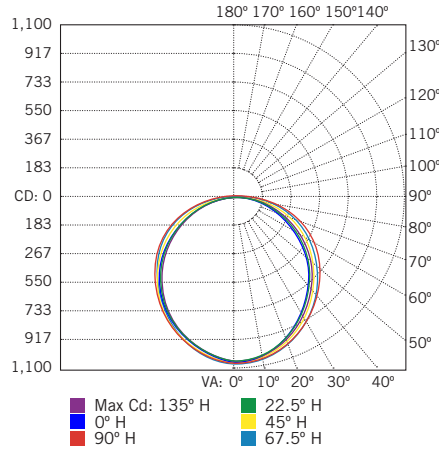
## 2' LED VAPOR TIGHT FIXTURE

### PHOTOMETRIC SPECIFICATIONS

#### ISOCANDELA PLOT



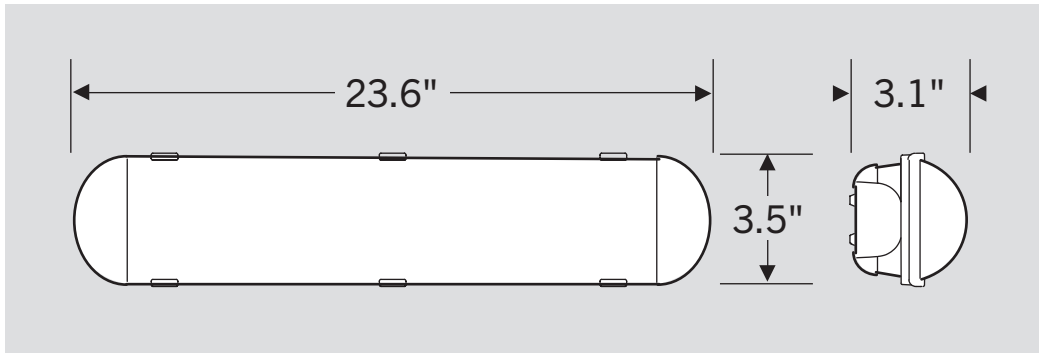
#### POLAR CANDELA DISTRIBUTION

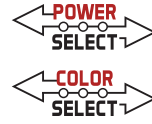


#### ZONAL LUMEN SUMMARY

Zone	Lumens	% Luminaire
0-60	2,303.8	69.50%
60-90	826.9	25.00%
0-90	3,130.8	94.50%
90-180	182.3	5.50%
0-180	3,313.0	100.0%

### PHYSICAL SPECIFICATIONS





# KT-VTLED25PS-2A-8CSA-VDIM

## 2' LED VAPOR TIGHT FIXTURE

**ADDITIONAL ACCESSORIES (SOLD SEPARATELY)**

Catalog Number	Description
KT-VTLED-45SM-1-KIT	45 Deg Surface Mounting Kit for LED Vapor Tight fixtures. Includes two brackets and 4 nuts and bolts.
KT-VTLED-TPSCREW-KIT	Screw for tamper-proofing vapor tight fixture. Includes bag of 14 screws.
KTS-MW3-UV-KO-K2	Microwave Sensor Kit, Includes 120-277V input to 12V DC convertor, IP65 12V input sensor head, nomex sleeve, extension neck

**ORDERING INFORMATION**

Catalog Number	Pack Quantity	Easy Code	UPC
KT-VTLED25PS-2A-8CSA-VDIM	TBD	FZG-95	843654134888

**CATALOG NUMBER BREAKDOWN**

# KT-VTLED25PS-2A-8CSA-VDIM

1
2
3
4
5
6
7
8
9
10
11

- 1** Keystone Technologies
- 2** LED Vapor Tight Fixture
- 3** Wattage
- 4** Power Select
- 5** 2' Nominal Length
- 6** Form Factor
- 7** 800 Series
- 8** Color Select
- 9** Color Select Designation
- 10** 0-10V Dimming
- 11** Sensor Options

**9 Color Select Designation**

A	3500K, 4000K, 5000K
---	---------------------

**11 Sensor Options**

	No Option
/MW	Microwave Sensor included