



ALUMAGROOVE®

KTAG-44L-1400-30-9XX-RJ HIGH EFFICACY LINEAR LED MODULE

DESCRIPTION

High efficacy linear LED modules pre-mounted into aluminum extension via a patented manufacturing method, 44" Long.



RoHS Compliant

5 YEAR WARRANTY



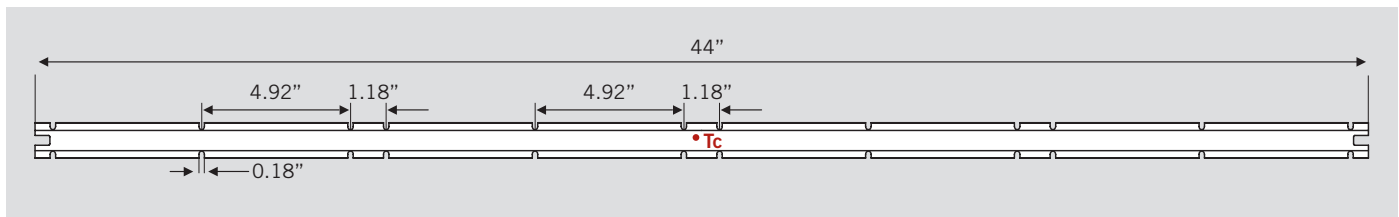
MODULE TYPE: Linear
MAX MODULE POWER: 41.8W
MAX DRIVE CURRENT: 1400mA
COLOR RENDERING INDEX (CRI): >90
RECOMMENDED WIRING: Parallel Connection
WARRANTY: 5 Years

PRODUCT FEATURES

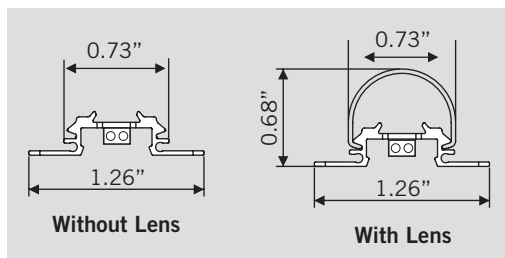
- For Use in Class 2 Lighting Systems Only
- High CRI for Truer Color Rendering
- Optional Lens Accessory
- Completely Heat Sunked, No Additional Heat Sinking Needed to maintain LED lifetime
- Low Profile, Push-In Connectors
- Made with UL Recognized Components
- 5-Step Color Binning
- 2835 LED Chip Package
- Reported Life Expectancy: L70 >54,000 hours at 85°C | L90 48,000 hours at 85°C
- Calculated Life Expectancy: L70 >160,000 hours at 85°C | L90 48,000 hours at 85°C
- Beam Angle: 120°
- Linkable in parallel with different length AlumaGroove Modules

PHYSICAL SPECIFICATIONS

Top View



Side View



KTAG-44L-1400-30-9XX-RJ

HIGH EFFICACY LINEAR LED MODULE

PERFORMANCE SPECIFICATIONS

Drive Current mA	Volts	Watts	3000K				3500K				4000K				5000K			
			WITHOUT LENS		WITH LENS		WITHOUT LENS		WITH LENS		WITHOUT LENS		WITH LENS		WITHOUT LENS		WITH LENS	
			Flux	Efficacy lm/W	Flux	Efficacy lm/W	Flux	Efficacy lm/W	Flux	Efficacy lm/W	Flux	Efficacy	Flux	Efficacy lm/W	Flux	Efficacy	Flux	Efficacy lm/W
1400	29.828	41.8	4687	112.2	4002	95.8	4711	112.8	4022	96.3	4831	115.7	4125	98.8	4930	118.0	4209	100.8
1350	29.710	40.1	4553	113.5	3849	96.0	4576	114.1	3868	96.5	4693	117.0	4007	99.9	4788	119.4	4089	102.0
1300	29.596	38.5	4418	114.8	3738	97.1	4440	115.3	3757	97.6	4553	118.3	3892	101.1	4646	120.7	3971	103.2
1250	29.484	36.9	4280	116.1	3619	98.2	4301	116.7	3638	98.7	4411	119.6	3768	102.2	4501	122.1	3845	104.3
1200	29.369	35.3	4137	117.4	3502	99.4	4158	118.0	3520	99.9	4264	121.0	3647	103.4	4351	123.4	3721	105.6
1150	29.254	33.6	3993	118.7	3383	100.6	4013	119.3	3400	101.1	4115	122.4	3522	104.7	4199	124.9	3594	106.9
1100	29.139	32.1	3850	120.1	3263	101.8	3870	120.7	3279	102.3	3968	123.8	3397	106.0	4049	126.3	3466	108.2
1050	29.028	30.5	3701	121.4	3140	103.0	3720	122.0	3156	103.5	3815	125.1	3269	107.2	3893	127.7	3336	109.4
1000	28.905	28.9	3551	122.8	3010	104.1	3568	123.4	3025	104.6	3659	126.6	3134	108.4	3734	129.2	3198	110.6
950	28.785	27.4	3396	124.1	2882	105.3	3413	124.7	2896	105.9	3500	127.9	3000	109.7	3571	130.5	3061	111.9
900	28.659	25.8	3235	125.5	2749	106.7	3252	126.1	2763	107.2	3334	129.3	2863	111.0	3403	132.0	2921	113.3
850	28.540	24.3	3083	126.9	2617	107.7	3098	127.5	2630	108.2	3177	130.7	2725	112.1	3242	133.4	2780	114.4
800	28.411	22.7	2917	128.4	2473	108.9	2932	129.0	2486	109.4	3007	132.3	2575	113.3	3068	135.0	2627	115.6
750	28.281	21.2	2753	129.8	2338	110.2	2766	130.4	2350	110.8	2837	133.8	2434	114.8	2895	136.5	2484	117.1
700	28.170	19.7	2605	132.1	2211	112.1	2618	132.8	2222	112.7	2685	136.2	2302	116.7	2740	138.9	2349	119.1
650	28.045	18.2	2435	133.6	2067	113.4	2448	134.3	2078	114.0	2510	137.7	2152	118.1	2561	140.5	2196	120.5
600	27.905	16.8	2263	135.1	1922	114.8	2275	135.8	1932	115.3	2333	139.3	2001	119.5	2380	142.1	2042	121.9
550	27.764	15.3	2088	136.7	1774	116.1	2099	137.4	1783	116.7	2152	140.9	1847	120.9	2196	143.7	1884	123.3
500	27.624	13.8	1911	138.2	1623	117.4	1920	138.9	1631	118.0	1969	142.5	1690	122.3	2009	145.4	1724	124.7

Circuit Layout

No. of LED's in Series	No. of LED's in Parallel
10	16

ACCESSORIES

Lens	KTAG-44L-LENS*
------	----------------

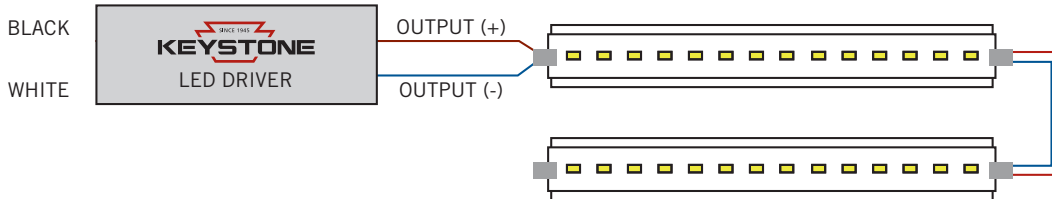
*Polycarbonate, Flammability Rating V-2



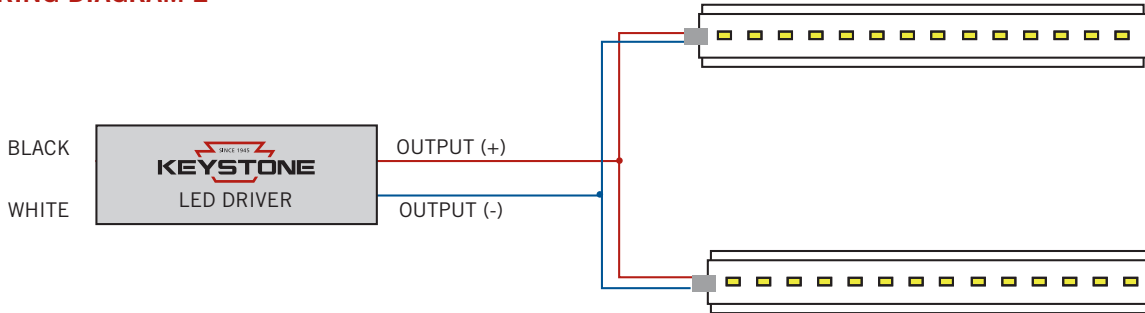
KTAG-44L-1400-30-9XX-RJ

HIGH EFFICACY LINEAR LED MODULE

WIRING DIAGRAM 1*



WIRING DIAGRAM 2*



* Not to exceed a total of 8' total length for end-to-end parallel connections and not to exceed 2A input into any one connector.

ORDERING INFORMATION

Catalog Number	Easy Code	UPC
KTAG-44L-1400-30-927-RJ-CP	ITK-57	843654120546
KTAG-44L-1400-30-930-RJ-CP	IPJ-27	843654120553
KTAG-44L-1400-30-940-RJ-CP	HOI-94	843654120560
KTAG-44L-1400-30-950-RJ-CP	VMI-61	843654120577

CATALOG NUMBER BREAKDOWN

KTAG-44L-1400-30-9XX-RJ

1
2
3
4
5
6
7

- 1 Keystone Technologies AlumaGroove
- 2 Nominal Length
- 3 Max. Drive Current
- 4 Nominal Forward Voltage
- 5 900 Series
- 6 Color Temperature
- 7 Rear-Junction Connection