

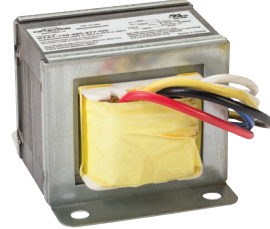


# KTAT-150-480-277-0C

## STEP DOWN AUTO-TRANSFORMER

### DESCRIPTION

Auto-transformer (Non-Isolated) | 480-347V Input | 277V Output



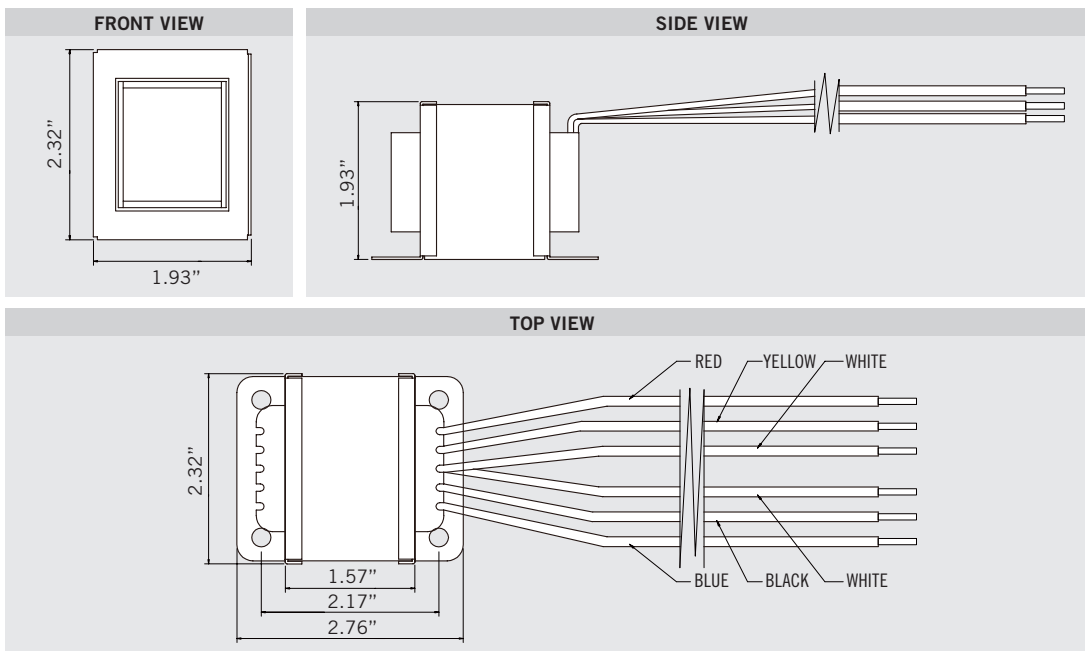
<b>INPUT VOLTAGE:</b> 480/347Vac ± 10%
<b>INPUT FREQUENCY:</b> 50/60 Hz
<b>MAXIMUM POWER:</b> 150VA
<b>WARRANTY:</b> 5 Years

### ELECTRICAL SPECIFICATIONS

<b>Input Voltage Range</b>	480/347Vac ± 10%
<b>Frequency</b>	50/60 Hz
<b>Output Characteristics</b>	150VA @277V output, 125VA @240V output
<b>Max. Input Current</b>	0.33A @480V with 100% load condition / 0.051A @480V with open load condition 0.45A @347V with 100% load condition / 0.061A @347V with open load condition
<b>Efficiency</b>	95% typical
<b>No Load Power Consumption</b>	<8W
<b>Withstand Voltage</b>	Input to output, 2,000Vac, 10mA
<b>Sound Rated</b>	A
<b>UL/cUL</b>	UL 5085
<b>Maximum Case Temperature</b>	105°C/221°F

### PHYSICAL SPECIFICATIONS

<b>Length</b>	2.76"	<b>Mounting</b>	2.17"
<b>Width</b>	2.32"	<b>Unit Weight</b>	1.95 lbs
<b>Height</b>	1.93"	<b>Case Material</b>	Metal





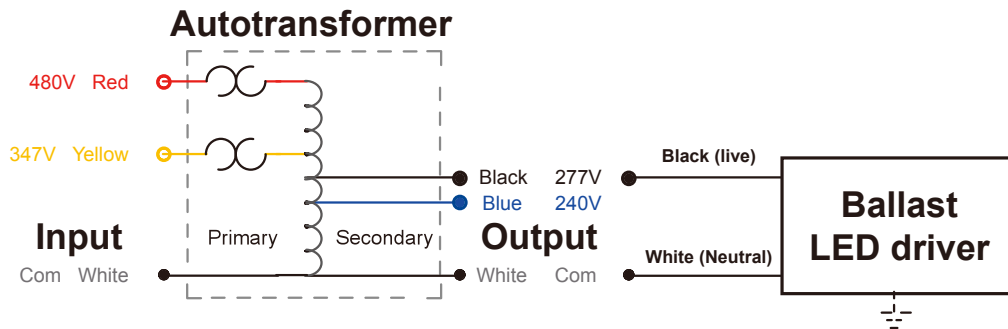
# KTAT-150-480-277-OC

## STEP DOWN AUTO-TRANSFORMER

### WIRING SPECIFICATIONS

<b>Input</b>	14", UL 1316 #18AWG (red, yellow and white)
<b>Output</b>	14", UL 1316 #18AWG (black, blue and white)

### WIRING DIAGRAM



**Note:**

Wiring for 3-Phase Wye (or star) power supply, connect any two phase wires to Autotransformer input.

Wiring for 3-Phase Delta power supply with proper grounding, connect 480V and ground reference legs to Autotransformer input.

### ORDERING INFORMATION

ORDER CODE	PACK QTY.	EASY CODE	UPC
KTAT-150-480-277-OC-CP	18	AJH-09	890949020548

### PACKAGING

<b>Carton Size</b>	11" x 8.6" x 4.7"
<b>Carton Weight</b>	35 lb

### CATALOG NUMBER BREAKDOWN

# KTAT-150-480-277-OC-CP

1

2

3

4

5

5

- 1 Keystone Technologies Auto-Transformer
- 2 Max. Power (VA)
- 3 Input Voltage
- 4 Output Voltage
- 5 Open Core
- 6 Packaging Style