



KTSL-FC2-12V-SM-PIR

BLUETOOTH WIRELESS FIXTURE CONTROLLER AND SENSOR

DESCRIPTION

Bluetooth mesh wireless low voltage individual fixture controller for SmartLoop system with integrated daylight and PIR motion sensors.

APPLICATION

Ideal for small- to medium-size systems, such as schools and offices. Installs directly into 0-10V fixtures with available 12V auxiliary power.



Bluetooth®



PRODUCT FEATURES

- Small form factor for unobtrusive installation
- 0-10V control wires for integration with most commercially available fixtures
- 12VDC input (use driver with 12V aux power)
- Installs via 3/8" drilled hole on fixture sheetmetal. Simply drill, route the wires and threaded collar through, and tighten nut to lock into place.
- Driver should be dim-to-off, no relay control on sensor
- Commissioned via SmartLoop mobile app for iPhone and Android
- Controlled via SmartLoop mobile app, keypad, and sensors
- Utilizes Bluetooth mesh technology for reliable and secure wireless communication
- Power outage recovery defaults to automatic on state
- Indicator LED communicates device status
- UL2043 certified for plenum installations
- Suitable for dry and damp locations

ELECTRICAL SPECIFICATIONS

Input Voltage	10-15VDC
Power Consumption	0.2W
RF Transmit Power	8dBm
Max 0-10V Sinking Current	10mA
Wireless Frequency	2.4GHz
Wireless Range (Open Air)	100m
Wireless Protocol	Bluetooth 4.2
Sensor Detection Height	16' max
Sensor Detection Angle	120°
Daylight Harvesting Range	100-1000 lux

ENVIRONMENTAL SPECIFICATIONS

Operating Temperature	-20°C/-4°F to 60°C/140°F
Storage Temperature	-40°C/-40°F to 85°C/185°F
Humidity	5-95%
Lifetime Rating	>100,000 hrs
Moisture and Dust Rating	Suitable for dry and damp locations

FACTORY SETTINGS

Photo Sensor	Enabled
Motion Sensitivity	100%
Motion Sensor	Enabled
Motion Mode	Occupancy
Hold Time	20m
Standby Time	1m
Standby Percentage	50%

SAFETY AND EMC COMPLIANCE

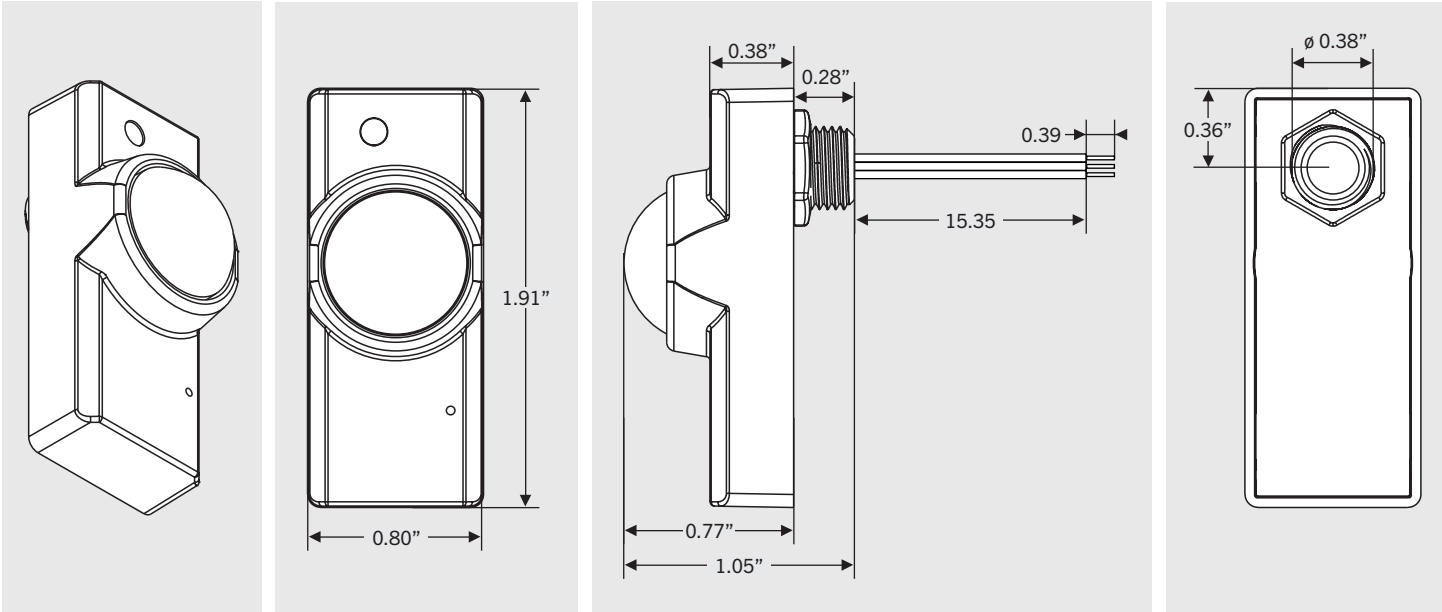
UL/cUL	UL8750, UL2043
FCC	Part 15.247



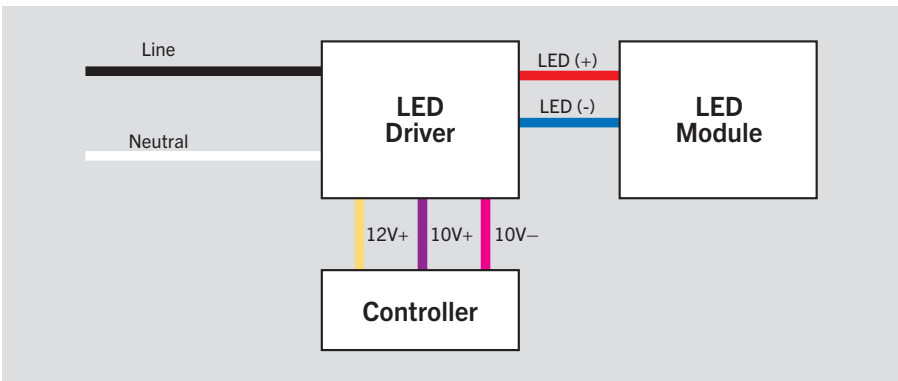
KTSL-FC2-12V-SM-PIR

BLUETOOTH WIRELESS FIXTURE CONTROLLER AND SENSOR

PHYSICAL SPECIFICA-



WIRING DIAGRAM



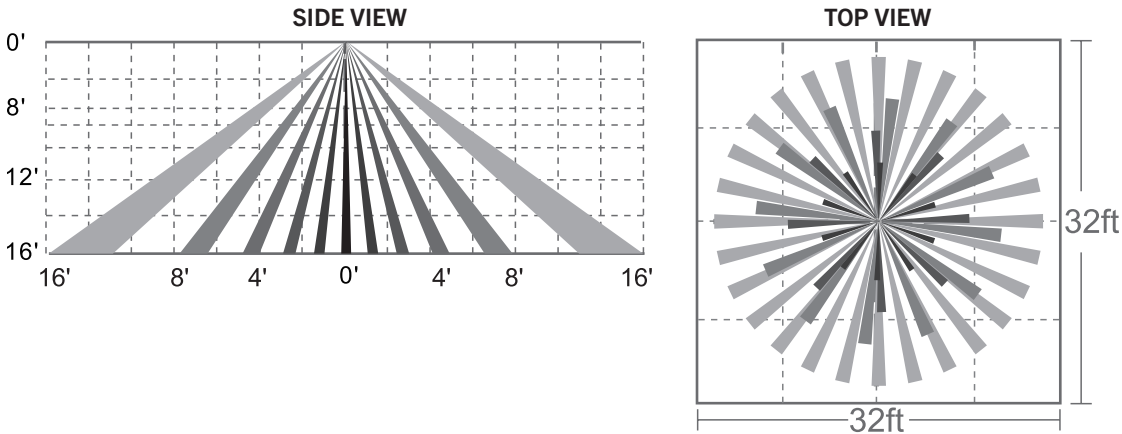
WIRE SPECIFICATIONS

Name	Function	Color	Gauge	Type	Length	Strip Length
+12V	Aux Power	Yellow	22AWG	Stranded	15.35"	0.39"
10V+	Dimming Level	Purple				
10V-	Low Voltage Common	Pink				

KTSL-FC2-12V-SM-PIR

BLUETOOTH WIRELESS FIXTURE CONTROLLER AND SENSOR

LENS COVERAGE



FACTORY RESET

If a controller is assigned to another region, it will not appear when searching for new fixtures. Perform the following power cycle sequence to factory reset the controller:

1. Power on for 1 second, then off for 10 seconds.
2. Power on for 1 second, then off for 10 seconds.
3. Power on for 1 second, then off for 10 seconds.
4. Power on for 10 seconds, then off for 10 seconds.
5. Power on for 10 seconds, then off for 10 seconds.
6. Turn the fixture back on. The device should now be decommissioned and ready to add to a region.

ORDERING INFORMATION

ORDER CODE	PACK QTY.	EASY CODE	UPC
KTSL-FC2-12V-SM-PIR	54	TCM-01	843654135236

CATALOG NUMBER BREAKDOWN

KTSL-FC2-12V-SM-PIR

1

2

3

4

5

6

- 1 Keystone Technologies SmartLoop
- 2 Fixture Controller
- 3 Design Style 2
- 4 Low Voltage
- 5 Surface Mount
- 6 PIR Sensor Type