

SYLVANIA Luminaires

Hi-PerformanceLED™ Slim Downlight Selectable

Application

The SYLVANIA Hi-PerformanceLED Slim Downlight is a new slim luminaire generation, focused on lighting efficiency and modern design. This luminaire offers energy savings up to 86% and high quality color reproduction (CRI 90). Select your lighting brightness thanks to its phase-cut dimming from 10% to 100%. This luminaire was designed for residential, hospitality, retail and other low bay applications. Get the easiest installation with the hybrid installation style: screw base and torsion springs for recessed cans, and hardwire with mounting plate for flush ceiling mount.

Benefits and Features

- Modern, slim form provides updates from traditional designs
- No warm up time, instant on with full light and consistent lamp to lamp color
- Up to 71 LPW
- 5 CCT selectable
- CRI >90
- Offered in 9, 12, 17 or 21 watts
- Uniform, glare free illumination distribution
- Energy savings up to 86%
- Damp Rated

Electrical

- 120VAC
- Power Factor 90%
- Phase-cut dimmable

Rated Life

- 50,000 hours (L₇₀)

Warranty

- 5-year

Ambient Operating Range

- -4°F to +104°F (-20°C to +40°C)

Item #
Type
Project
Notes
Date



Wattage Comparison

Traditional Source	Traditional System Wattage	LED System Wattage	Energy Savings
Incandescent	65	9	86%
Incandescent	75	12	84%
Incandescent	100	17	83%
Incandescent	150	21	86%

Certifications and Listings

- cETLus
- RoHS
- FCC
- ENERGY STAR®
- T24

Installation

- Hardwire (easy snap with mounting plate included).
- Screw-base (E26 socket and torsion springs included for recessed can).
 - 12" size: due to heavy weight, torsion springs are not available.
 - 5" size does not accept torsion springs due to the small size.



Ordering Guide

LED	SLMDNL	XX	R	XXXX	S	T	9	SC3
LED	Slim Downlight	Diameter 5", 7", 9" or 12"	Shape R = Round	Lumens 650, 850, 1200 or 1500lm	Single Voltage	Phase cut dimming (Triac)	CRI >90	Color Temperature Selectable 2700K/3000K/3500K/ 4000K/5000K

Ordering Information

Item Number	Ordering Abbreviation	Power (W)	Base Type	Replaces	Input Voltage (V)	Average Life (hrs)	CCT	Typical Lumens (lm)	CRI	Power Factor	Bulb Finish	Case Qty	ENERGY STAR®	T20	T24
62033	LEDSLMDNL5R650ST9SC3	9	Screw base	65W	120	50,000	2700/3000/3500/ 4000/5000K	650	>90	>90	Frosted	4	Yes	No	Yes
62034	LEDSLMDNL7R850ST9SC3	12	Screw base	75W	120	50,000	2700/3000/3500/ 4000/5000K	850	>90	>90	Frosted	4	Yes	No	Yes
62035	LEDSLMDNL9R1200ST9SC3	17	Screw base	100W	120	50,000	2700/3000/3500/ 4000/5000K	1200	>90	>90	Frosted	4	Yes	No	Yes
62036	LEDSLMDNL12R1500ST9SC3	21	Screw base	150W	120	50,000	2700/3000/3500/ 4000/5000K	1500	>90	>90	Frosted	4	Yes	No	Yes

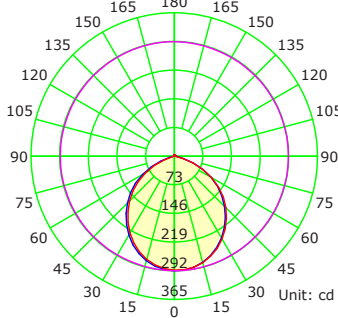
Energy Savings

Basic Product Description	LED Life (hrs)	LED Lumens	Similar Incandescent (hrs)	Incandescent Lumens	Watts Saved	Energy Savings*	LED Life vs Incandescent
LEDSLMDNL5R650ST9SC3	50,000	650	2000	600	56	\$308	25x
LEDSLMDNL7R850ST9SC3	50,000	850	2000	750	63	\$347	25x
LEDSLMDNL9R1200ST9SC3	50,000	1200	2000	1000	83	\$457	25x
LEDSLMDNL12R1500ST9SC3	50,000	1500	2000	1500	129	\$710	25x

*Energy savings over life of lamp calculated at \$0.11/kWh

Photometric Information

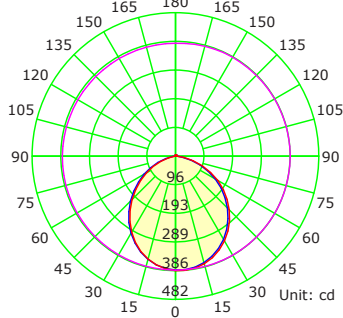
9W



Average Diffuse Angle(50%): 102.3°

— C0-C180 — C90-C270 — G0

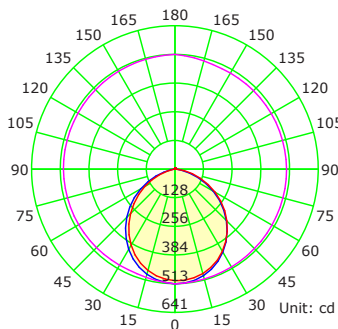
12W



Average Diffuse Angle(50%): 102.9°

— C0-C180 — C90-C270 — G5

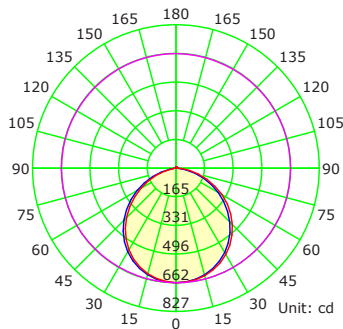
17W



Average Diffuse Angle(50%): 104.2°

— C0-C180 — C90-C270 — G0

21W

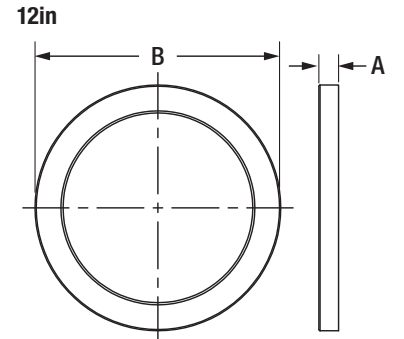
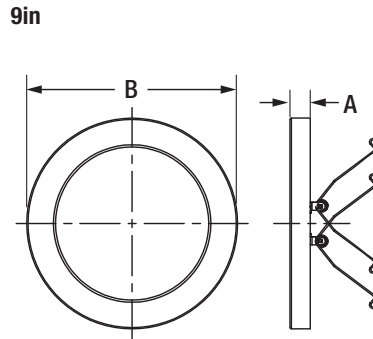
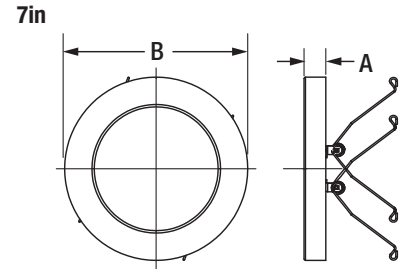
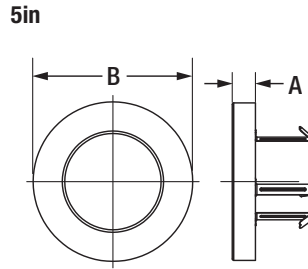


Average Diffuse Angle(50%): 109.4°

— C0-C180 — C90-C270 — G0

Physical Information

Lamp Description	(A) Height (in)	(B) Diameter (in)
LEDSLMDNL5R650ST9SC3	.82	5
LEDSLMDNL7R850ST9SC3	.82	7
LEDSLMDNL9R1200ST9SC3	.82	9
LEDSLMDNL12R1500ST9SC3	.82	12



LEDVANCE LLC
 200 Ballardvale Street
 Wilmington, MA 01887 USA
 Phone 1-800-LIGHTBULB (1-800-544-4828)
 www.sylvania.com

SYLVANIA and LEDVANCE are registered trademarks.
 All other trademarks are those of their respective owners.
 Licensee of product trademark SYLVANIA in general lighting.
 Specifications subject to change without notice.

 /sylvania  /sylvania

Name: _____
 Email: _____
 Phone: _____

