

METALARC®

General Purpose Metal Halide Lamps



STANDARD METALARC lamps are an economical choice for a high efficacy, long life, white light source.

SYLVANIA STANDARD METALARC lamps are offered in a range of wattages from 175 to 1500 watts. This family of lamps allows for design flexibility with multiple light source solutions to choose from. Lamps with universal operating position allow for a wider range of applications. In addition, METALARC lamps have significantly higher efficacy than mercury vapor or incandescent and considerably better CRI than mercury vapor and high pressure sodium. METALARC PRO-TECH® lamps for use in open fixtures are available.

COMPACT METALARC 175, 250 & 400 watt lamps provide increased system efficiency, due to a smaller outer jacket that enables operation in a reduced fixture profile with higher system efficiency. The reduced bulb diameter allows the fixture designer to locate the lamp arc tube closer to the reflector, thereby increasing fixture efficiency.

SUPER METALARC lamps provide a higher light output than comparable standard metal halide lamps.

Application Information

Applications

- Area lighting
- Canopy lighting
- Industrial and commercial
- Parking lots
- Retail facilities
- Shopping malls
- Sports lighting
- Street lighting
- Warehouses

Application Notes

1. Lamps are rated for use in enclosed fixtures.
2. Most are designed for universal burning positions.

Key Features & Benefits

- Broad range available – up to 1500W
- Well-balanced white light
- Multiple choices allow design flexibility
- Low initial costs
- Universal operating position on most types
- Lead-free base and lead-free glass
- Available in clear and coated
- SUPER METALARC lamps offer increased light output up to 105 LPW
- Compact METALARC lamps offer increased system efficiency for smaller luminaires

Product Offering

Wattage	Bulb Shape	Finish
175	ED17/ED28	Clear, Coated
250	ED18/ED28/BT28	Clear, Coated
400	ED18/ED28/ED37	Clear, Coated
1000	BT37/BT56	Clear, Coated
1500	BT56	Clear

Fixtures

Contact your local fixture agent for available fixtures.

Ballast Information

Lamps are approved for use on systems meeting the respective ANSI standard (see Ordering and Specification Information section for more details).



Specification Data

Catalog #	Type
Project	
Comments	
Prepared by	

Ordering Information

Item Number	Ordering Abbreviation	Watts	Bulb	Base ¹	ANSI Code*	Avg. Rated Life (hrs)	Initial Lumens	Mean Lumens	CRI	CCT	LPW
64480	M175/C/U/MED	175	ED17	E26	M57/E	10,000V 7,500H	13,000V 11,080H	6,100V 6,100H	65	3700K	74 63
64479	M175/U/MED	175	ED17	E26	M57/E	10,000V 7,500H	14,400V 12,800H	7,000V 7,000H	65	4000K	82 73
64030	M175/U/ED28	175	ED28	E39	M57/E	10,000V 7,500H	14,400V 12,800H	9,300V 9,300H	65	4000K	82 73
64031	M175/C/U/ED28	175	ED28	E39	M57/E	10,000V 7,500H	14,400V 12,000H	8,400V 8,400H	65	3700K	82 73
64474	M250/U/ED18	250	ED18	E39	M58/E	10,000V 7,500H	21,500V 20,000H	14,300V 13,000H	65	4000K	86 80
64032	M250/U/ED28	250	ED28	E39	M58/E	10,000V 7,500H	21,500V 19,300H	14,700V 13,000H	65	4000K	86 77
64033	M250/C/U/ED28	250	ED28	E39	M58/E	10,000V 7,500H	21,000V 18,900H	14,500V 13,000H	65	3700K	84 76
64448	MS250/HOR	250	BT28	POM ³	M58/E	10,000	23,000	15,000	65	4200K	92
64575	M400/U/ED18	400	ED18	E39	M59/E	20,000V 15,000H	36,000V 33,000H	23,400V 21,500H	65	4000K	90 83
64034	M400/U/ED28	400	ED28	E39	M59/E	20,000V 15,000H	36,000V 32,000H	22,000V 19,000H	65	4000K	90 80
64035	M400/C/U/ED28	400	ED28	E39	M59/E	20,000V 15,000H	36,000V 32,000H	21,000V 18,700H	65	3700K	90 80
64036	M400/U/ED37	400	ED37	E39	M59/E	20,000V 15,000H	36,000V 32,000H	23,500V 20,500H	65	4000K	90 80
64037	M400/C/U/ED37	400	ED37	E39	M59/E	20,000V 15,000H	36,000V 32,000H	22,500V 20,500H	65	3700K	90 80
64445	MS400/HOR	400	ED37	POM ³	M59/E	20,000	38,000	25,000	65	4200K	95
64038	MS400/BU-ONLY/ED37	400	ED37	E39	M59/E	20,000	42,000	26,000	65	4000K	105
64039	MS400/C/BU-ONLY/ED37	400	ED37	E39	M59/E	20,000	41,000	24,700	65	3700K	103
64469	M1000/U/BT37	1000	BT37	E39	M47/E	15,000V 9,000H	110,000V 99,000H	86,000V 77,500H	65	4000K	110 99
64468	M1000/U	1000	BT56	E39	M47/E	15,000V 12,000H	110,000V 99,000H	85,000V 76,500H	65	4000K	110 99
64470	M1000/C/U	1000	BT56	E39	M47/E	15,000V 12,000H	105,000V 94,500H	78,000V 70,000H	65	3400K	105 95
64431	M1500/BU-HOR	1500	BT56	E39	M48/E	3000 ²	170,000V 153,000H	140,000V 127,400H	65	4000K	113 102

*Please be advised that beginning Fall 2019, all lamps that were previously listed as S-rated for open/enclosed fixtures will transition to E-rated for enclosed fixtures only – as indicated on lamp etch and packaging.

Notes:

- For lamp wattages of 360W and greater, it is recommended that lampholders with nickel-plated copper alloy center contacts (with spring) should be used rather than electrical contacts made of stainless steel.
- Published rated life based on 5 hours per start. Life rating will increase to 6,000 hours if operated for at least 11 hours per start in the base up position.
- Position-Oriented Mogul base.

Ordering Information

XX	XXXX	/	C	/	X	/	X
Lamp Type: M = Standard METALARC® MS = SUPER METALARC®	Wattage: 175, 250, 400, 1000 and 1500W		Finish: ___ = Clear C = Coated		Operating Position: U = Universal BU-ONLY = Base up BU-HOR = Base up to horizontal HOR = Horizontal		Bulb Shape: ED18, ED28, ED37 and BT37

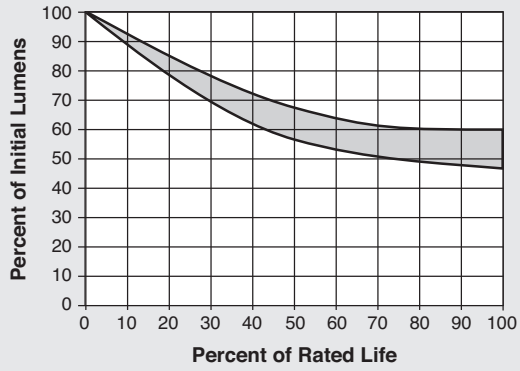
Lamp Comparison

SUPER METALARC versus Standard METALARC

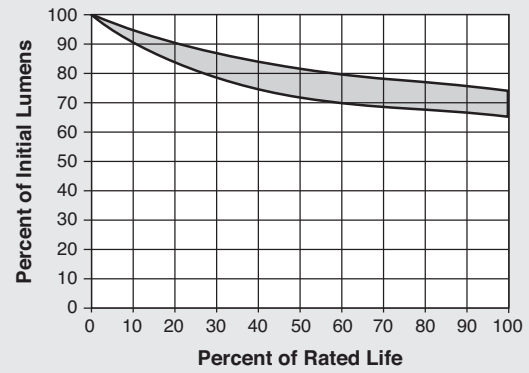
Lamp Type	Efficacy	Initial Lumens	Mean Lumens	Avg. Rated Life (hrs)
SUPER METALARC MS400/BU-ONLY/ED37	105	42,000	26,000	20,000
Standard METALARC M400/U/ED37	90	36,000	23,500	20,000

Technical Information

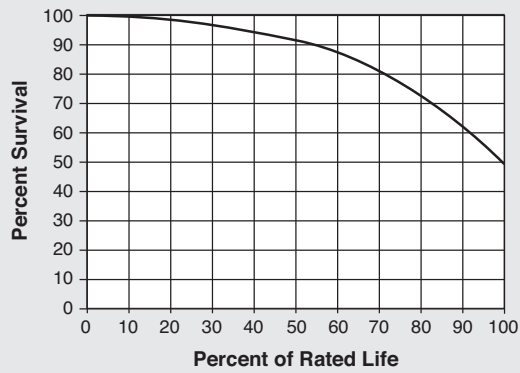
Typical Lumen Depreciation
(except 1000W and 1500W)



1000W and 1500W METALARC

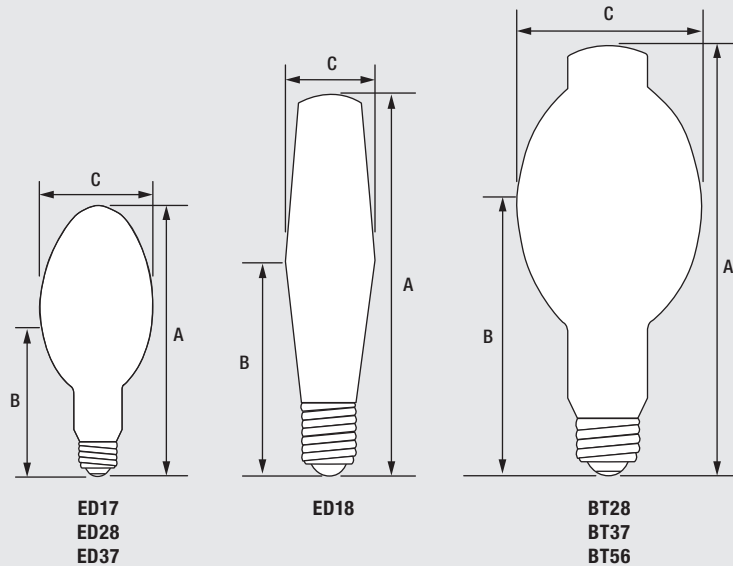


Typical Survival Curve



Lamp Dimensions

Bulb Shape	(A) MOL (inches)	(B) LCL (inches)	(C) Bulb Diameter (inches)
ED17	5.4	3.4	2.1
ED18	9.8	5.8	2.3
ED28 / BT28	8.3	5.0	3.5
ED37 / BT37	11.5	7.0	4.6
BT56	15.4	9.5	7.0



Sample Specification

Lamp(s) shall be (a) METALARC® metal halide lamp(s) rated for universal operating positions and constructed with a lead-free base and lead-free glass..

Safety Information

WARNING: This lamp can cause serious skin burns and eye inflammation from shortwave ultraviolet radiation if the outer envelope of the lamp is broken or punctured. Do not use where people will remain for more than a few minutes unless adequate shielding or other safety precautions are used. Lamps that will automatically extinguish when the outer envelope is broken or punctured are commercially available. This product conforms to the following federal regulations: U.S.A.: 21 CFR 1040.30 and CANADA: SOR/80-381.

Related Literature

For information on low wattage metal halide or open fixture rated METALARC PRO-TECH® lamps, see Product Information Bulletin HID059 and/or HID058. Lamps are also available as energy saving METALARC SUPERSAVER®. Contact your LEDVANCE representative for information.

LEDVANCE LLC
200 Ballardvale Street
Wilmington, MA 01887 USA
Phone 1-800-LIGHTBULB (1-800-544-4828)
www.sylvania.com

SYLVANIA and LEDVANCE are registered trademarks.
All other trademarks are those of their respective owners.
Licensee of product trademark SYLVANIA in general lighting.
Specifications subject to change without notice.

