

METALARC PRO-TECH® POWERBALL® ECOLOGIC®

High CRI, Ceramic Metal Halide PAR Lamps



METALARC PRO-TECH POWERBALL ECOLOGIC lamps meet today's color critical needs by combining conventional metal halide pulse start characteristics such as good efficacy and long life with improved lamp-to-lamp color consistency and high CRI.

Compared to conventional quartz metal halide products, SYLVANIA ceramic arc tube metal halide lamps exhibit less color variation and higher efficacy. Their high mean lumens, excellent color characteristics and compact size allow them to be used in a wide variety of applications.

METALARC PRO-TECH POWERBALL ECOLOGIC lamps operate on existing ANSI specified magnetic ballasts and on compatible electronic ballasts. The lamps can be used in appropriate existing fixtures designed for metal halide lamps of similar wattages and configurations.

Application Information

Applications

- Accent lighting
- Display lighting
- Landscape lighting
- Lobbies
- Malls
- Office areas
- Retail stores
- Studio lighting

Fixtures

Contact your local fixture agent for available fixtures.

Ballast Information

Contact your SYLVANIA representative for a list of compatible electronic control systems.

Key Features & Benefits

- Excellent CRI, up to 95, yields more natural colors
- Offers up to 15,000 hours rated average life and last 5X longer than halogen lamps
- Lower thermal output than tungsten halogen lamps having similar light output
- Superior color stability over the life of the lamp
- Improved lamp-to-lamp color consistency*
- METALARC PRO-TECH design for open fixture applications
- Open fixture rated products improve fixture efficiency and simplify maintenance
- UV-Stop technology significantly reduces UV output and minimizes discoloration and fading of materials
- Pulse start arc tube technology
- Ideal for open recessed cans or track lighting fixtures

ECOLOGIC® is a comprehensive program focused on addressing environmental issues at all stages of lamp life.

SYLVANIA METALARC PRO-TECH POWERBALL ECOLOGIC lamps are designed to pass the Federal Toxic Characteristic Leaching Procedure (TCLP) criteria for classification as non-hazardous waste in most states.²



*Compared to quartz metal halide lamps of similar wattage

1. TCLP test results are based on NEMA LL Series standards and are available on request.
2. Regulations may vary. Check your local and state regulations

Product Offering

Wattage	Bulb Shape
20	PAR20, PAR30LN
39	PAR20, PAR30LN
70	PAR30LN, PAR38
100	PAR38
150	PAR38

Application Notes

1. METALARC PRO-TECH POWERBALL Ceramic PAR20, PAR30LN and PAR38 lamps are rated for use in both open and enclosed fixtures.



Catalog #	Type
Project	
Comments	
Prepared by	

Ordering Information

Item Number	Ordering Abbreviation	Watts	Bulb	Base	ANSI Code ⁴	Average Rated Life (hrs.)	Initial Lumens	Initial MBCP (cd)	Beam Angle	CCT	CRI
64264*	MCP39PAR20/U/830/SP/ECO PB ^{1,2}	39	PAR20	Med.	C130/O	12,000	2,000	18,500	10°	3000K	87
64265*	MCP39PAR20/U/830/FL/ECO PB ^{1,2}	39	PAR20	Med.	C130/O	12,000	2,000	5,000	30°	3000K	87
64269*	MCP39PAR30LN/U/830/SP/ECO PB ^{1,2}	39	PAR30LN	Med.	C130/O	15,000	2,300	39,600	10°	3000K	85
64270*	MCP39PAR30LN/U/830/FL/ECO PB ^{1,2}	39	PAR30LN	Med.	C130/O	15,000	2,300	8,000	30°	3000K	85
64273*	MCP70PAR30LN/U/930/SP/ECO PB ^{1,2}	70	PAR30LN	Med.	C139/O	15,000	3,600	42,000	12°	3000K	90
64274*	MCP70PAR30LN/U/930/FL/ECO PB ^{1,2}	70	PAR30LN	Med.	C139/O	15,000	3,600	12,000	30°	3000K	90
64749	MCP70PAR38/U/830/SP/ECO PB ³	70	PAR38	Med. Skt.	C98/O	15,000	4,300	40,000	15°	3000K	88
64750	MCP70PAR38/U/830/FL/ECO PB ³	70	PAR38	Med. Skt.	C98/O	15,000	4,300	15,500	25°	3000K	88
64751	MCP70PAR38/U/830/VWFL/ECO PB ³	70	PAR38	Med. Skt.	C98/O	15,000	4,300	3,500	65°	3000K	88
64752	MCP100PAR38/U/830/SP/ECO PB ³	100	PAR38	Med. Skt.	C90/O	15,000	6,500	49,500	15°	3000K	88
64753	MCP100PAR38/U/830/FL/ECO PB ³	100	PAR38	Med. Skt.	C90/O	15,000	6,500	25,000	25°	3000K	88
64754	MCP100PAR38/U/830/VWFL/ECO PB ³	100	PAR38	Med. Skt.	C90/O	15,000	6,500	6,000	60°	3000K	88
64841	MCP150PAR38/U/830/SP/ECO PB ³	150	PAR38	Med. Skt.	C102/O	15,000	9,100	50,000	15°	3000K	88
64842	MCP150PAR38/U/830/FL/ECO PB ³	150	PAR38	Med. Skt.	C102/O	15,000	9,100	28,000	25°	3000K	88

64264 formerly 64824, 64265 formerly 64826, 64269 formerly 64880, 64270 formerly 64881, 64273 formerly 64201, 64274 formerly 64202

Notes:

- The circuit must include overcurrent protection (i.e., Thermally Switched Ballast).
- Minimum open circuit voltage for starting is measured with the ignitor in the circuit, minimum open circuit voltage is 209 VRMS.
- Lamps with medium skirt code are not compatible with exclusionary medium sockets.
- The first letter of the ANSI code represents the lamp type; "C" for ceramic metal halide and "M" for quartz metal halide. The numbers following the lamp type refer to the electrical characteristics required by the ballast to start and operate the lamp reliably. Ceramic, "C", or quartz, "M" lamps with the same electrical characteristic number will operate on the same ballast (per ANSI C78.380-2007). For example, a 150W ceramic lamp with a C102 designation will operate on a ballast intended for a 150W quartz lamp with an M102 designation.
- Designed for operation only on electronic ballasts.

General Notes:

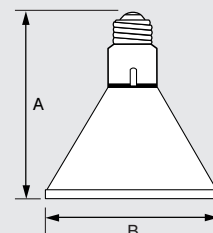
- Contact your local OSRAM SYLVANIA representative for compatible electronic ballasts.
- All ceramic lamps should be used with 4000V pulse rated socket only

Ordering Guide

MCP	39	PAR30LN	/	U	/	830	/	SP	/	ECO	PB
M = METALARC®	Wattage:	Bulb Shape:		Operating position:		8 = 80+ CRI		Beam Spread		ECOLOGIC®	PB = POWERBALL®
C = CERAMIC	20, 39, 70,	PAR20, PAR30LN				9 = 90+ CRI		SP = Spot, FL = Flood,			
P = Protected (METALARC PRO-TECH®)	100, 150	PAR38		Universal		30 = 3000K, 3100K CCT		NFL = Narrow Flood,			
						40 = 4200K CCT		VWFL = Wide Flood			

Dimensions

	(A) MOL	(B) Bulb Diameter
PAR20	3.65" (92.7 mm)	2.54" (64.5 mm)
PAR30LN	4.76" (120.9 mm)	3.75" (95.3 mm)
PAR38	5.32" (135.1 mm)	4.76" (120.9 mm)

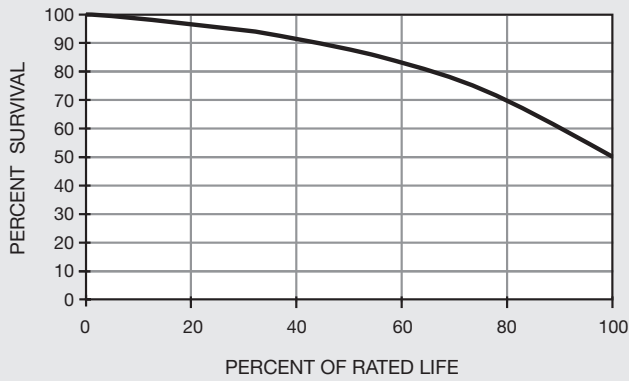


Safety Information

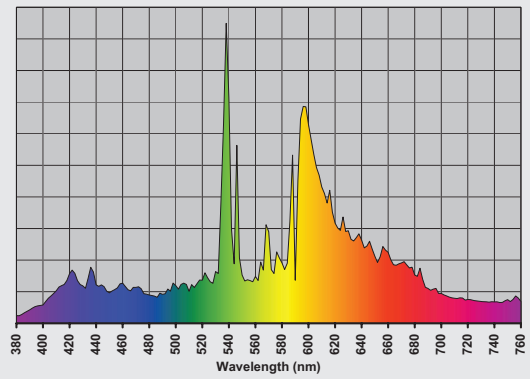
WARNING: This lamp can cause serious skin burn and eye inflammation from shortwave ultraviolet radiation if the outer envelope of the lamp is broken or punctured. Do not use where people will remain for more than a few minutes unless adequate shielding or other safety precautions are used. Lamps that will automatically extinguish when the outer envelope is broken or punctured are commercially available.

Technical Information

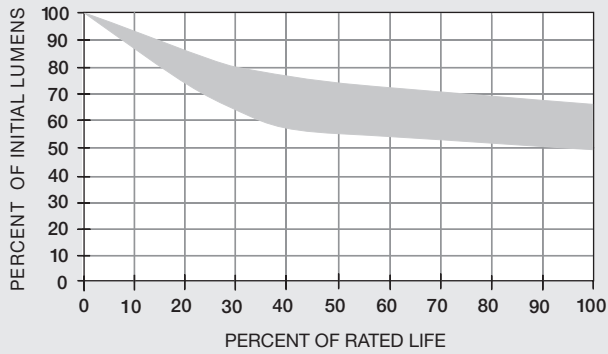
Typical Mortality Curve



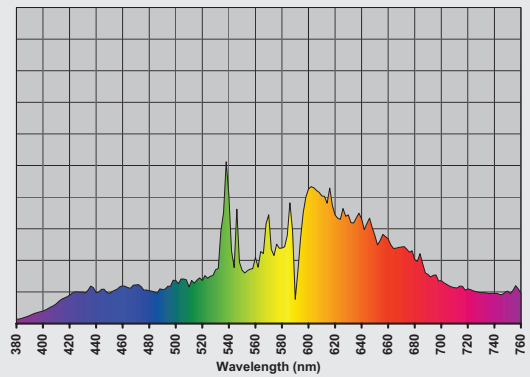
Typical Spectral Power Distribution (CRI = 80+)



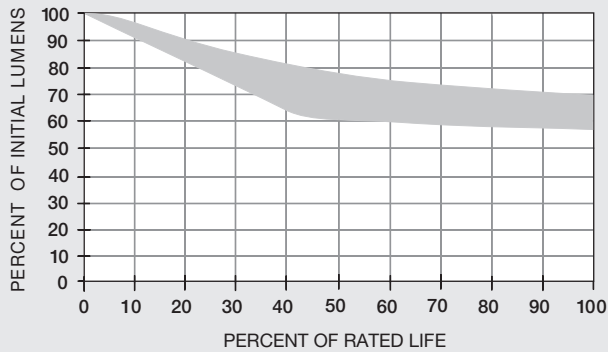
**Typical Lumen Maintenance Curve
(with Magnetic Ballast)**



Typical Spectral Power Distribution (CRI = 90+)



**Typical Lumen Maintenance Curve
(with QUICKTRONIC® Electronic Ballasts)**



LEDVANCE LLC
 200 Ballardvale Street
 Wilmington, MA 01887 USA
 Phone 1-800-LIGHTBULB (1-800-544-4828)
 www.sylvania.com

SYLVANIA and LEDVANCE are registered trademarks.
 All other trademarks are those of their respective owners.
 Product Licensee of Trademark SYLVANIA in General Lighting.
 Specifications subject to change without notice.

[/sylvania](https://twitter.com/sylvania) [/sylvania](https://facebook.com/sylvania)

