

SYLVANIA Luminaires

Hi-PerformanceLED™ Slim MICRODISK™

Application

The SYLVANIA Hi-PerformanceLED Slim Microdisk is a slim profile LED downlight kit with remote driver that operates at 120-277V universal input voltage. The less than 1" thin design allows for installation directly under joists in new and remodel construction and for installing without a housing. Ideal in bathrooms/kitchens, closets/attics, soffits, stairwells, or corridors.

Benefits and Features

- Modern, low profile form provides updates from traditional designs
- No warm up time, instant on with full light and consistent lamp to lamp color
- Fire-rated when used in a fire-rated octagon box
- 120° beam angle
- Up to 82 LPW
- 5 CCT Selectable
- CRI >90
- Offered in 8.5 and 13.5 watts
- Uniform, glare free illumination
- Energy savings up to 87%

Electrical

- 120-277V_{AC}
- Power Factor >0.9
- 0-10V dimmable

Rated Life

- 50,000 hours (L₇₀)

Warranty

- 5-year

Operating Temperature

- -4°F to +104°F (-20°C to +40°C)

Item #	_____
Type	_____
Project	_____
Notes	_____
Date	_____



Wattage Comparison

Traditional Source	Traditional System Wattage	LED System Wattage	Energy Savings
Fluorescent	65	8.5	87%
Fluorescent	100	13.5	87%

Certifications and Listings

- cETLus
- RoHS
- FCC
- ENERGY STAR®
- T24

Installation

Hardwire



Ordering Guide

MD	XR	XX00	UNV	D	9	SC3
Product Name	Size	Lumens	Voltage	Dimming	CRI	Color Temp
MD =	4R = 4" round	600 = 600lm	120-277V	D = 0-10V	9 = >90	SC3 = 2700K, 3000K, 3500K, 4000K or 5000K
MICRODISK	6R = 6" round	1100 = 1100lm				

Ordering Information

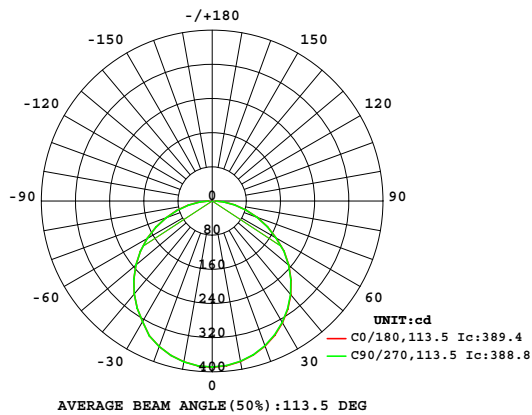
Item Number	Ordering Abbreviation	Power (W)	Base Type	Replaces	Input Voltage (V)	Avg. Life (hrs)	CCT	Case Qty	Typical Lumens (lm)	CRI	Power Factor	Bulb Finish	ENERGY STAR®	T20	T24
65667	MD4R600UNVD9SC3	8.5	Hardwire	65	120-277V	50,000	2700K/3000K/ 3500K/4000K/ 5000K	4	600	>90	>0.9	Frosted	Yes	No	Yes
65668	MD6R1100UNVD9SC3	13.5	Hardwire	100	120-277V	50,000	2700K/3000K/ 3500K/4000K/ 5000K	4	1100	>90	>0.9	Frosted	Yes	No	Yes

Energy Savings

Basic Product Description	LED Life (hrs)	LED Lumens	Similar Incandescent	Incandescent Lumens	Watts Saved	Energy Savings*	LED Life vs Incandescent
MD4R600	50,000	600	2000	700	57	\$314	25x
MD6R1100	50,000	1100	2000	1000	86.5	\$476	25x

*Energy savings over life of lamp calculated at \$0.11/kWh

Photometric Data



Accessories

Color Trim Rings

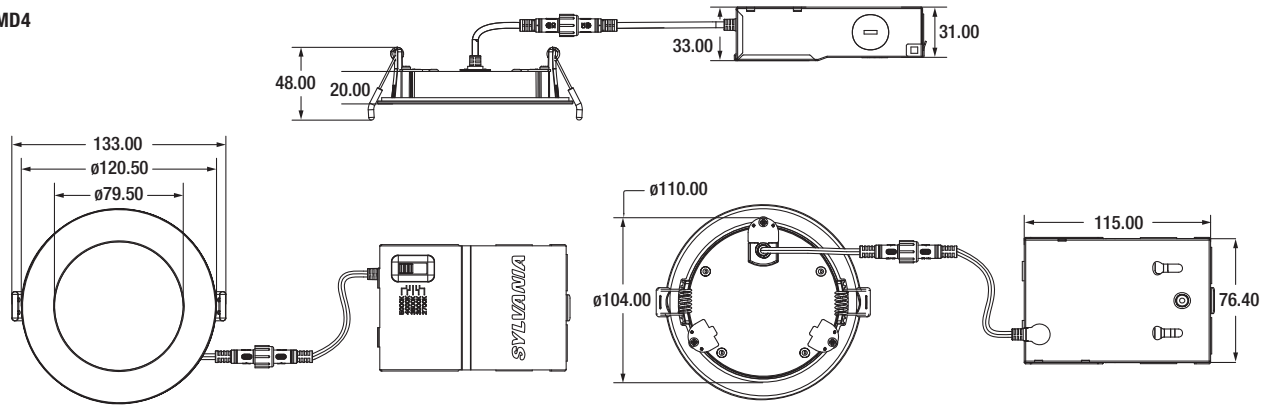
Item Number	Ordering Abbreviation
62378	MD4TRIMDKBZ2A
62379	MD4TRIMBLK2A
62380	MD4TRIMORBZ2A
62381	MD4TRIMSN2A
62382	MD6TRIMDKBZ2A
62383	MD6TRIMBLK2A
62384	MD6TRIMORBZ2A
62385	MD6TRIMSN2A



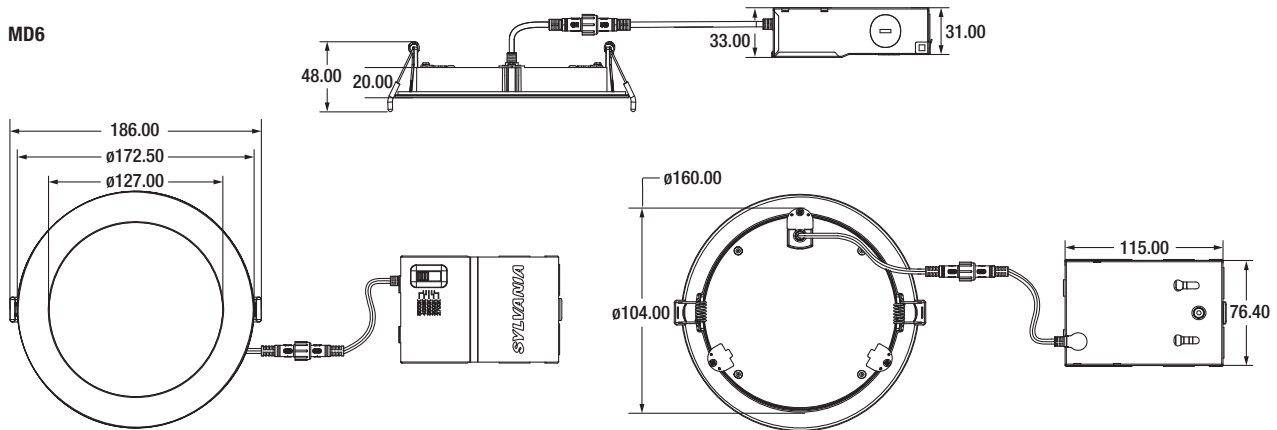
Physical Information

Lamp Description	Height (in)	Diameter (in)
MD4R600UNVD9SC3	0.78	4.74
MD6R1100UNVD9SC3	0.78	6.79

MD4

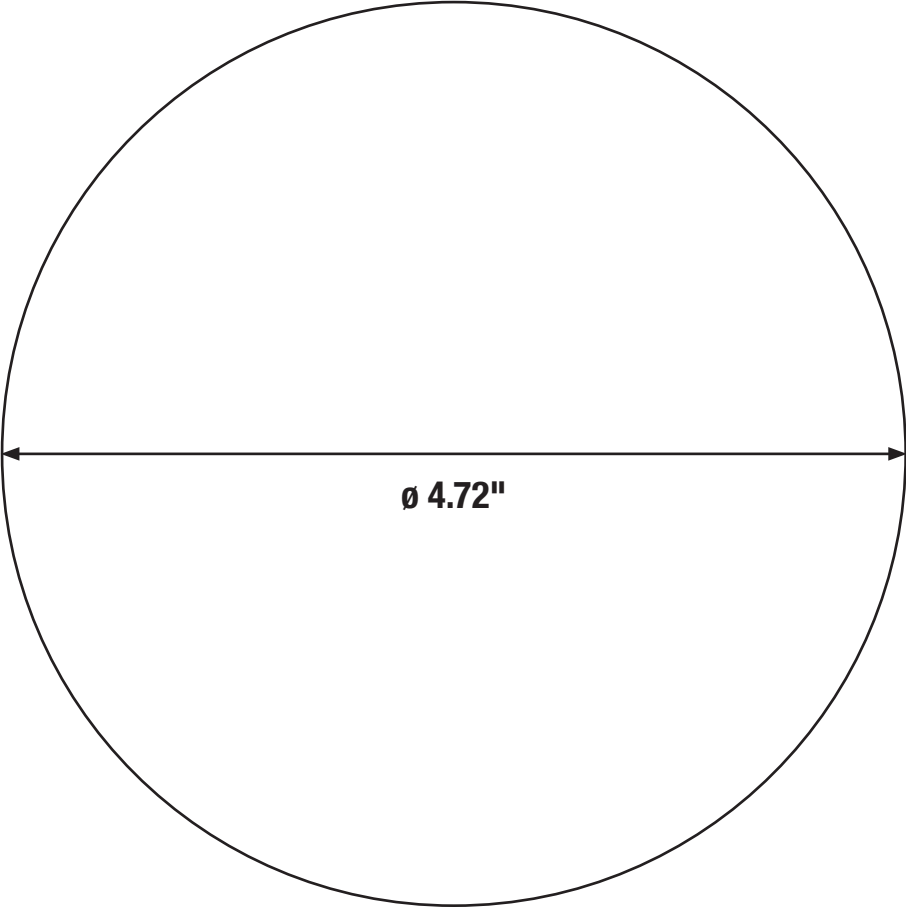


MD6



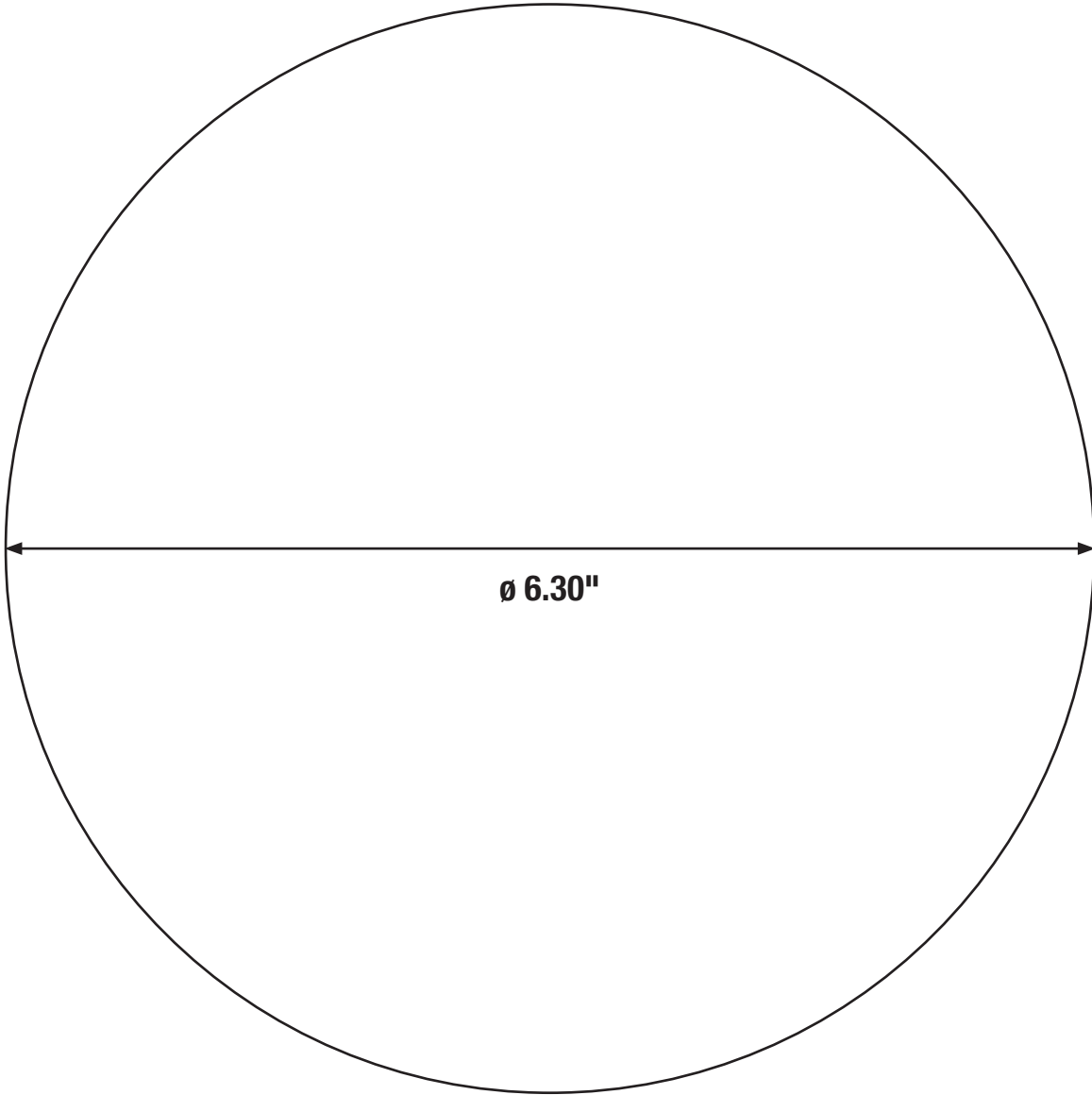
Hole Cut Template

MD4



Hole Cut Template

MD6



LEDVANCE LLC
200 Ballardvale Street
Wilmington, MA 01887 USA
Phone 1-800-LIGHTBULB (1-800-544-4828)
www.ledvanceUS.com

SYLVANIA and LEDVANCE are registered trademarks.
All other trademarks are those of their respective owners.
Licensee of product trademark SYLVANIA in general lighting.
Specifications subject to change without notice.

 /sylvania  /sylvania

Name:	<input type="text"/>
Email:	<input type="text"/>
Phone:	<input type="text"/>

