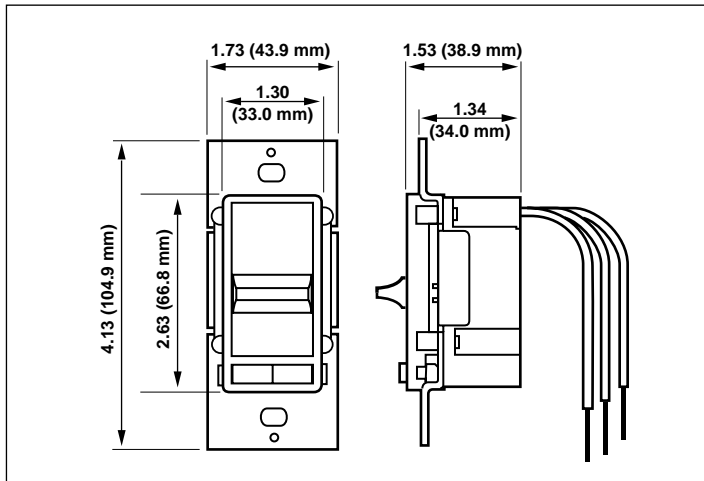


SureSlide™ Decora Slide Dimmers



Cat. No. 6621-P



SureSlide

APPLICATION

Leviton SureSlide™ Decora-style dimmers provide smooth, slide-action full-range dimming for incandescent, magnetic low-voltage, magnetic fluorescent and electronic fluorescent lighting. Preset versions feature a separate Preset ON/OFF switch to allow ON/OFF switching without disturbing the selected brightness level. SureSlide also offers full-range fan speed controls and quiet fan speed controls. The SureSlide line includes single-pole (one location), Preset 3-way (multi-location), and illuminated versions. Suitable for a wide range of residential and commercial applications, SureSlide is compatible with Leviton's entire line of Decora designer-style devices.

FEATURES

- UL Listed (File # E-31373)
- CSA Certified (File # LR-3413)
- All SureSlide devices have a permanently mounted smooth-action integrated linear slide control for easy, precise operation.
- SureSlide Slide Dimmers and Fan Speed Controls offer full range slide control. Preset versions feature a separate ON/OFF Preset switch that does not disturb the selected brightness or fan speed settings.
- SureSlide dimmers and fan speed controls feature elegant Decora styling that coordinates perfectly with Leviton's extensive line of Decora wiring devices.
- SureSlide lighting controls are available in single-pole, 3-way and illuminated versions
- SureSlide features models specifically designed for Advance Mark X™ and Philips Ecotron™ fluorescent dimming ballasts and the Philips dimmable Earthlight™.
- Built-in radio/TV interference filter.
- Preset versions provide a low-end trim adjustment feature allows precise adjustment of lamp brightness or fan speed at low-end setting.
- SureSlide Quiet Fan Speed Controls have special circuitry to reduce fan motor noise at low speeds.
- Use with Leviton DPSPE-112 Power Extender to extend load capacity to 2000W (2000VA) for incandescent, magnetic low-voltage and Advance Mark X™ fluorescent dimming ballasts.
- Use with Leviton DPSPE-212 Power Extender to extend load capacity to 2000VA for Advance Mark VII™ and Motorola Helios™ fluorescent ballasts.
- SureSlide features a slim, compact housing that fits easily into a standard wallbox and is suitable for multi-gang installations.
- Most SureSlide devices are available in brown, ivory, white, gray and black (illuminated versions available in ivory and white only).

STANDARDS SPECIFICATIONS

Controls shall be UL Listed Leviton Multi-Location Decora Slide Dimmer with Limited Two-Year Warranty, permanently mounted smooth-action integrated linear slide control mechanism for precise operation, Leviton Decora styling and compact housing that fits easily into standard wallbox. Preset version shall be available. Quiet Fan Speed Controls shall have special circuitry to reduce fan motor noise at low speeds and low-end trim adjustment for minimum fan speed. Available in ratings and colors as scheduled on plan.

Performance Specifications	
Electrical	<ul style="list-style-type: none"> • Input 120 VAC @ 60Hz. • Line voltage regulation. • RFI noise suppression. • Maximum load incandescent 600 watts stand alone.
Mechanical	<ul style="list-style-type: none"> • Dimmer control – slide bar. • On/off rocker switch. • 3-way versions work with a 3-way switch. • Two wire device plus ground wire; three wire plus ground wire on 3-way • The LED will be lighted when the device switches the load off. • On/off switch provides air-gap switch for servicing.
Environmental	<ul style="list-style-type: none"> • Operating 0 degrees celsius to 55 degrees celsius. • Non-operating –10 degrees celsius to 85 degrees celsius. • Relative humidity, non-condensing 20% to 90%.

ORDERING INFORMATION

Cat. No.	Rating	Description
6621	600 Watts	Single-Pole Incandescent Slide Dimmer
6621-P	600 Watts	Single-Pole Incandescent Slide Dimmer w/Preset ON/OFF Switch
6623-P	600 Watts	3-Way Incandescent Slide Dimmer w/Preset ON/OFF Switch
6631	600 Watts	Illuminated Single-Pole Slide Dimmer
6611-P	600VA	Single-Pole Magnetic Low-Voltage Slide Dimmer w/Preset ON/OFF Switch
6613-P	600VA	3-Way Magnetic Low-Voltage Slide Dimmer w/Preset ON/OFF Switch
6661-P1	480 Watts	Single-Pole Magnetic Fluorescent Slide Dimmer w/Preset ON/OFF Switch
6667-31	500 Watts 120V AC	Single-Pole and 3-Way Electronic Mark X™/Philips Ecotron™ Fluorescent Slide Dimmer w/Preset ON/OFF Switch
6627	5 Amps	Single-Pole Slide Fan Speed Control
6629	1.5 Amps	Single-Pole Quiet Slide Fan Speed Control

Available in Brown (no dash), Ivory (-I), White (-W), Grey (-GY), and Black (-E). Illuminated versions available in Ivory and White only.

Leviton's Limited Two-Year Warranty

This warranty gives you specific rights, and you may also have other rights, which vary in different states and countries. Leviton warrants to the original consumer purchaser that this product is free of defects in materials and workmanship for 2 years from the purchase date. Leviton's only obligation is to correct such defects by repair or replacement, at its option, if within such 2 years the product is returned prepaid, with proof of purchase date, and a description of the problem to the Leviton Manufacturing Co., Inc., ATTN: Quality Assurance Department, 59-25 Little Neck Pkwy., Little Neck, NY 11362-2591. This warranty does not cover labor for removal or reinstallation of the product and is void on any product installed improperly or in an improper environment, overloaded, misused, opened, abused, or altered in any manner. There are no implied warranties of any kind, but if implied warranties are required by the applicable jurisdiction, Leviton limits the duration of any implied warranty of fitness for use or merchantability to 2 years. Leviton is not liable for incidental or consequential damages, including without limitation, loss of equipment use and lost sales or profits for breach of any warranty on this product. Some jurisdictions may not allow exclusion of or limitations on how long an implied warranty lasts or the exclusion or limitation of incidental or consequential damages, so the above exclusions or limitations may not even apply to you.



Leviton Mfg. Co., Inc. 59-25 Little Neck Pkwy • Little Neck, NY 11362 • Phone: (800) 323-8920 • Fax: (800) 832-9538