



INSTALLATION MANUAL

Outdoor Series

**RP-SAL-8W-50K-SF-GY-G1,
RP-SAL-30W-50K-SF-GY-G1.**

Warning and Attention:

1. The average sunshine in the installation area should be above 3.5h/day in order to ensure full function of the lighting fixture.
2. To avoid over discharge of the battery during storage, please recharge the lighting fixture every 4 months (press the switch when charging, use the dedicated charger to charge, reset the switch when done.) **Note: the dedicated charger, included or sold separately**
3. Before installation, please ensure the light pole foundation is solid enough to withstand lighting fixture.
4. Position the lighting fixture to optimize its exposure to sunlight. Always face the equator (solar panel to face south if in northern hemisphere for example).
5. In order to allow self-cleaning, please have a minimum angle of 15 degrees.
6. Before installation, please ensure the battery is fully charged. For best results install on a day with full sunlight.
7. Adjust the angle of the fixture to optimize its exposure to sunlight . Adjust the LED module angle toward the area to be illuminated.
8. Before installation, please press the switch and ensure the red light on the sensor lights up. Please cover the panel and check if the light module turns on, normally within 1 minute.
9. Select the necessary operation mode with the remote control. Please refer to the remote control instruction manual for further information.
10. Use the dedicated tool to disassemble the anti-theft screws.
Note: the dedicated tool not included, sold separately
11. After installation, the lighting fixture will automatically turn on at night and turn off during daylight.
12. Please select the right operating mode according to the local legislation needs and the local sunlight conditions.
13. The battery of the LEDSAL solar street light fixture will stop charging when the ambient temperature 32°F or $\geq 149^{\circ}\text{F}$. The working temperature of the solar fixture is -4°F (-20°C) to +122°F (+50°C). When operating in an environment with a temperature lower than 32°F (0°C) or $\geq 149^{\circ}\text{F}$ (65°C) the battery will stop charging, even if there is sunlight. In that temperature range the battery self protects



and will not be damaged. The solar area light will still light even in those extreme temperatures until the battery is depleted.

14. The working temperature of the solar fixture is $-4^{\circ}\text{F} \sim +122^{\circ}\text{F}$. When operating in an environment with a temperature lower than 32°F ; the battery will stop charging, even if there is sunlight, but the lighting fixture can still be discharged if you want to use.
15. When the ambient temperature is $\leq 32^{\circ}\text{F}$ or $\geq 149^{\circ}\text{F}$, the battery will turn into self-protection mode.
 - a. When the electricity is only 40%, the luminance will automatically be reduced by half.
 - b. When the green indicator begins to flicker slowly, it means that there is only 10% electricity.
 - c. When there is only 5% electricity, the luminaire will automatically shut down, then enter the protection state and will not discharge.

Application Item:

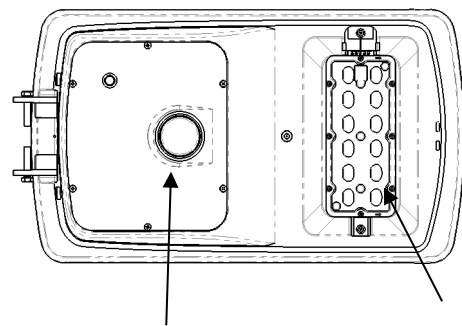
Item	REMPHOS PART#	Wattage	LUMEN	NET WEIGHT	DIMMING
A	RP-SAL-8W-50K-SF-GY-G1	8W	1600LM	5.27KG	Use the remote control to adjust
B	RP-SAL-30W-50K-SF-GY-G1	30W	6000LM	13.5KG	Use the remote control to adjust

Red indicator :

1. Under charging, the red light flashing slowly.
2. Full charged, the red light stay lit.
3. Charge fault, the red light flashing quickly.

Green indicator :

1. Battery power more than 10%, the green light stay lit
2. Battery power less than 10%, the green light flash slowly.



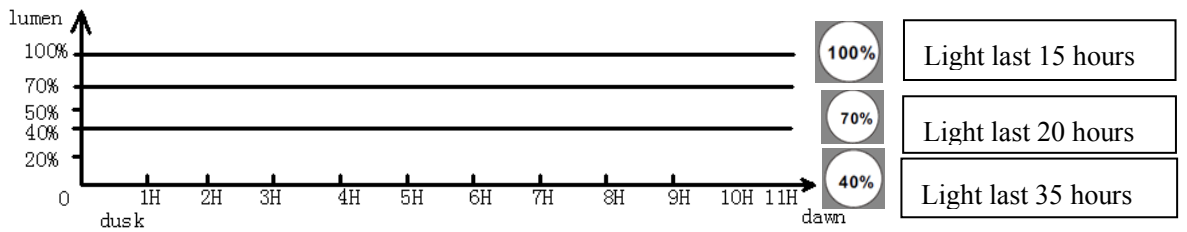
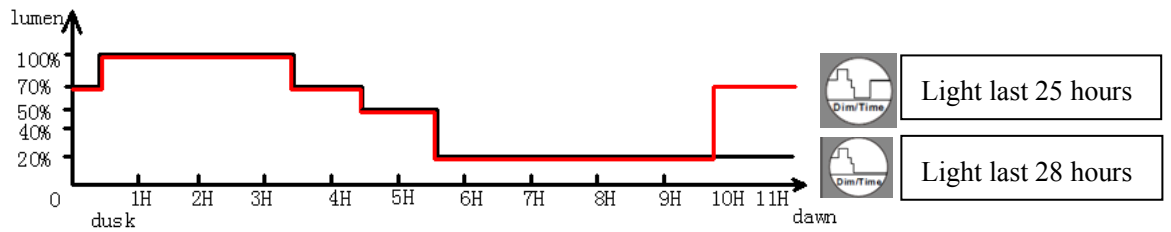
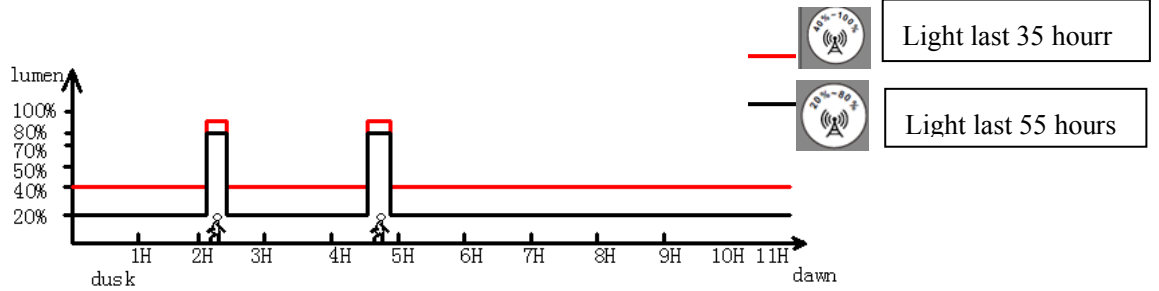
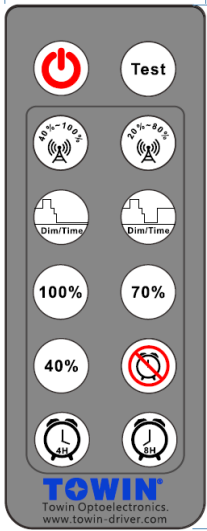
Red and green indicator
Microwave and PIR
light-emitting receiver

Mode switching indication of remote control:

The light module will flash twice when the light fixture received the signal from remote control.

Introduction of Remote Control button

Note: Remote control not included, sold separately



“ON/OFF” Working/Standby key



Induction mode Suitable for areas and seasons with less sunshine time



Time control mode Suitable for areas and seasons with many sunshine time



Constant brightness mode Suitable for areas and seasons with more sunshine time



Test mode: Test the function of the product is normal



Set the lasting time of light: After set and begin to calculate the time when light turn on, the light turn off after 4 hours.



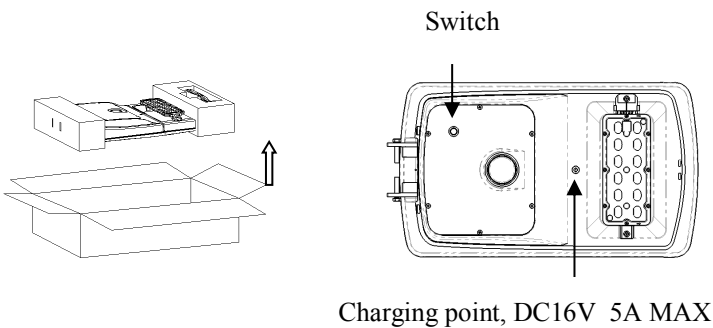
Set the lasting time of light: After set and begin to calculate the time when light turn on, the light turn off after 8 hours.



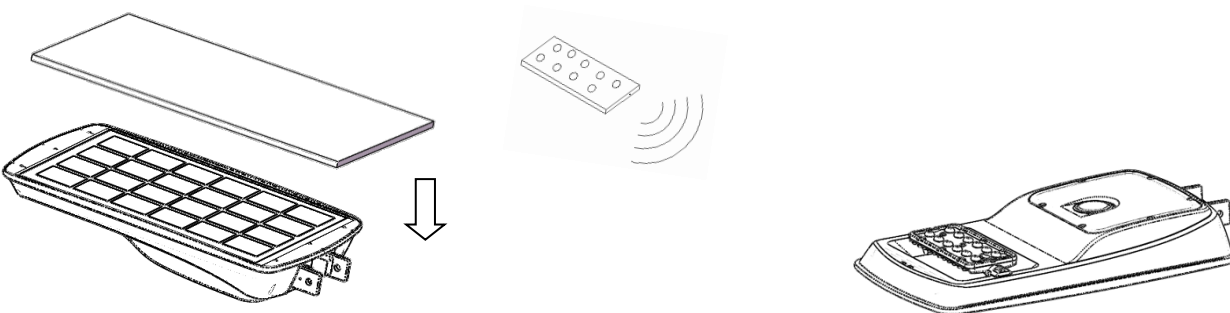
Escape the light time settings: Cancel the time settings.

Installation:

1. Take out the fixture and the tools from the package.
2. Press the fixture switch and check whether it shows red light on the sensor. If not, press the ON/OFF in the remote control, if still not, use the dedicated charger to charge it.



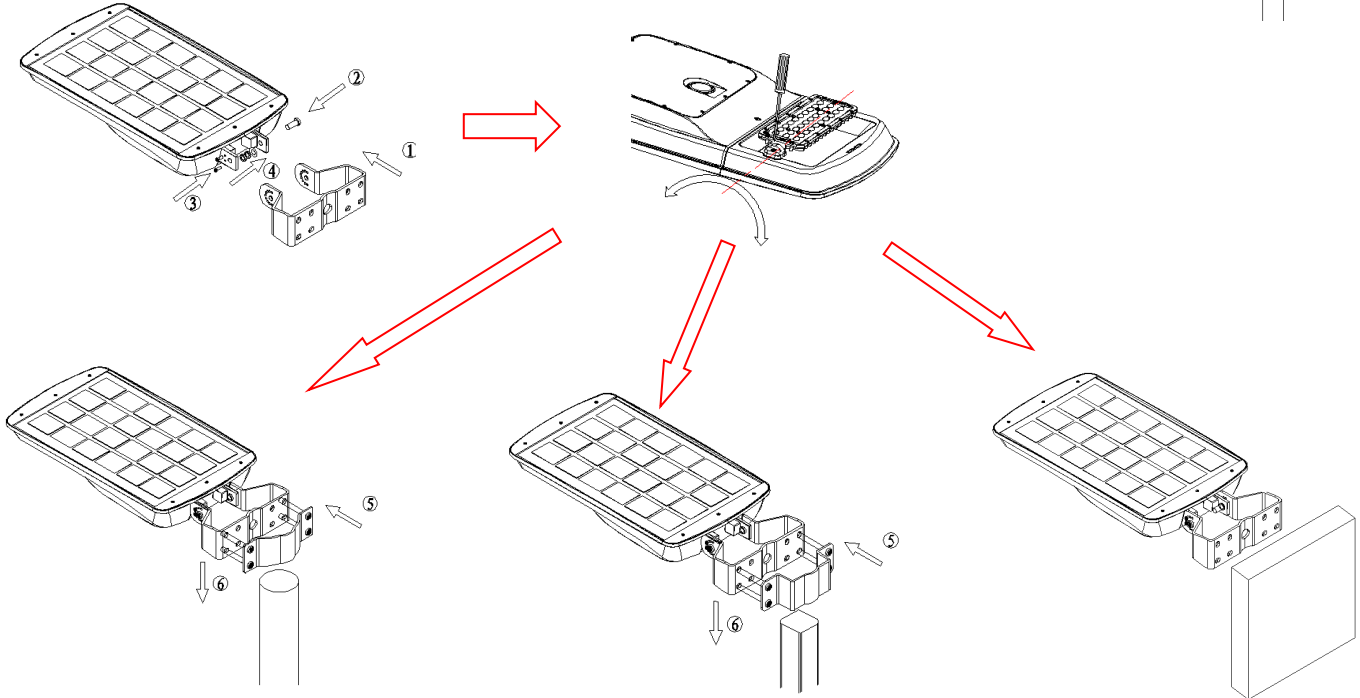
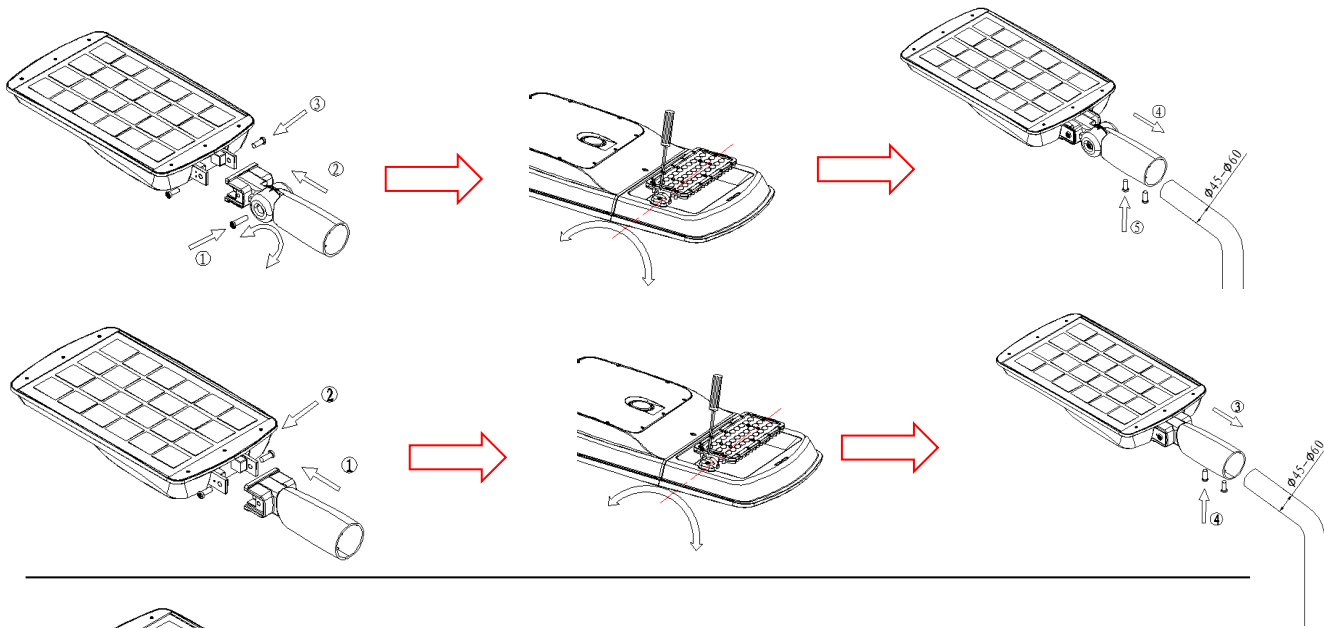
3. Cover the solar panel and check if the light module turns on.
4. Use the remote control to test the function and set up the necessary mode. The light module will flash twice when the signal is received from the remote control (The default setting is induction mode 40%-100%).



5. Make sure the switch is pressed before installation.
6. Using the dedicated tool to assemble the light body and the mounting accessories, adjust the light fixture and LED module to the suitable angle.



7. Install the light to the round pole, square pole or wall, tighten the screws and the nuts when fixed.





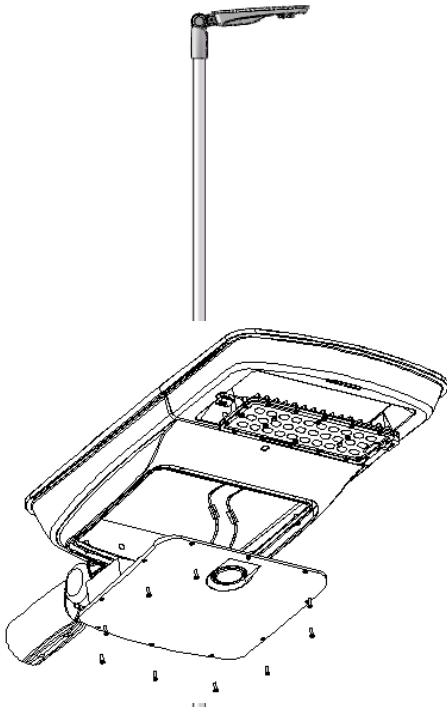
Installation Accessories:

Item	Fixed arm mounting	Slip fitter mounting	U-Trunnion mounting	Square-Hoop Mounting	Round -Hoop Mounting
8W Solar Streetlight			<p>1. Wall mounted 2. Square pole above 100mm</p>	<p>1. Round pole : $\Phi 50$-$\Phi 90$mm 2. Square pole : 50-90mm</p>	<p>Round pole: $\Phi 50$-$\Phi 110$mm</p>
30W Solar Streetlight			<p>1. Wall mounted 2. Square pole above 120mm</p>	<p>1. Round pole: $\Phi 60$-$\Phi 100$mm 2. Square pole : 50-100mm</p>	<p>Round pole: $\Phi 50$-$\Phi 120$mm</p>

Adjustment steps

Select the right operating mode according to the usage needs and the local sunshine conditions.

LEDSAL LED SOLAR AREA LIGHT | ALL-IN-ONE DESIGN



Replacement and Maintenance operations: In case of battery failure or end of life, loosen the screws on the battery cover, disconnect the wire connectors, replace the whole battery cover kit (including smart control system, battery, cover), connect the wires and tighten screws.

LEDSAL LED SOLAR AREA LIGHT | ALL-IN-ONE DESIGN



RemPhos by **Light Efficient Design**
lighting on target

FOR LIGHT EFFICIENT DESIGN PRODUCT INFO CALL Light Efficient Design, a division of TADD, LLC • 188 S. Northwest Highway • Cary, IL • 60013 • 847.380.3540 • led-llc.com
FOR REMPHOS PRODUCT INFO CALL RemPhos by Light Efficient Design • 30 Log Bridge Road, Building 200 • Middleton, MA 01949 • 877.997.3674 • remphos.com

05.03.18 Information is subject to change without notice.