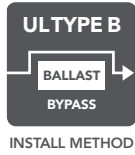


HIGH BAY RETROFITS FOR ENCLOSED FIXTURES



designed to perform

advanced active cooling



LED-8242M

- Available in 95W, 140W and 270W models replacing up to 1000W HID.
- Dynamic temp control with advanced active cooling supports a longer, brighter life.
- Pretested & potted drivers are burnt in 3x prior to shipping and protected against vibration & moisture.
- Expertly engineered to work efficiently in enclosed fixtures & damp environments, while also protected against insects & dust.
- Dual stage MOV protection with integrated 6kA surge.
- USA designed & specified LED driver.

replaces up to 1000W HID



PART #	UPC	REPLACES	WATTAGE	LUMENS	CCT (K)	BASE	DLC CODES
LED-8236M50	844006023256	250W HID	95W	13000	5000K	EX39	PGZP2DPL
LED-8232M50	844006023232	400W HID	140W	19500	5000K	EX39	PIK6EJTU
LED-8242M50	844006023317	1000W HID	270W	37500	5000K	EX39	P6ECNODA

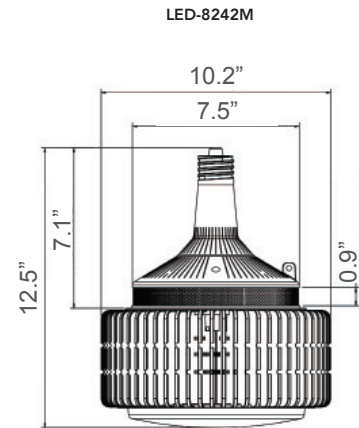
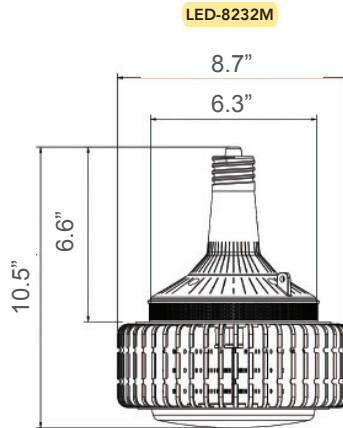
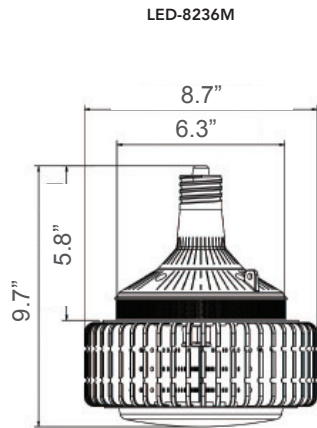
* See page 2 for additional color temperatures.

** See page 2 for 347 volt options for Canada.



RemPhos

HIGH BAY RETROFITS FOR ENCLOSED FIXTURES



ORDERING GUIDE

PART #	UPC	REPLACES	WATTAGE	LUMENS	CCT (K)	BASE	DLC CODES
LED-8236M40	844006023249	250W HID	95W	12900	4000K	EX39	PE7IDTIV
LED-8236M50	844006023256	250W HID	95W	13000	5000K	EX39	PGZP2DPL
LED-8232M40	844006023225	400W HID	140W	19200	4000K	EX39	PIG0DL0E
LED-8232M50	844006023232	400W HID	140W	19500	5000K	EX39	PIK6EJTU
LED-8242M40	844006023300	1000W HID	270W	37200	4000K	EX39	P2OQ9XUL
LED-8242M50	844006023317	1000W HID	270W	37500	5000K	EX39	P6ECNODA



347 VOLT OPTIONS FOR CANADA



PART #	UPC	REPLACES	WATTAGE	LUMENS	CCT (K)	BASE	DLC CODES
LED-8236M40C	844006023287	250W HID	95W	12900	4000K	EX39	PHQ6BVDN
LED-8236M50C	844006023294	250W HID	95W	13000	5000K	EX39	P8ZGZ2ZR
LED-8232M40C	844006023263	400W HID	140W	19200	4000K	EX39	PB0IILUNZ
LED-8232M50C	844006023270	400W HID	140W	19500	5000K	EX39	P1PUYKDK
LED-8242M40C	844006023324	1000W HID	270W	37200	4000K	EX39	PR5EU0SW
LED-8242M50C	844006023621	1000W HID	270W	37500	5000K	EX39	PW0UDOO6

