

RP-LBE-G2 RETROFIT FOR LINEAR FLUORESCENT LUMINAIRES



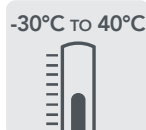
SENSOR READY



VOLTAGE



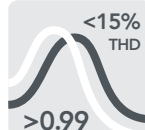
EFFICACY



OPERATING TEMP



OPTIONAL MOTION SENSOR



PWR FACTOR/THD



BEAM ANGLE



RATED LIFE

the ultimate LED retrofit kit

RemPhos' LBE (LEDBARKIT External-Drive) universal retrofit kit for linear fluorescent luminaires is the perfect retrofit solution. Delivers better long-term reliability, longer life (10yr warranty), controllability (standard 0-10V dimmable; Dim-to-Off; 12V Aux Standard) and faster paybacks (since Utility incentives are typically higher), when compared to LED tubes. Designed to easily fit into existing T5/T8/T12 linear fluorescent fixtures. Fast, one-person installation.



SIMPLE INSTALLATION

Convert existing fixtures fast with magnets on the back of the light bars that allow hands-free placement (self-drilling screws are pre-captivated on each magnetic bracket for fast & secure install). Electrical quick connects for simple, error-free power connections.

FITS BETWEEN THE SOCKETS

No need to remove existing T5/T8/T12 sockets. The LEDBAR is sized to fit in between the existing sockets, further reducing install time.

MAXIMUM VERSATILITY

Standard lengths along with multiple lamp/driver combinations (1L,2L,3L,4L) provides a fit for any application.

MANY LIGHT OUTPUT CHOICES

Systems available from 6W (800LM) all the way to 80W (13,000LM). Standard 10V drivers now include FlexWatt that allows you to choose the exact lumen/wattage package needed. See ordering guide for available lumen packages.

STANDARD 10V DIMMABLE DRIVER W/ 12V AUX; DIM TO OFF

SUITABLE FOR DRY & DAMP LOCATIONS

UL 1598C CLASSIFIED RETROFIT KIT LISTED & PERFORMANCE QPL LISTED

10 YEAR WARRANTY, L70 >100,000HRS

OPTIONAL "BAA" BUY AMERICA ACT

BAA compliant (ARRA Section 1605) models available, assembled in our state-of-the-art Middleton, MA facility.

CUSTOM BRACKET DESIGNS AVAILABLE

Stream line your retrofit project with custom professional brackets to reduce install time and variation of install

CONTROLS/MOTION SENSORS (OPTIONAL)

Contact our engineering team to help choose the best sensor/control for your application.



Light Efficient Design

LIGHT EFFICIENT DESIGN HEADQUARTERS 188 S. Northwest Highway • Cary, IL 60013
INNOVATION & MANUFACTURING CENTER 30 Log Bridge Road, Building 200 • Middleton, MA 01949

847.380.3540 • led-llc.com

12.07.20 Information is subject to change without notice.

RP-LBE-G2 RETROFIT FOR LINEAR FLUORESCENT LUMINAIRES



NEW WITH THE LBE-G2

	RemPhos LBE G2	RemPhos LBE G1	Competitor
PERFORMANCE			
Higher output option to match T5HO	✓	✗	✓
8W option to replace T8 32W FL	✓	✗	✗
FlexWatt driver standard	✓	✗	✗
Dim-to-off driver standard	✓	✗	✗
2-switch step-dim driver option	✓	✗	✗
1-switch step-dim driver option	✓	✗	✓
Compatibility with low cost 12V DC controls	✓	✗	✗
Optional FlexColor adjustable CCT light bars	✓	✗	✗
DLC Premium at 130-150LPW	✓	✓	✓
Low cost emergency battery backup	✓	✗	✓
CONSTRUCTION			
Metal case LED driver	✓	✗	✗ (plastic)
Aluminum heatsink for thermal dissipation of LEDs	✓	✓	✗ (plastic)
Removable, adjustable metal magnetic brackets	✓	✗	✗ (plastic)
Pre-captured self-drilling screws on brackets	✓	✗	✗
Various "custom-shop" brackets available	✓	✗	✗
RELIABILITY			
10-year warranty	✓	✓	✓
100,000hr L70 LED lifetime	✓	✓	✗ (70,000hr)
OTHER			
BAA Assembly option	✓ (Middleton, MA)	✓ (Middleton, MA)	✗ (TAA)
Local USA factory support for changes to schedule	✓	✓	✗

HIGHER OUTPUT TO MATCH T5HO

Previous generation could only be powered up to 20W for the 4ft bar. G2 can be powered at up to 25W for the 4ft bar to match the foot candles of a T5HO FL lamp. All light bars are over 150LPW, with AC wall efficiencies including the driver from 130-145LPW.

SINGLE CCT AVAILABLE

4FT: 25W Max, 3FT: 12W Max, 2FT: 12W Max, 1FT: 8W Max

FLEXWATT STANDARD

Each driver has 4 adjustable wattage choices. With FlexWatt, there are now significantly more wattage choices to allow you to select exactly what lumen/wattage package is needed to maximize energy savings.

OPTIONAL FLEXCOLOR

Select between three color temperatures using a slide switch.
4FT: 20W Max

DIM-TO-OFF SENSOR READY DRIVERS STANDARD

12V auxiliary power and 10V dimming wires are standard in every kit. Allows for easy interface with dimming switches and control systems.

VARIOUS CONTINUOUS AND STEP-DIM DRIVER OPTIONS.

We want to help you choose the lowest cost, easiest to implement method to dim our retrofit kits. While low voltage 10V dimming is a great approach, often it requires running new wiring. Therefore, we have line voltage phase dimming driver options, 2-switch step-dim driver options (to work with existing inbound/outbound wall switches), and 1-switch step-dim driver options (using 1 existing wall switch change brightness between pre-selected levels of 50%/100% for example).

LESS WATTS TO REPLACE YOUR FLUORESCENT LAMPS

Previously G1 was 10W to replace 32W T8 FL, now with G2 10W or even 8W can be used for deeper energy savings. ordering guide for available systems.

METAL, LINEAR BALLAST SHAPED LED DRIVERS

Previous G1 were plastic cases. New G2 are rigid metal cases, rugged and easy to mount. Thinner height to fit into even the most compact existing ballast compartments..

REMOVABLE, ADJUSTABLE METAL MAGNETIC MOUNTING BRACKETS

Previous G1 had plastic end caps which accepted self-drilling screws and fixed magnets. G2 has an innovative bracket that can be slid anywhere on the bar, so that the screws can be mounted in various places depending on what is fastest/easiest for the install.

LOWER COST EMERGENCY BATTERY BACKUP

VARIOUS BRACKETS AVAILABLE FROM OUR "CUSTOM-SHOP"

Have a direct/indirect pendant hung fixture and want a fast way to mount bars pointing up and down? No problem, we have a solution. Have a wide-body vapor tight where you want 6 bars mounted together along with a motion sensor on a single pan? No problem, we have a solution. Let our engineers help design a bracket/mounting system that makes installation faster and easier for you.



RP-LBE-G2 RETROFIT FOR LINEAR FLUORESCENT LUMINAIRES



DIMMING OPTIONS

10V – Standard driver is controlled with 0-10V wall dimmer or 0-10V advanced control system. (Standard driver has Aux power [12V – 50mA]; Dim-to-Off)

LVD – 120-277V TRIAC / AC Phase cut dimming (Driver) – Traditional AC modulated dimming. Compatible with forward or reverse phase cut dimming. CFL/LED compatible dimmer required.

1STEP – Single Switch Step-Dimming (Module to be used with LBE 10V kits) Quick flip [ON-OFF-ON] to toggle between step dimming. [30% - 60% - 100%]

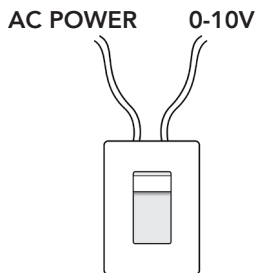
2STEP – Double Switch Step-Dimming (Driver) Use 2 switches to control dimming steps in logical way. Designed to retrofit fluorescent in-board / out-board set-up. [30% - 60% - 100%]

DIMMING EXPANDED

10V
(STANDARD DRIVER)



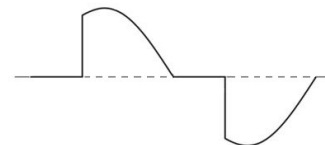
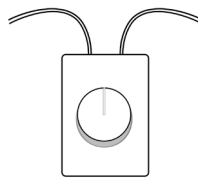
0-10V DIM
(Dim-to-off)
(Aux 12V; mA)
(0-10V use with wall dimmer or 0-10V Advanced Control)



LVD
(OPTIONAL DRIVER)



120-277V TRIAC (PHASE CUT)
(CFL/LED Compatible dimmer required)



1STEP
(OPTIONAL CONTROL MODULE)



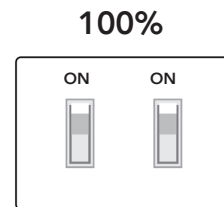
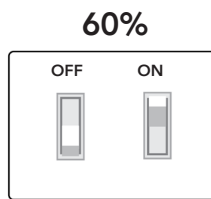
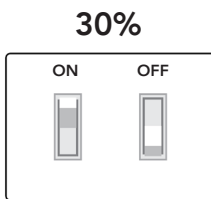
SINGLE SWITCH STEP DIM MODULE
(Use w/ standard LBE control ready driver)
Quick flip [ON-OFF-ON] to toggle between step dimming. [30% - 60% - 100%]



2STEP
(OPTIONAL DRIVER)



2 SWITCH
(Fluorescent in-board / out-board retrofit)



Light Efficient Design

LIGHT EFFICIENT DESIGN HEADQUARTERS 188 S. Northwest Highway • Cary, IL 60013
INNOVATION & MANUFACTURING CENTER 30 Log Bridge Road, Building 200 • Middleton, MA 01949

847.380.3540 • led-llc.com

12.07.20 Information is subject to change without notice.

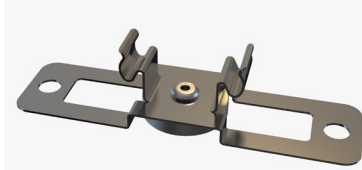
RP-LBE-G2 RETROFIT FOR LINEAR FLUORESCENT LUMINAIRES



OPTIONAL MOUNTING BRACKETS - ORDERED SEPARATELY

Used when mounting to an uneven fixture surface or to match heights to driver channel when de-lamping

SHORT BRIDGE



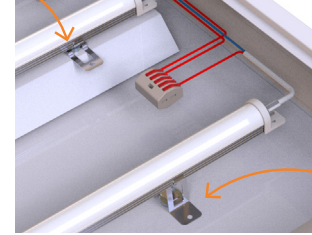
RP-LBE-G1-SHORTBRIDGE-10P

TALL BRIDGE



RP-LBE-G1-TALLBRIDGE-10P

SHORT BRIDGE



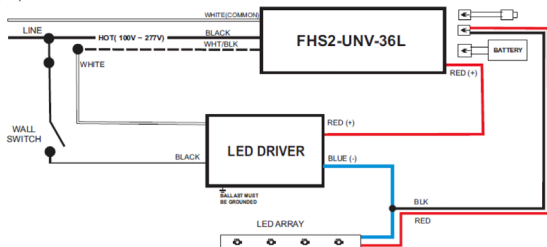
TALL BRIDGE

OPTIONAL EMERGENCY BACKUP

A simple, effective solution when battery backup functionality is required. 500 lumen, 90-minute standard; specify EMG suffix in part number. Contact us for other backup times and lumen packages.



Wiring Diagram (TYP)



KEY PRODUCT INFORMATION

- SIMPLE INSTALLATION
- FITS BETWEEN THE SOCKETS
- MAXIMUM VERSATILITY
- MANY LIGHT OUTPUT CHOICES
- CONTROL READY 10V DIMMABLE DRIVER
- SUITABLE FOR DRY & DAMP LOCATIONS
- UL 1598C CLASSIFIED RETROFIT KIT LISTED & PERFORMANCE QPL LISTED
- 10 YEAR WARRANTY, L70 >100,000HRS
- OPTIONAL "BAA" BUY AMERICA ACT
- CUSTOM RETROFIT SOLUTIONS AVAILABLE
- OPTIONAL MOTION SENSOR/CONTROL READY



HOW TO EASILY ADD OCCUPANCY SENSING AND DAYLIGHT CONTROL TO YOUR FIXTURE

Choose one of the control options below which best fits your needs. Any of these options can be easily installed under the existing glass or plastic fixture lens. These controls will allow the LED Barkit to adjust its light level depending on occupancy or daylight levels, achieving greater energy savings.

ADVANCED WIRELESS CONTROL

PART #	DETAILS
<p>HNS 111</p>	<p>Remote mounted antenna can be screwed to outside of ballast cover. Can be mounted behind glass or plastic lens. Adjusts for occupancy and daylight. Optional remote control to adjust settings.</p>



We partner with Magnum, avi-on, Philips, Lutron and other intelligent wireless lighting control systems. Allows for occupancy sensing, daylight harvesting, grouping, scheduling, high-end trim and more. Adjust settings via iPhone/Android apps. Contact us for

CONTACT US FOR ORDERING CODES

*If satisfied with LBE default settings, remote control is not needed. If settings need to be changed, optional remote control (IR12), is required.



Light Efficient Design

LIGHT EFFICIENT DESIGN HEADQUARTERS 188 S. Northwest Highway • Cary, IL 60013
 INNOVATION & MANUFACTURING CENTER 30 Log Bridge Road, Building 200 • Middleton, MA 01949

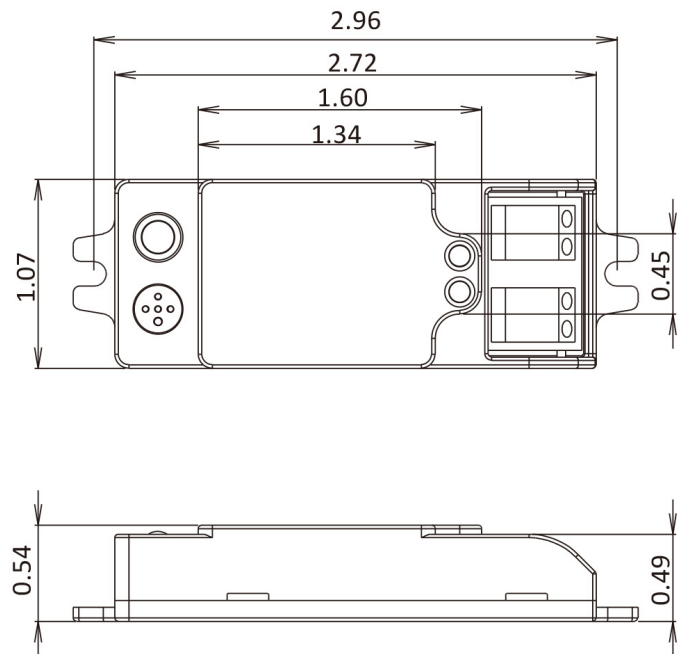
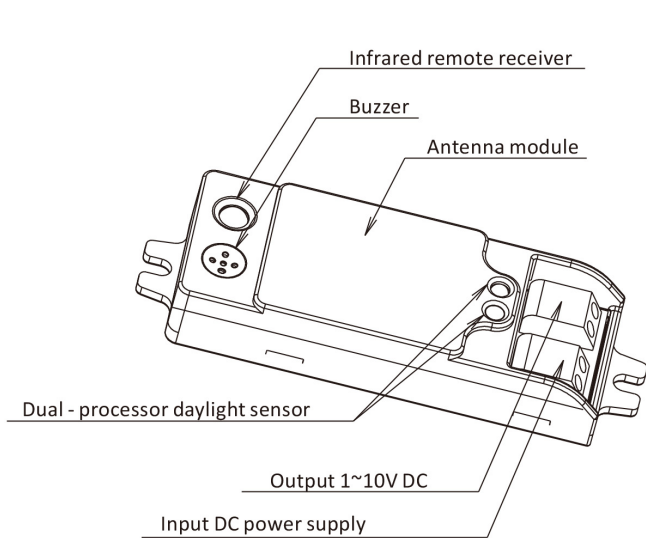
847.380.3540 • led-llc.com

12.07.20 Information is subject to change without notice.

RP-LBE-G2 RETROFIT FOR LINEAR FLUORESCENT LUMINAIRES

SENSOR OPTIONS: OCC / OCCLR

- OCC Standard high/low motion sensor
 - Remote IR12
- OCCLR Limited range high/low motion sensor
 - Remote IR12



- occupancy sensor w/ daylight hold-off
- powered by 12V DC LED driver from fixture - provided by the LED power supply
- high frequency radar occupancy sensor
- infrared remote control available (sold separately)
- uses less than 0.1W in standby mode



Light Efficient Design

LIGHT EFFICIENT DESIGN HEADQUARTERS 188 S. Northwest Highway • Cary, IL 60013
INNOVATION & MANUFACTURING CENTER 30 Log Bridge Road, Building 200 • Middleton, MA 01949

847.380.3540 • led-llc.com

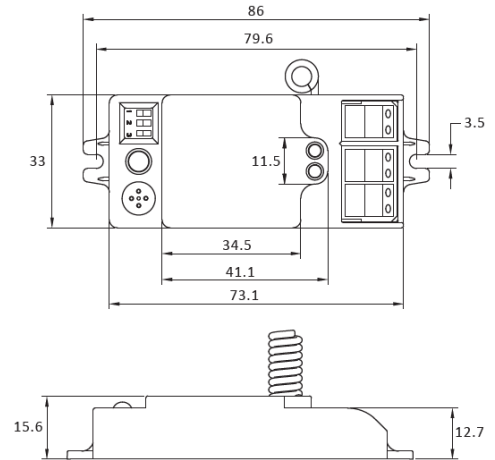
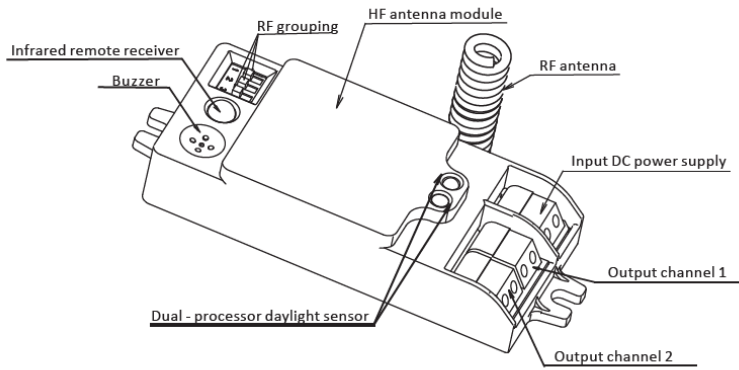
12.07.20 Information is subject to change without notice.

RP-LBE-G2 RETROFIT FOR LINEAR FLUORESCENT LUMINAIRES



SENSOR OPTIONS: OCCRF (SIMPLE GROUPING SENSOR)

- OCCRF Simple grouping high/low motion sensor
- Remote IR13

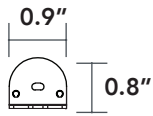


- simple grouping motion sensor w/ daylight hold-off
- powered by 12V DC - provided by the LED power supply
- max 150 ft grouping range
- ideal for stairways, parking garages and hallways
- grouping by remote or dip switch (infrared remote control sold separately)
- uses less than 0.1W in standby mode



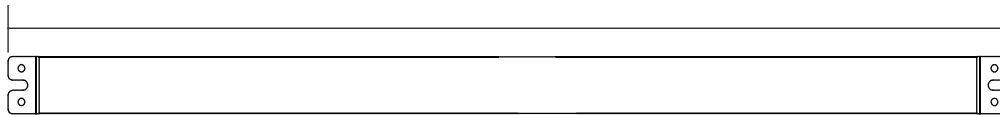
RP-LBE-G2 RETROFIT FOR LINEAR FLUORESCENT LUMINAIRES

LED BAR DIMENSIONS



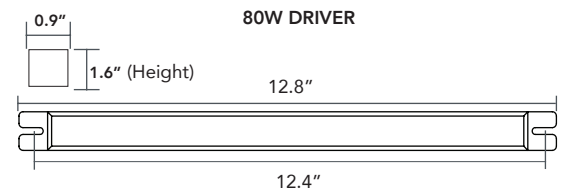
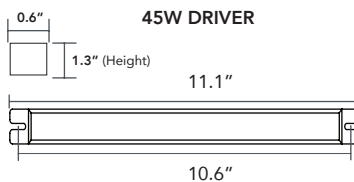
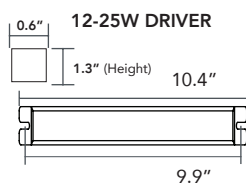
OVERALL LENGTH

1FT = 10.2"
 2FT = 21.65"
 3FT = 34.25"
 4FT = 44.37"



SPECIFICATION GUIDE

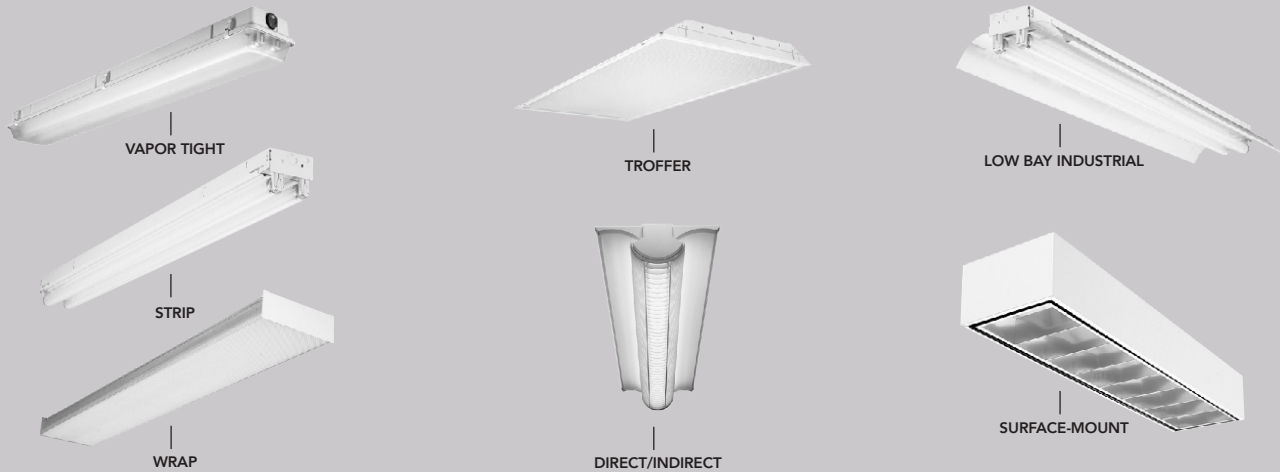
OUTPUT								
MODEL	RP-LBE-G2-DRV-12W	RP-LBE-G2-DRV-12W-HV	RP-LBE-G2-DRV-25W	RP-LBE-G2-DRV-25W-HV	RP-LBE-G2-DRV-45W	RP-LBE-G2-DRV-45W-HV	RP-LBE-G2-DRV-80W	RP-LBE-G2-DRV-80W-HV
LED OUTPUT CHANNEL(S)	Single Channel	Single Channel	Single Channel	Single Channel	Single Channel	Single Channel	Single Channel	Single Channel
LED OUTPUT CURRENT - SELECTABLE (MA)	100/150/190/230	100/150/190/230	290/350/390/490	290/350/390/490	580/680/780/880	580/680/780/880	1000/1160/1370/1570	1000/1160/1370/1570
LED DC VOLTAGE RANGE	30-48V	30-48V	30-48V	30-48V	30-48V	30-48V	30-48V	30-48V
RATED POWER (MAX)	12W	12W	25W	25W	45W	45W	80W	80W
AUX VOLTAGE SOURCE	12V/50mA	12V/50mA	12V/50mA	12V/50mA	12V/50mA	12V/50mA	12V/50mA	12V/50mA
INPUT								
VOLTAGE RANGE	120-277VAC	120-347VAC	120-277VAC	120-347VAC	120-277VAC	120-347VAC	120-277VAC	120-347VAC
FREQUENCY RANGE	50-60HZ							
POWER FACTOR (TYP)	>0.9	>0.9	>0.9	>0.9	>0.9	>0.9	>0.9	>0.9
AC CURRENT (MAX)	0.15A @ 120V	0.15A @ 120V	0.22 @ 120V	0.22 @ 120V	0.38 @ 120V	0.38 @ 120V	0.70 @ 120V	0.70 @ 120V
LEAKAGE CURRENT	<0.75mA	<0.75mA	<0.75mA	<0.75mA	<0.75mA	<0.75mA	<0.75mA	<0.75mA
INRUSH CURRENT	50A @ 277V	50A @ 277V	50A @ 277V	50A @ 277V	50A @ 277V	50A @ 277V	50A @ 277V	50A @ 277V
THD	<0.20	<0.20	<0.20	<0.20	<0.20	<0.20	<0.20	<0.20
PROTECTION								
OVER CURRENT	105-125% Protection type: Shut down output voltage							
LED SHORT CIRCUIT	A short condition on any of output shall cause no damage to the power supply. The unit shall recover and function automatically as soon as the short condition is removed.							
LED OPEN CIRCUIT	An open condition on any of output shall cause no damage to the power supply. The unit shall recover and function automatically as soon as the open condition is removed.							
OVER VOLTAGE	105-125% Protection type: Shut down output voltage							
SAFETY	UL8750 CLASS 2 CLASS P							
ENVIRONMENT								
WORKING TEMP	-20C to 50C							
WORKING HUMIDITY	< 90% RH							
STORAGE TEMP	-20C to 80C							
STORAGE HUMIDITY	< 90% RH							
TEMP COEFFICIENT	0.03%/°C (0-40°C)							
VIBRATION	10-500Hz, 2G 12Min / 1cycle, period for 72min each along X, Y, Z axes							



RP-LBE-G2 RETROFIT FOR LINEAR FLUORESCENT LUMINAIRES



EASILY RETROFIT THESE FIXTURE STYLES, AND MORE!



ORDERING DIRECTIONS (SEE ORDERING GUIDE ON NEXT PAGE)

- A) Choose your desired total system wattage and lumen output.
- B) Choose your desired LEDBAR length (1,2, 3 or 4FT) and QTY of LEDBAR(s) per driver from column C.
- D) Order system part # (a system will include 1pc LED driver + LEDBAR(s). Substitute "XX" in the 8XX for your desired CCT. 35 (3500K), 40 (4000K) and 50 (5000K) are standard color temps. 27 (2700K), 30 (3000K), 65 (6500K) are custom colors and are special order.
- E) The wattage of each LEDBAR in the system.
- F) The lumen output of each LEDBAR in the system.

If the system you want is not currently a listed part #, please contact us for a letter to send to your Utility for custom incentive approval.

CAUTION! MAX WATTAGES PER LEDBAR
 1FT: 7.5W 2FT: 12.5W 3FT: 12.5W 4FT: 25W

 If you require BAA (ARRA Section 1605) add -BAA at end of part number.

For BAA projects, please contact our projects quotations team.

STANDARD COLOR TEMPS AVAILABLE

300K, 3500K, 4000K, 5000K

SPECIAL ORDER COLOR TEMPS AVAILABLE

2700K, 3000K, 6500K, RED, GREEN, BLUE, AMBER

ORDERING EXAMPLE

A 20W/2700LM system is desired utilizing 2pcs of 2FT LEDBAR in 4000K running off 1pc of driver. For this system you would order:

SYSTEM: **RP-LBE-G2-20W-2FT-2L-8XX-10V** (All kits include driver)

TOTAL SYSTEM WATTAGE: **20W**

TOTAL SYSTEM LUMEN OUTPUT: **2700LM**

LENGTH OF LED BAR: **2FT** (actual 21.65in)

OF LED BARS: **2pcs**

WATTAGE PER LED BAR: **10W**

LUMENS PER LED BAR: **1350LM**

PERFORMANCE LISTED KIT PART #: **RP-LBE-G2-20W-2FT-2L-8XX-10V**

PERFORMANCE QPL PRODUCT CODE: XXXXXX

PART NUMBER BUILDER

MFR	PRODUCT	GENERATION	WATTAGE	LENGTH	# OF LAMPS	COLOR	DIMMING	OPTIONS
RP	LBE	G2	W		L	8XX		
			6	1FT	1L	8 = 80+ CRI	10V	EMG
			8	2FT	2L	XX =CCT	LVD	HV (120-347V)
			10	3FT	3L	30 = 3000K	1 Step	BAA
			12	4FT	4L	35 = 3500K	2 Step	OCC
			15			40 = 4000K		OCCLR (Limited Range)
			18			50 = 5000K		HNS111
			20					
			25					
			30					
			35					
			40					
			45					
			50					
			60					
			70					
			80					



LIGHT EFFICIENT DESIGN HEADQUARTERS 188 S. Northwest Highway • Cary, IL 60013
 INNOVATION & MANUFACTURING CENTER 30 Log Bridge Road, Building 200 • Middleton, MA 01949
 847.380.3540 • led-llc.com
 12.07.20 Information is subject to change without notice.

RP-LBE-G2 RETROFIT FOR LINEAR FLUORESCENT LUMINAIRES



ORDERING GUIDE

	PART #	BARS PER DRIVER	BAR LENGTH	TOTAL LUMENS*	PERFORMANCE CATEGORY	PERFORMANCE CODE
6W	RP-LBE-G2-6W-1FT-1L-8XX-10V	1	1FT	930		
	RP-LBE-G2-6W-1FT-2L-8XX-10V	2	1FT	900		
	RP-LBE-G2-6W-2FT-1L-8XX-10V	1	2FT	936		
	RP-LBE-G2-6W-3FT-1L-8XX-10V	1	3FT	894		
	RP-LBE-G2-6W-4FT-1L-8XX-10V	1	4FT	756		
8W	RP-LBE-G2-8W-1FT-1L-8XX-10V	1	1FT	1240		
	RP-LBE-G2-8W-1FT-2L-8XX-10V	2	1FT	1190		
	RP-LBE-G2-8W-2FT-1L-8XX-10V	1	2FT	1288		
	RP-LBE-G2-8W-3FT-1L-8XX-10V	1	3FT	1264		
	RP-LBE-G2-8W-4FT-1L-8XX-10V	1	4FT	1232		
10W	RP-LBE-G2-10W-1FT-2L-8XX-10V	2	1FT	1550		
	RP-LBE-G2-10W-1FT-3L-8XX-10V	3	1FT	1488		
	RP-LBE-G2-10W-2FT-1L-8XX-10V	1	2FT	1640		
	RP-LBE-G2-10W-2FT-2L-8XX-10V	2	2FT	1440		
	RP-LBE-G2-10W-3FT-1L-8XX-10V	1	3FT	1640		
	RP-LBE-G2-10W-4FT-1L-8XX-10V	1	4FT	1630		
12W	RP-LBE-G2-12W-1FT-2L-8XX-10V	2	1FT	1860		
	RP-LBE-G2-12W-1FT-3L-8XX-10V	3	1FT	1786		
	RP-LBE-G2-12W-2FT-1L-8XX-10V	1	2FT	1968		
	RP-LBE-G2-12W-2FT-2L-8XX-10V	2	2FT	1728	Troffer	Pending
	RP-LBE-G2-12W-2FT-3L-8XX-10V	3	2FT	1728	Troffer	Pending
	RP-LBE-G2-12W-3FT-1L-8XX-10V	1	3FT	1992		
	RP-LBE-G2-12W-3FT-2L-8XX-10V	2	3FT	1788	Troffer	Pending
	RP-LBE-G2-12W-4FT-1L-8XX-10V	1	4FT	1956		
RP-LBE-G2-12W-4FT-2L-8XX-10V	2	4FT	1848	Troffer	Pending	
15W	RP-LBE-G2-15W-1FT-2L-8XX-10V	2	1FT	2325		
	RP-LBE-G2-15W-1FT-3L-8XX-10V	3	1FT	2232		
	RP-LBE-G2-15W-2FT-2L-8XX-10V	2	2FT	2340		
	RP-LBE-G2-15W-2FT-3L-8XX-10V	3	2FT	2160	Troffer	Pending
	RP-LBE-G2-15W-3FT-1L-8XX-10V	1	3FT	2505		
	RP-LBE-G2-15W-3FT-2L-8XX-10V	2	3FT	2370		
	RP-LBE-G2-15W-3FT-3L-8XX-10V	3	3FT	2235	Troffer	Pending
	RP-LBE-G2-15W-4FT-1L-8XX-10V	1	4FT	2505		
RP-LBE-G2-15W-4FT-2L-8XX-10V	2	4FT	2310			
18W	RP-LBE-G2-18W-1FT-3L-8XX-10V	3	1FT	2790		
	RP-LBE-G2-18W-1FT-4L-8XX-10V	4	1FT	2678		
	RP-LBE-G2-18W-2FT-2L-8XX-10V	2	2FT	2898		
	RP-LBE-G2-18W-2FT-3L-8XX-10V	3	2FT	2592	Troffer	Pending
	RP-LBE-G2-18W-2FT-4L-8XX-10V	4	2FT	2592	Troffer	Pending
	RP-LBE-G2-18W-3FT-2L-8XX-10V	2	3FT	2844		
	RP-LBE-G2-18W-3FT-3L-8XX-10V	3	3FT	2682	Troffer	Pending
	RP-LBE-G2-18W-3FT-4L-8XX-10V	4	3FT	2682	Troffer	Pending
	RP-LBE-G2-18W-4FT-1L-8XX-10V	1	4FT	3024		
	RP-LBE-G2-18W-4FT-2L-8XX-10V	2	4FT	2934		
RP-LBE-G2-18W-4FT-3L-8XX-10V	3	4FT	2772	Troffer	Pending	

*Bar lumens shown



LIGHT EFFICIENT DESIGN HEADQUARTERS 188 S. Northwest Highway • Cary, IL 60013
 INNOVATION & MANUFACTURING CENTER 30 Log Bridge Road, Building 200 • Middleton, MA 01949
 847.380.3540 • led-llc.com

RP-LBE-G2 RETROFIT FOR LINEAR FLUORESCENT LUMINAIRES



ORDERING GUIDE

	PART #	BARS PER DRIVER	BAR LENGTH	TOTAL LUMENS*	PERFORMANCE CATEGORY	PERFORMANCE CODE
20W	RP-LBE-G2-20W-1FT-3L-8XX-10V	3	1FT	3100		
	RP-LBE-G2-20W-1FT-4L-8XX-10V	4	1FT	2976		
	RP-LBE-G2-20W-2FT-2L-8XX-10V	2	2FT	3220		
	RP-LBE-G2-20W-2FT-3L-8XX-10V	3	2FT	2880	Troffer	Pending
	RP-LBE-G2-20W-2FT-4L-8XX-10V	4	2FT	2880	Troffer	Pending
	RP-LBE-G2-20W-3FT-2L-8XX-10V	2	3FT	3280		
	RP-LBE-G2-20W-3FT-3L-8XX-10V	3	3FT	3160	Troffer	Pending
	RP-LBE-G2-20W-3FT-4L-8XX-10V	4	3FT	3160	Troffer	Pending
	RP-LBE-G2-20W-4FT-1L-8XX-10V	1	4FT	3360		
	RP-LBE-G2-20W-4FT-2L-8XX-10V	2	4FT	3260		
RP-LBE-G2-20W-4FT-3L-8XX-10V	3	4FT	3080	Troffer	Pending	
25W	RP-LBE-G2-25W-1FT-4L-8XX-10V	4	1FT	3875		
	RP-LBE-G2-25W-2FT-3L-8XX-10V	3	2FT	4025	Troffer	Pending
	RP-LBE-G2-25W-2FT-4L-8XX-10V	4	2FT	3900	Troffer	Pending
	RP-LBE-G2-25W-3FT-3L-8XX-10V	3	3FT	4100	Troffer	Pending
	RP-LBE-G2-25W-3FT-4L-8XX-10V	4	3FT	3950	Troffer	Pending
	RP-LBE-G2-25W-4FT-1L-8XX-10V	1	4FT	4175		
	RP-LBE-G2-25W-4FT-2L-8XX-10V	2	4FT	4175		
	RP-LBE-G2-25W-4FT-3L-8XX-10V	3	4FT	3850	Troffer	Pending
	RP-LBE-G2-25W-4FT-4L-8XX-10V	4	4FT	3850	Troffer	Pending
30W	RP-LBE-G2-30W-2FT-3L-8XX-10V	3	2FT	4920	Troffer	Pending
	RP-LBE-G2-30W-2FT-4L-8XX-10V	4	2FT	4830	Troffer	Pending
	RP-LBE-G2-30W-3FT-3L-8XX-10V	3	3FT	4980	Troffer	Pending
	RP-LBE-G2-30W-3FT-4L-8XX-10V	4	3FT	4740	Troffer	Pending
	RP-LBE-G2-30W-4FT-2L-8XX-10V	2	4FT	5040		
	RP-LBE-G2-30W-4FT-3L-8XX-10V	3	4FT	4890		
	RP-LBE-G2-30W-4FT-4L-8XX-10V	4	4FT	4620		
35W	RP-LBE-G2-35W-2FT-3L-8XX-10V	3	2FT	5740	Troffer	Pending
	RP-LBE-G2-35W-2FT-4L-8XX-10V	4	2FT	5635	Troffer	Pending
	RP-LBE-G2-35W-3FT-3L-8XX-10V	3	3FT	5810	Troffer	Pending
	RP-LBE-G2-35W-3FT-4L-8XX-10V	4	3FT	5740	Troffer	Pending
	RP-LBE-G2-35W-4FT-2L-8XX-10V	2	4FT	5880		
	RP-LBE-G2-35W-4FT-3L-8XX-10V	3	4FT	5705		
	RP-LBE-G2-35W-4FT-4L-8XX-10V	4	4FT	5390		
40W	RP-LBE-G2-40W-2FT-4L-8XX-10V	4	2FT	6560	Troffer	Pending
	RP-LBE-G2-40W-3FT-4L-8XX-10V	4	3FT	6560	Troffer	Pending
	RP-LBE-G2-40W-4FT-2L-8XX-10V	2	4FT	6680		
	RP-LBE-G2-40W-4FT-3L-8XX-10V	3	4FT	6680		
	RP-LBE-G2-40W-4FT-4L-8XX-10V	4	4FT	6520		

*Bar lumens shown



LIGHT EFFICIENT DESIGN HEADQUARTERS 188 S. Northwest Highway • Cary, IL 60013
 INNOVATION & MANUFACTURING CENTER 30 Log Bridge Road, Building 200 • Middleton, MA 01949

847.380.3540 • led-llc.com

12.07.20 Information is subject to change without notice.

RP-LBE-G2 RETROFIT FOR LINEAR FLUORESCENT LUMINAIRES



ORDERING GUIDE

	PART #	BARS PER DRIVER	BAR LENGTH	TOTAL LUMENS*	PERFORMANCE CATEGORY	PERFORMANCE CODE
45W	RP-LBE-G2-45W-2FT-4L-8XX-10V	4	2FT	7380	Troffer	Pending
	RP-LBE-G2-45W-3FT-4L-8XX-10V	4	3FT	7470	Troffer	Pending
	RP-LBE-G2-45W-4FT-2L-8XX-10V	2	4FT	7425		
	RP-LBE-G2-45W-4FT-3L-8XX-10V	3	4FT	7515		
	RP-LBE-G2-45W-4FT-4L-8XX-10V	4	4FT	7335		
50W	RP-LBE-G2-50W-4FT-2L-8XX-10V	2	4FT	8200		
	RP-LBE-G2-50W-4FT-3L-8XX-10V	3	4FT	8400		
	RP-LBE-G2-50W-4FT-4L-8XX-10V	4	4FT	8400		
60W	RP-LBE-G2-60W-4FT-3L-8XX-10V	3	4FT	10,080		
	RP-LBE-G2-60W-4FT-4L-8XX-10V	4	4FT	10,080		
70W	RP-LBE-G2-70W-4FT-3L-8XX-10V	3	4FT	11,690		
	RP-LBE-G2-70W-4FT-4L-8XX-10V	4	4FT	11,760		
80W	RP-LBE-G2-80W-4FT-4L-8XX-10V	4	4FT	13,360		

*Bar lumens shown

WHY USE THE LBE?

- **More efficient** because the higher efficiency optics, LEDs and drivers we use in these products provide higher lumens per watt and less wattage compared to LED tubes.
- **More reliable** because of the significant amount of aluminum that we use as a heat sink on the back of the LEDBAR to properly dissipate heat and keep the electronics cooler than LED tubes.
- **More universal fit** because our bars are designed to fit in between the sockets of either T5 or T8 fixtures. That means that you can specify a “4ft” LEDBAR for ANY T5 or T8 style fixture whether it be a troffer, a vapor tight, a pendant, a strip etc.
- **Less liability** because you will be getting rid of the old fluorescent tube sockets that often can lead to future issues such as arcing, early failure or even fire, all issues that have occurred in LED tube installations.
- **Better piece of mind** because the LEDBARKIT family comes standard with a 10-year system warranty. For example, something goes wrong with a UL Type A LED tube install, the contractor ends up arguing with the LED tube manufacturer, the ballast manufacturer and the socket manufacturer to see who is at blame. **By purchasing the LEDBARKIT system, RemPhos/Light Efficient Design provides a single, easy point of contact for the system warranty.**

