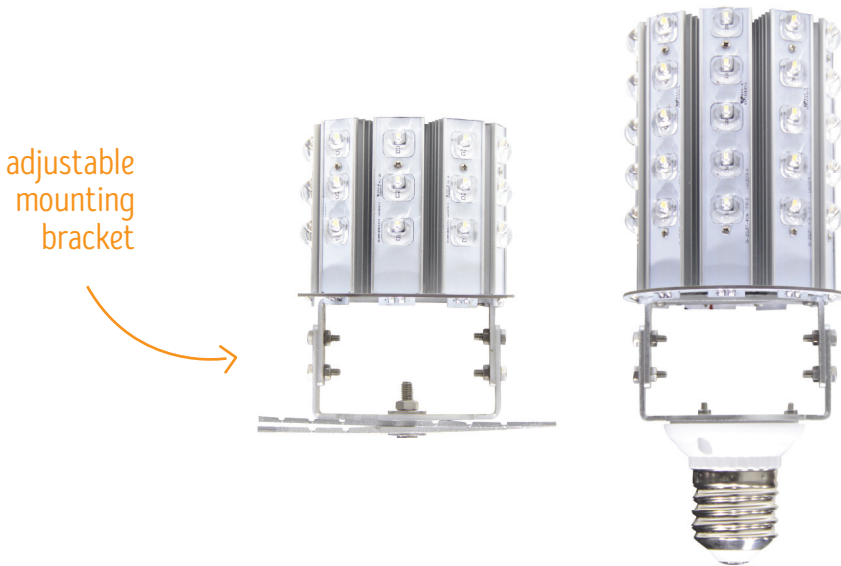


retrofitting made easy

Post-Top retrofit kit upgrades existing inefficient luminaires with HID/HPS or MH lamps into energy efficient lighting with improved efficacy and significantly lower maintenance costs.



INTEGRATED OPTICS

- Remove the socket, remove maintenance headaches! Often times sockets are old and falling apart. Our unique bracket system allows you to remove the old socket and replace it with the integrated flexible adjustable bracket system. Easy installation. Replaces any medium (E26) or mogul (E39) based Edison style socket.
- Allows the light engine to be mounted to virtually any fixture in either base up or base down orientation.
- Option for E39 base if a socket is required.

ADJUSTABLE MOUNTING HEIGHT

- Proprietary Light engine can be adjusted up and down on bracket so that light is emitted in the optimal position inside the fixture.

EXTERNAL DRIVER

DLC LISTED

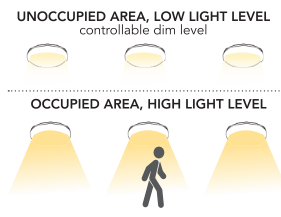
10 YEAR WARRANTY, L70 >100,000HRS

TWO LUMEN PACKAGES

ADJUSTABLE MOUNTING BRACKET OPTIONS

- Proprietary adjustable bracket system for easy installation.
- Allows the light engine to be mounted to virtually any fixture in either base up or base down orientation.

OPTIONAL HIGH/LOW MOTION SENSOR



Contact our engineering team to help choose the best low-cost integrated motion sensor which will easily install into the existing fixture, behind the lens. Our motion sensor technology can read through glass and plastic lenses.



07.08.19 Information is subject to change without notice.

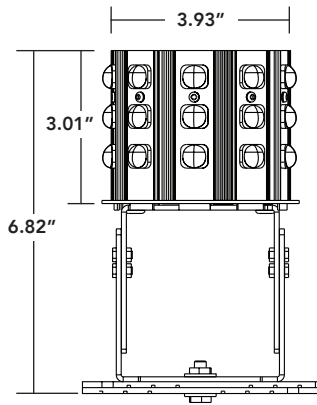
RemPhos • 877.997.3674 • www.remphos.com
30 Log Bridge Road • Building 200 • Middleton, MA 01949 • USA

RemPhos
lighting on target

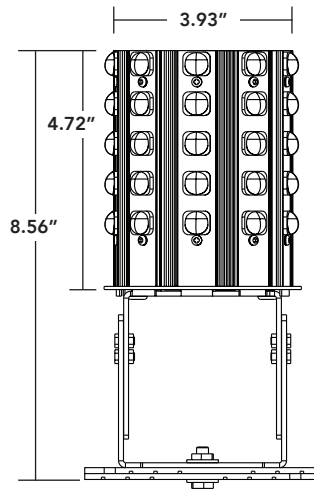
LEDSSEXT G2 HID TO LED | POST-TOP RETROFIT KIT



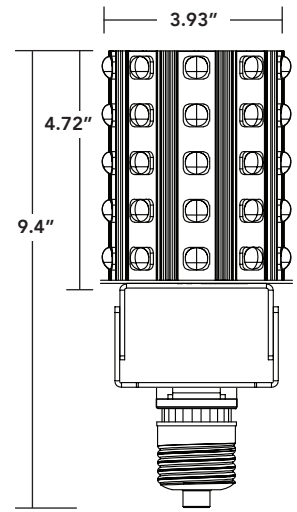
LEDSSEXT-G2-18L-X



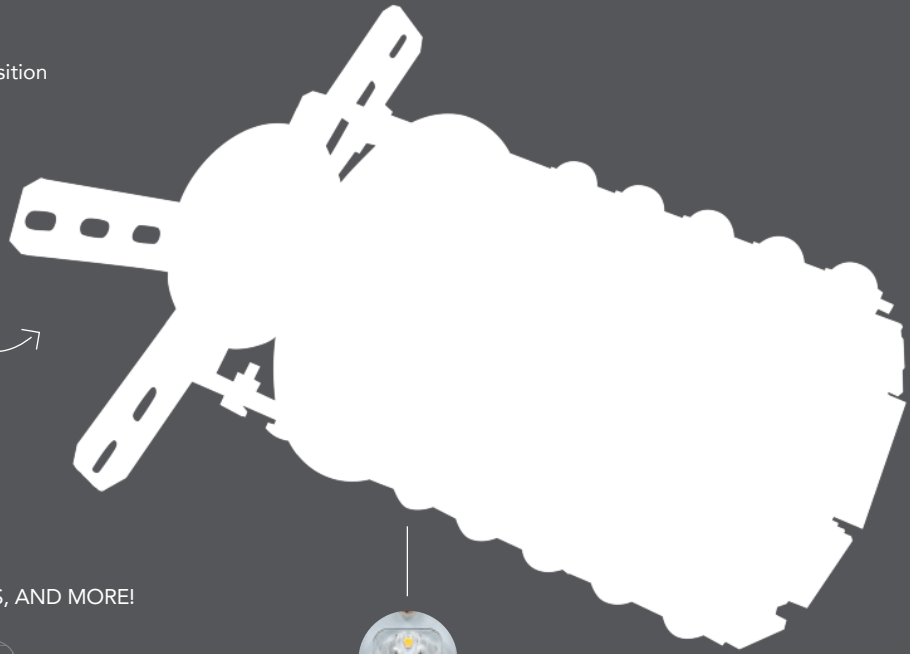
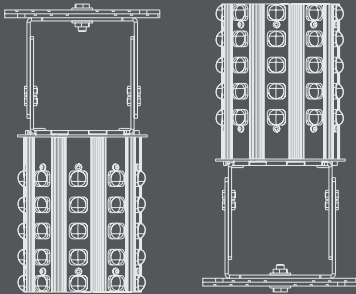
LEDSSEXT-G2-44L-X



LEDSSEXT-G2-44L-E39



ADJUSTABLE MOUNTING BRACKET
Easily mount in base up or base down position



EASILY RETROFIT THESE FIXTURE STYLES, AND MORE!



INTEGRATED PATENTED OPTICS

07.08.19 Information is subject to change without notice.

RemPhos • 877.997.3674 • www.remphos.com
30 Log Bridge Road • Building 200 • Middleton, MA 01949 • USA

RemPhos
lighting on target

LEDSSEXT G2 HID TO LED | POST-TOP RETROFIT KIT



PART NUMBER BUILDER

MFR	FAMILY	PRODUCT	GEN	LUMENS	COLOR	OPTIONS
RPT	P	LEDSSEXT	G2		740	
				18L 44L	740= 78CRI/4000K	X = X Bracket E39 = E39 Mogul Socket

ORDERING EXAMPLE

RPT-P-LEDSSEXT-G2-18L-740-X

ORDERING GUIDE

CASE QTY	ENERGY STAR	DLC	PART #	LUMEN OUTPUT (LM)	WATTAGE (W)	LPW	VOLTAGE RANGE (VAC)	WARRANTY (YRS)	PART #/KIT ON DLC QPL
4		●	RPT-P-LEDSSEXT-G2-18L-740-X	1950	15	125	120-277	10	RPT-LEDSSEXT-18L-740-X-G2
4		●	RPT-P-LEDSSEXT-G2-44L-740-X	5400	40	125	120-277	10	RPT-LEDSSEXT-44L-740-X-G2
4		●	RPT-P-LEDSSEXT-G2-44L-740-E39	5400	40	125	120-277	10	RPT-LEDSSEXT-44L-740-E39-G2

● DLC STANDARD ▲ DLC PREMIUM

07.08.19 Information is subject to change without notice.