

Catalog Number
Notes
Type

## FEATURES & SPECIFICATIONS

**INTENDED USE** — Provides general illumination for outdoor use in residential and light commercial applications. Ideal for entryways, walkways, side yards, patios, and commercial buildings creating an inviting exterior space as well as providing safety and security.

**CONSTRUCTION** — Dusk-to-dawn photocell automatically turns on at dusk and off at dawn for convenience and energy savings. The durable polycarbonate housing is offered in bronze or white. High-impact polycarbonate refractor is UV-stabilized to prevent yellowing.

**ELECTRICAL** — Standard with electronic ballast (120V, 60 Hz). Starts instantly down to -13°F (-26°C). Includes (1) 42W GX24q 4-pin base 4100K triple-tube compact fluorescent lamp.

For use with non-dimmable switches only.

**INSTALLATION** — All mounting hardware included.

**LISTINGS** — CUL Listed to US and Canadian safety standards and suitable for wet locations.

**WARRANTY** — Guaranteed for one year against mechanical defects in manufacture. (Excludes lamp)

Note: Specifications subject to change without notice.


Outdoor General Purpose

# Mini-Wall Pack Dusk-to-Dawn



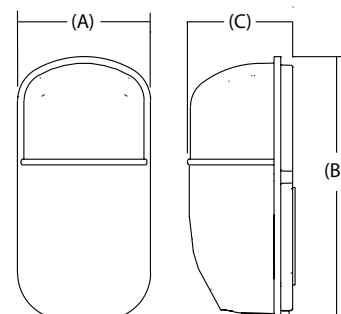
COMPACT FLUORESCENT



DIMENSIONS					
Lamp configuration	Model number	Number of lamps	(A) Width	(B) Height	(C) Extension*
	OWP3 42F	(1) 42W GX24q 4-pin base compact (TTT)	5-3/4 (14.6)	11 (27.9)	5 (12.7)

\* Maximum extension from wall.

All dimensions are inches (centimeters) unless otherwise indicated.



### ORDERING INFORMATION

Lead times will vary depending on options selected. Consult with your sales representative.

Example: OWP3 42F 120 P LP BZ

Series	Voltage	Control	Lamp	Finish
OWP3 42F (1) 42W GX24q 4-pin 4100K triple-tube compact fluorescent lamp (included)	120 120V residential electronic ballast (standard)	P Dusk-to-dawn photocell	LP Lamp included	BZ Bronze WH White

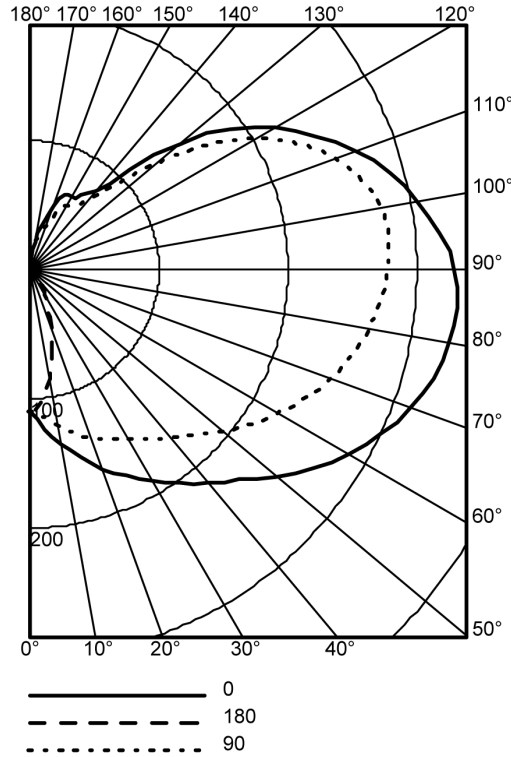
<b>Accessories:</b> Order as separate catalog number.	
CF42TRT41 4-PIN M6	42W GX24q 4-pin 4100K triple-tube compact fluorescent lamp

# Mini-Wall Pack Outdoor General Purpose

## PHOTOMETRICS

### CANDELA DISTRIBUTION

	0	45	90	135	180	Ave	Lumens
0	110	110	110	110	110	110	
5	124	120	114	106	102	114	11
15	150	152	131	90	67	121	34
25	176	185	145	67	33	125	58
35	202	215	160	43	18	132	83
45	230	240	181	25	11	141	110
55	268	261	209	14	8	155	139
65	301	278	235	9	5	169	168
75	324	289	258	7	1	181	191
85	333	294	273	7	1	187	204
90	329	294	277	7	1	188	
95	319	287	279	9	1	185	202
105	289	263	267	15	0	172	182
115	244	219	231	19	0	146	145
125	190	156	169	11	0	107	96
135	110	105	93	9	0	64	51
145	70	90	63	14	0	51	32
155	64	71	48	13	0	41	19
165	37	34	26	11	2	23	7
175	0	2	9	6	0	4	1
180	0	0	0	0	0	0	



### ZONAL LUMEN SUMMARY

Zone	Lumens	% Lamp	% Fixture
0° - 30°	103.4	3.2	6.0
0° - 40°	186.5	5.8	10.8
0° - 60°	435.2	13.6	25.1
0° - 90°	997.8	31.2	57.6
90° - 120°	527.8	16.5	30.5
90° - 130°	623.4	19.5	36.0
90° - 150°	706.4	22.1	40.8
90° - 180°	733.2	22.9	42.4
0° - 180°	1731.0	54.1	100.0

### SINGLE LUMINAIRE PERFORMANCE

Task Height: 2.5ft.

Mounting Height	Initial FC		50% beam - 85.5°		10% beam - 132.6°	
	Center Beam	Diameter	FC	Diameter	FC	FC
8.0	3.6	10.2	1.8	25.1	0.4	
10.0	2.0	13.9	1.0	34.2	0.2	
12.0	1.2	17.6	0.6	43.3	0.1	
14.0	0.8	21.3	0.4	52.4	0.1	
16.0	0.6	25.0	0.3	61.5	0.1	

LUMINAIRE EFFICIENCY: 54.1%

CIE CLASSIFICATION: General Diffuse

SPACING CRITERIA(0-Deg): 2.7

SPACING CRITERIA(90-Deg): 2.3

SPACING CRITERIA(180-Deg): 0.6

### COEFFICIENTS OF UTILIZATION

pf	20%													
	80%				50%			30%			10%		0%	
pc	70%	50%	30%	10%	50%	30%	10%	50%	30%	10%	50%	30%	10%	0%
0	59	59	59	59	47	47	47	40	40	40	34	34	34	31
1	51	47	44	41	37	35	32	31	29	27	25	24	23	20
2	45	39	35	31	31	27	25	25	23	21	20	19	17	14
3	40	34	28	24	26	22	19	22	19	16	17	15	13	11
4	37	29	24	20	23	19	16	19	16	13	15	13	11	08
5	33	26	20	17	20	16	13	16	13	11	13	11	09	07
6	31	23	18	14	18	14	11	15	12	09	12	09	07	06
7	28	20	15	12	16	12	10	13	10	08	11	08	06	05
8	26	18	14	10	14	11	08	12	09	07	10	07	06	04
9	24	17	12	09	13	10	07	11	08	06	09	07	05	04
10	23	15	11	08	12	09	06	10	07	05	08	06	04	03

### AVERAGE LUMINANCE (cd/m2)

	0°	90°	180°
45°	14146	13278	677
55°	15808	15026	472
65°	17570	17074	292
75°	19297	19544	60
85°	20893	22310	63

Calculations based on IES File Luminous Area:  
3.96 in. W x 3.0 in. L x 6.0 in. H