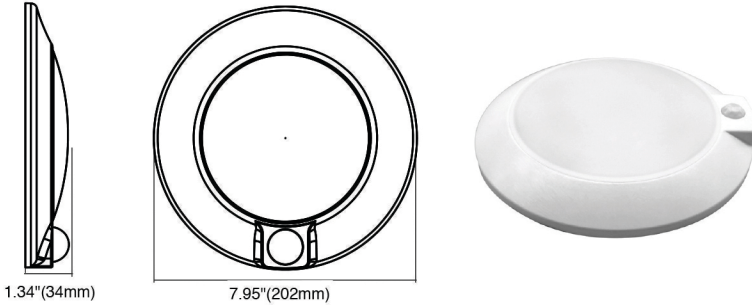


6" LED Space Lite with Motion Sensor



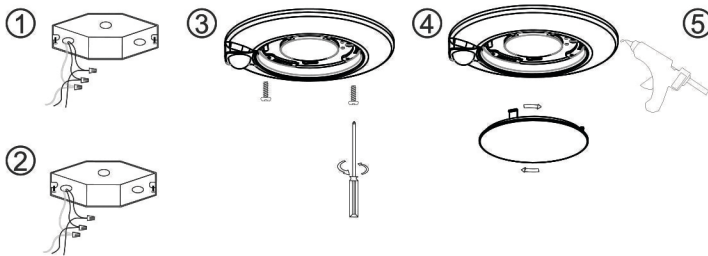
LED Closet Light provides surface mount light for new construction applications. Unit fits most 4" junction boxes. It also is suitable for use in dry, damp or wet locations.



1.34"(34mm)

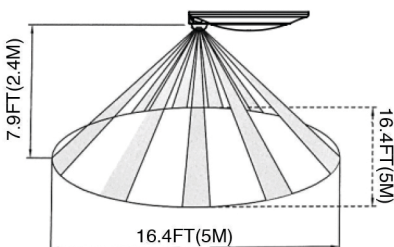
7.95"(202mm)

SURFACE MOUNT INSTALLATION

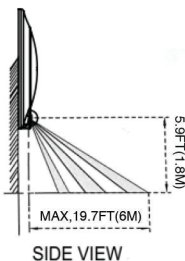


- Step 1)** Prior to installation, please install two screws (furnished) into the junction box. Do Not drive screws completely to the end of the junction box.
- Step 2)** Connect supply wires to wires in fixture wiring box with proper size wire nuts or push wires into "push-in" connector. Connect white to white, black to black, and green or bare copper wire to bare copper wire.
- Step 3)** With a Phillips screwdriver, attach the disk light tightly to the j-box.
- Step 4)** Complete the installation by twisting the diffuser on the disk light aluminum enclosure and lock the diffuser in place.
- Step 5)** For wet location applications, seal the edge of the Click and ceiling surface with waterproof silicone (Not provided).

Sensor Detection Range:



Ceiling Mount sensor Detection Range



Wall Mount sensor Detection Range

Technical Specifications

Voltage: 120v, 60Hz ac operation.
 Wattage: 15W
 Lumens: 900 lumens, CRI90+,
 Diffuser: Translucent White PC Opal Diffuser.
 Hardware: All mounting screws and wire connectors.
 Tool Use: Phillips Screw Driver and Glue gun
 Warranty: Five year, limited warranty.

WARNING: For your safety read and understand instructions completely before starting installation. Before wiring to power supply, turn off electricity at the fuse or circuit breaker box.



WARNING

Risk of Fire
 Supply conductors (power wires) connecting the fixture must be rated minimum 90°C
 If uncertain, consult an electrician

Risk of Electric Shock
 Disconnect power at fuse or circuit breaker before installing or servicing

Risk of Fire/Electric Shock
 If not qualified, consult an electrician



ADVERTENCIA

Riesgo de incendio
 Los cables de alimentación (cables distribuidores de corriente) conectados a la lámpara deben poder resistir temperaturas de 90°C como mínimo.
 Si no está seguro, consulte con un electricista.

Riesgo de descarga eléctrica
 Desconectar la electricidad en la caja de fusibles o del disyuntor antes de hacer la instalación o realizar tareas de mantenimiento

Riesgo de incendio/ descarga eléctrica
 Si usted no está habilitado, consulte con un electricista

ADVERTENCIA: Por su propia seguridad, lea cuidadosamente y entienda las instrucciones antes de iniciar la instalación. Antes de conectar la lámpara a la fuente eléctrica, desconecte dicha fuente desde la caja de fusibles o bajando la palanca principal.