



DS-LED-4-S12W

4" Round Indirect Slim Recessed LED 12W



Project: _____

Location: _____

Model: _____ Qty: _____

Notes: _____

DESCRIPTION

4" Round Indirect Slim Recessed LED With Integral Driver In Connection Box

FEATURES & BENEFITS

Indirect Light for reduced glare

1 5/8" Thick - Fits in tight ceiling spaces

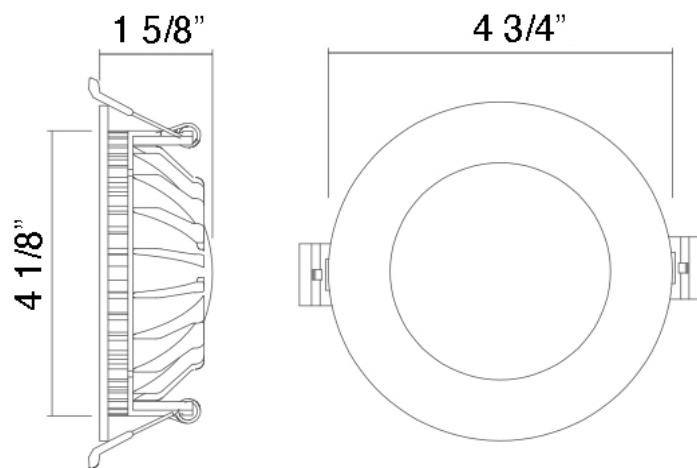
Type IC Rated - No Housing Required

Driver Inside Connection Box - No Junction Box Needed

5 CCT User Selectable 2700 - 3000 - 3500 - 4000 - 5000K

CRI 90+ for True Color Rendering

DIMENSIONS ID 4 1/8" OD 4 3/4" Depth 1 5/8"
Cut Out 4 1/4" Round Hole



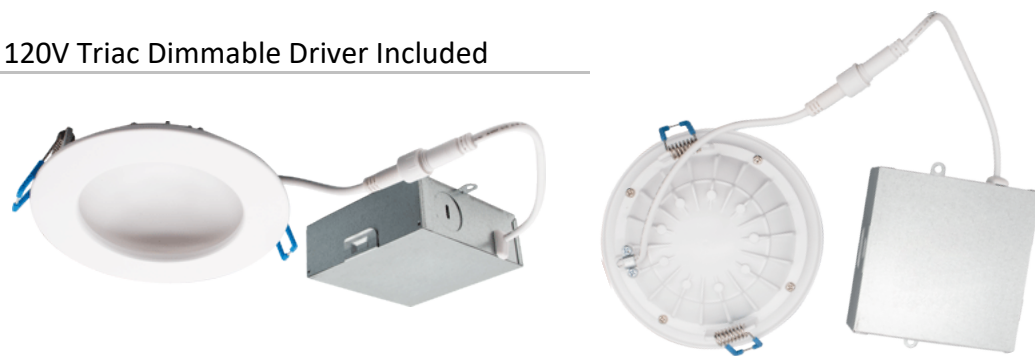
SPECIFICATION	
Applications	Renovations & New Construction
Energy Used	12 W
Color Temperature (K)	5CCT : 2700 - 3000 - 3500 - 4000 - 5000
Light Output (lm)	710 - 750 - 780 - 780 - 740
Halogen Equivalent	75 W
Beam Angle	130°
CRI	90 +
Driver Input	120V AC 50/60 Hz
Dimming	TRIAC Dimmers 10% - 100%
Junction Box Volume	9.69 cubic inches / Max 5 No 12 AWG or 8 No 14 AWG
Approved Location	Insulated Ceiling & Damp Locations
Air Tight	Yes
Ambient Temperature	-4°F (-20°C) to +104°F (+40°C)
Projected Life	70% Light Output at 50,000 Hours
Certification	cETLus
Warranty	3 Year

TRIM OPTIONS



White Trim in stock
Other colors available by custom order

120V Triac Dimmable Driver Included



ORDERING GUIDE

	CCT	Trim
DS-LED-4-S12W-5CCT-WH	5CCT	White



ACCESSORIES

Sold Separately



[13" Mounting Plate Flat model # MP4-2](#)



[26" Flat Rough-In Plates model # RIP4](#)



[Flanged Plate with Hanger Bars model # FRP4](#)



[Jumper Cable 10 ft. Model # JC-5CCT-10](#)



[Goof Ring OD 5 3/4" model # GR4](#)

Lotus LED Lights USA

250 H Street # 301, Blaine WA 98230 tel 360-200-5500
Hainesport NJ, Naples FL, Vancouver WA

www.LotusLEDLights.com

mailing addresses
warehouses

Lotus LED Lights CANADA

702 Chester Rd, Delta BC V3M 6J1 tel 604-538-3090
Delta BC & Mississauga ON