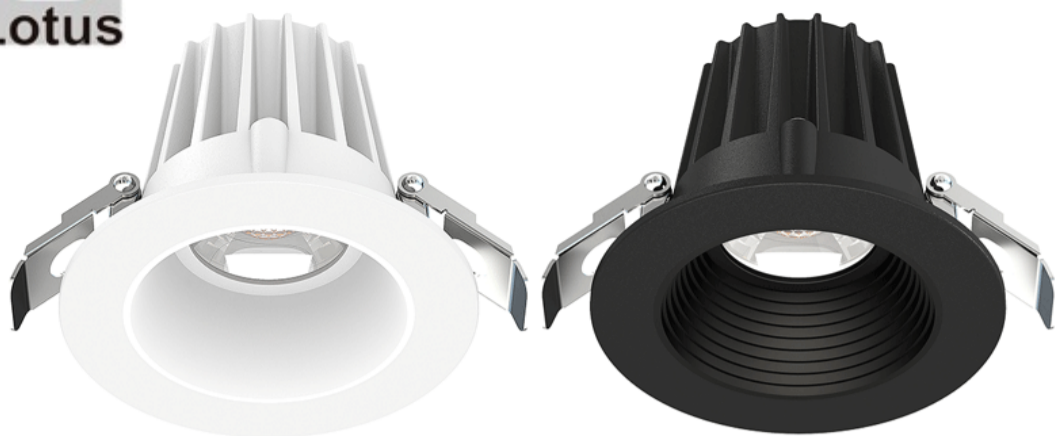




JXL-COB02-R08W-CCT

2" Round Recessed Economy LED 8W 3CCT



Project: _____

Location: _____

Model: _____ Qty: _____

Notes: _____

DESCRIPTION

2" Round Recessed Economy LED With Integral Driver In Connection Box
Available with White & Black trims and Smooth & Baffle Reflectors

FEATURES & BENEFITS

- 3 CCT User Selectable
- CRI 90+ for True Color Rendering
- Type IC Rated - No Housing Required
- Fast & Easy To Install - Save On Labor
- 2 3/4" Deep - Install Where Ceiling Space Is Limited
- 120V Triac Dimmable Driver with Wiring Compartment Included

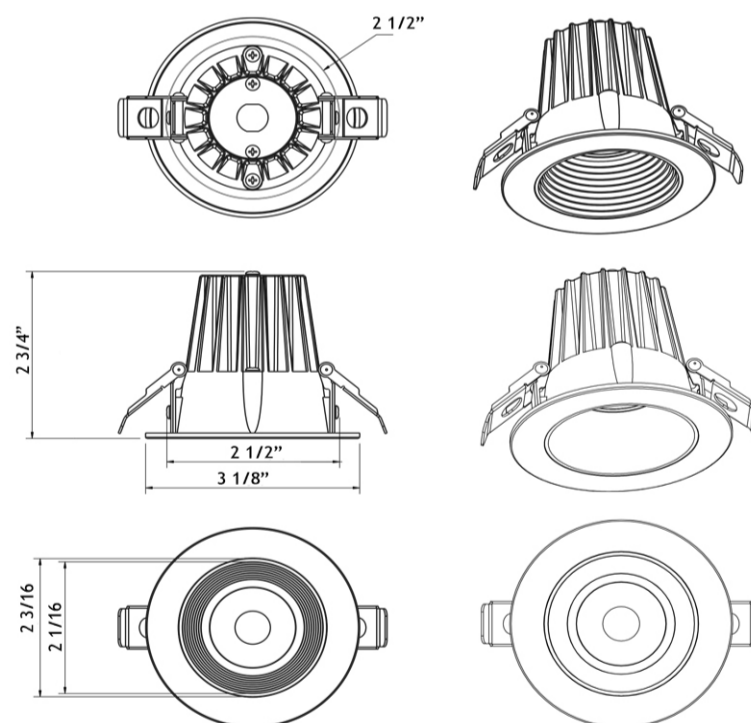
DIMENSIONS Fixture: OD 3 1/8" ID 2 1/16" Depth 2 3/4"
Driver: 5 1/4" x 1 3/4" x 1 1/8" Cut Out: 2 1/2" to 2 3/4"

SPECIFICATION	
Applications	Residential Recessed
Energy Used	8 W
Color Temperature (K)	3000 4000 5000
Light Output WH Reflector (lm)	620 670 650
Light Output BK Reflector (lm)	520 570 550
Beam Angle	36°
CRI	90 +
Driver Input	120V AC 50/60 Hz
J-Box Volume	3.88 in ³
Dimming	TRIAC Dimmers 20% - 100%
Approved Location	Insulated Ceiling & Damp Locations
Air Tight	Yes
Ambient Temperature	-4°F (-20°C) to +104°F (+40°C)
Projected Life	70% Light Output at 30,000 Hours
Certification	c ETL us
Warranty	3 Year

TRIM & REFLECTOR OPTIONS



2RR-SM-WH Smooth White **2RR-BF-WH** Baffle White **2RR-SM-BK** Smooth Black **2RR-BF-BK** Baffle Black



ORDERING GUIDE

	Trim	Reflector
JXL-COB02-R08W-CCT-WH-2RR-SM-WH	White	Smooth White
JXL-COB02-R08W-CCT-WH-2RR-BF-WH	White	Baffle White
JXL-COB02-R08W-CCT-WH-2RR-SM-BK	White	Smooth Black
JXL-COB02-R08W-CCT-WH-2RR-BF-BK	White	Baffle Black
JXL-COB02-R08W-CCT-BK-2RR-SM-WH	Black	Smooth White
JXL-COB02-R08W-CCT-BK-2RR-BF-WH	Black	Baffle White
JXL-COB02-R08W-CCT-BK-2RR-SM-BK	Black	Smooth Black
JXL-COB02-R08W-CCT-BK-2RR-BF-BK	Black	Baffle Black

ACCESSORIES

Sold Separately

