

6" Round Economy Super Thin Recessed LED 14W



Type IC, Wet & Air-Tight

DESCRIPTION

6" Round Recessed LED With Integral Driver In Connection Box
Fits Where No Other Recessed Fixture Can

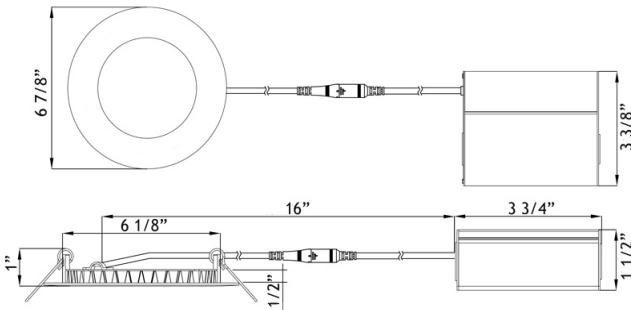
FEATURES & BENEFITS

- 1/2" Deep - Install Directly Under Joists - Maximum Layout Flexibility
- Driver Inside Connection Box - No Junction Box Needed
- Fast & Easy To Install - Save On Labor
- Type IC Rated - No Housing Required

MOUNTING

Cut Hole In Ceiling And Snap Fixture In Opening With Attached Spring Clips. Ceiling Clearance Required For Driver: 1 1/2"

DIMENSIONS: ID 6 1/8" OD 6 3/4" Cut Out 6 1/4" to 6 1/2"



120V TRIAC Dimmable
Driver Included

Optional 120V - 347V
Driver 0-10V Dimmable



AVAILABLE TRIMS



ORDERING GUIDE Example: **LB6R / 30K / WH**

	CCT	Trim Finish	
LB6R	/	/	
3000K	30K	WH	White
4100K	41K	BK	Black

Project: _____

Location: _____

Cat #: _____ Qty: _____

Notes: _____

SPECIFICATION

Applications	Recessed Ceiling, Showers & Soffits	
Energy Used	14 W	
Colour Temperature	3000	4100
Light Output	900	930
Halogen Equivalent	90 W	
Beam Angle	110°	
CRI	80	
Default Driver Input	120V AC	Triac Dimmable
Optional Driver Input	120V-347V AC	0-10V Dimmable
Power Factor	0.95	
Approved Location	Insulated Ceiling, Wet & Damp Locations	
IP Rating	IP 54	
Air Tight	Yes	
Ambient Temperature	-40°F (-40°C) to +104°F (+40°C)	
Projected Life	70% Light Output at 36,000 Hours	
Certification	cULus, Energy Star	
Warranty	5 Year	

ACCESSORIES

Sold Separately



Low Voltage Extension Cables
10ft - cat # **EXC10**
Max 40 ft Allowed. FT4 / CMR rated



Flat Rough-In Plates - cat # **RIP6**



Flanged Rough-In Plate - cat # **FRP6**



Goof Ring White OD 7 5/8" cat # **GR6**

COMPLIANCE



**Type IC
Air-Tight**