



DESCRIPTION

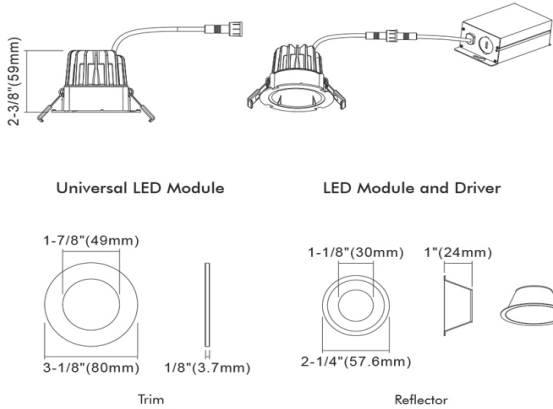
2" Recessed LED With Integral Driver In Connection Box
Interchangeable Reflectors, Trims & Lens Available

FEATURES & BENEFITS

- 600 Lm Output** - Designer Series Fixture
- CRI 90+** for True Color Rendering
- 2 3/8" Thick** - Install Where Ceiling Space Is Limited
- Type IC Rated** - No Housing Required
- Fast & Easy To Install** - Save On Labor
- Driver Inside Connection Box** - No Junction Box Needed

DIMENSIONS: ID 1 7/8" ; OD 3 1/8" ; Cut Out Needed For Driver 2 3/4"

Ceiling Clearance Required: 4 1/2" 120V Triac Dim Driver Included



ACCESSORIES

- Sold Separately
- Mounting Plate cat # **MP234**
 - Jumper Cables 10 ft cat # **JC10**
 - Goof Ring OD 4 1/2"
White cat # **GR3** Black cat # **GR3-BK**

ORDERING GUIDE

	CCT	Reflector	Trim
LED-2-S8W2	- xxK	- 2RRxx	- 2xxx
Example:			
LED-2-S8W2	-30K	- 2RRWH	- 2RTWH
	3000K	Reflector	Trim
		White	White

Default beam angle is 38°

Optional beam angle 24°

LED-2-S8W2

2" Recessed LED 8W Designer Series

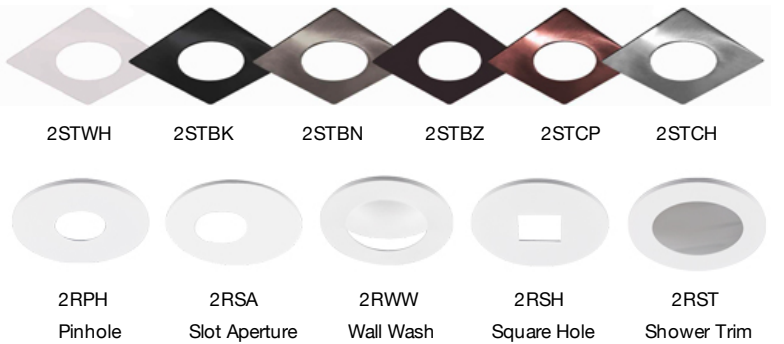
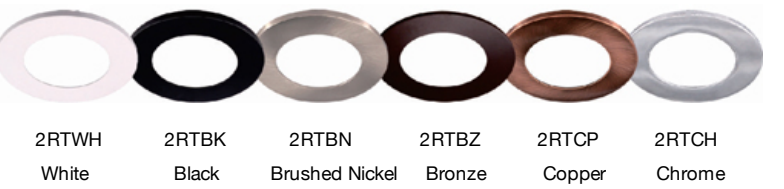
Project: _____

Location: _____

Trim: _____ Reflector: _____ Qty: _____

Notes: _____

SPECIFICATION	
Applications	Commercial & High End Residential
Energy Used	8 W
Color Temperature (K)	2700 3000 4000
Light Output (lm)	580 600 620
Halogen Equivalent	50 W
Beam Angle	38° (default) or 24° (custom)
CRI	90 +
Driver Input	120V AC 50/60 Hz
J-Box Volume	6.53 in ³ / 2 in 2 out 12AWG
Dimming	TRIAC Dimmers 10% - 100%
Approved Location	Insulated Ceiling & Damp Locations
Air Tight	Yes
Ambient Temperature	-4°F (-20°C) to +104°F (+40°C)
Projected Life	70% Light Output at 50,000 Hours
Certification	cETLus, Energy Star, T24
Warranty	5 Year



Other Colors of Reflectors and Trims Available By Custom Order