



LSD-3K

Mini Die-Cast LED Step Light



Project: _____

Location: _____

Qty: _____

Notes: _____

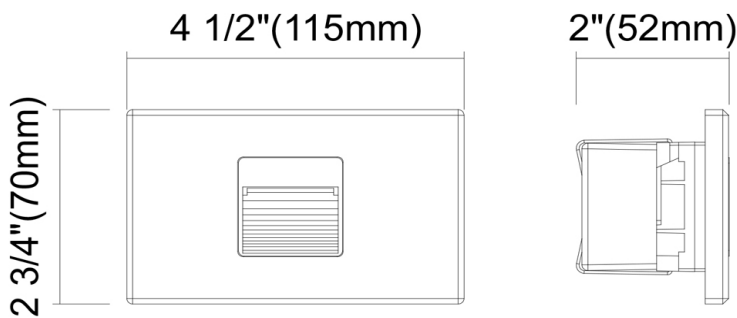
DESCRIPTION

Light by Lotus Step or Wall Light can be used Indoor & Outdoor
 Great for highlighting stairs, walls & walkways
 Dual Horizontal & Vertical mounting option in one fixture

FEATURES & BENEFITS

- 2.5W total power consumption
- No remote driver needed
- Fits into 2" x 4" junction box
- ETL listed for wet locations

DIMENSIONS 4 1/2" x 2 3/4" Faceplate Thickness 5/16"



SPECIFICATION

SPECIFICATION	
Applications	Stairways, Walkways, Patios, Decks
Energy Used (W)	2.5 W
Color Temperature (K)	3000 K
Light Output (lm)	125 lm
Halogen Equivalent	15 W
CRI	90 +
Input	120 V AC
Dimming	Not dimmable
Ambient Temperature	-4° F (-20° C) to +104° F (+40° C)
Approved Location	Wet & Dry
Projected Life	70% Light Output at 50,000 Hours
Certification	cETLus
Warranty	5 Year

Mounting and Trim Options



ORDERING GUIDE

CCT	Trim Color	Model
3000K	White	LSD-3K-WH
3000K	Black	LSD-3K-BK

Other Light and Trim Colors Available
 By Custom Order

Lotus LED Lights USA

250 H Street # 301, Blaine WA 98230 tel 360-200-5500
 Warehouses: Hainesport NJ, Naples FL, Dallas TX, Las Vegas NV, Lynnwood WA

www.LotusLEDLights.com

Lotus LED Lights CANADA

800-15355 24 Ave Box 200, Surrey BC V4A 2H9 tel 604-538-3090
 Delta BC & Mississauga ON