



# LSG3-5SSL

## 5" Square Sloped Regressed Gimbal LED 7.5W

Project: \_\_\_\_\_

Location: \_\_\_\_\_

Model #: \_\_\_\_\_ Qty: \_\_\_\_\_

Notes: \_\_\_\_\_

### DESCRIPTION

5" Square Sloped Regressed Gimbal LED  
 With Integral Driver In Connection Box  
 Gimbal Yet Air-Tight Without Housing Needed  
 30° Sloped Trim for Wall Washing and Ceilings from 5° to 55°

### FEATURES & BENEFITS

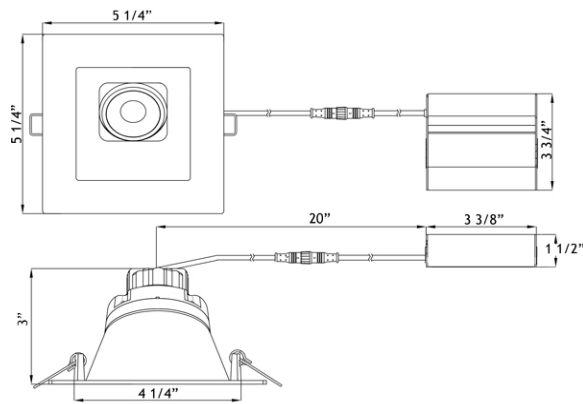
3" Deep - Install Where Ceiling Space Is Limited  
 Type IC Rated - No Housing Required  
 Driver Inside Connection Box - No Junction Box Needed  
 CRI 90+ for True Color Rendering  
 Available in single CCT, Dim to Warm, & 5CCT

### MOUNTING

Cut Hole In Ceiling And Snap Fixture In Opening With Attached Spring Clips. Ceiling Clearance Required: 3"

DIMENSIONS: ID 4 1/2" OD 5 1/4" square

Cut Out 4 1/2" to 5" Round Hole



### AVAILABLE TRIMS



White



Black

### ORDERING GUIDE Example: LSG3 - 30K - 5SSL - WH

	CCT	Trim Finish	
<b>LSG3</b>	<b>- xxK</b>	<b>- 5SSL - xx</b>	
2700K	<b>27K</b>	<b>5SSL - WH</b>	<a href="#">White</a>
3000K	<b>30K</b>	<b>5SSL - BK</b>	<a href="#">Black</a>
3500K	<b>35K</b>		
4000K	<b>40K</b>		
5000K	<b>50K</b>		
DTW 3K-2K	<b>32K</b>	Dim to Warm 3000K to 2000K	
5CCT	<b>5CCT</b>	User selectable 27-30-35-40-50K	

SPECIFICATION	
Applications	Sloped Ceilings 5° to 55°, Wall Washing
Energy Used	7.5 W
Color Temperature	2700   3000   3500   4100   5000   DTW   5CCT
Light Output	580   600   620   630   650   500
Halogen Equivalent	50 W
Beam Angle	38° with 20° tilt and 360° rotation
CRI	90 +
Default Driver Input	120V AC Triac Dimmable
Optional Driver Input	120V-347V AC 0-10V Dimmable
Junction Box Wire Capacity	Max 5 No 12 AWG or 8 No 14 AWG
Power Factor	0.95
Approved Location	Insulated Ceilings, Wet Location
IP Rating	IP 54
Air Tight	Yes
Ambient Temperature	-40°F (-40°C) to +104°F (+40°C)
Projected Life	70% Light Output at 50,000 Hours
Certification	cULus, Energy Star (except DTW & 5CCT), T24
Warranty	10 Year Residential / 5 Year Commercial

120V TRIAC Dimmable

Driver Included

Optional 120V-347V Driver

0-10V Dimmable

Order Separately as

[model # LLL-LD0716T](#)



### ACCESSORIES

Sold Separately

Low Voltage Extension Cables. Max 40 ft Allowed

[6ft - model # EXC6](#)

[20ft - model # EXC20](#)



[Flat Rough-In Plates - model # RIP5](#)



[Flanged Plate with Hanger Bars model # FRP412](#)

### COMPLIANCE



Type IC

Air-Tight

Wet Location

USA Patent # US 10,344,952 B2 | Canada # 2,967,954 | Other Patents Pending

### Lotus LED Lights USA

250 H Street # 301, Blaine WA 98230 tel 360-200-5500  
 Hainesport NJ, Naples FL, Dallas TX, Vancouver WA

[www.LotusLEDLights.com](http://www.LotusLEDLights.com)

mailing addresses  
 warehouses

### Lotus LED Lights CANADA

702 Chester Rd, Delta BC V3M 6J1 tel 604-538-3090  
 Delta BC & Mississauga ON