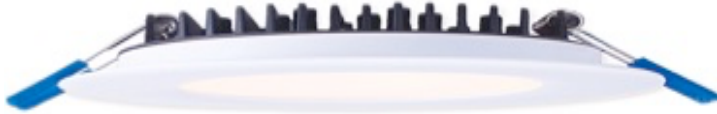


## 6" Round Slim Recessed LED 15W Wet Location



**Type IC, Wet & Air-Tight**

### DESCRIPTION

6" Round Recessed LED With Integral Driver In Connection Box

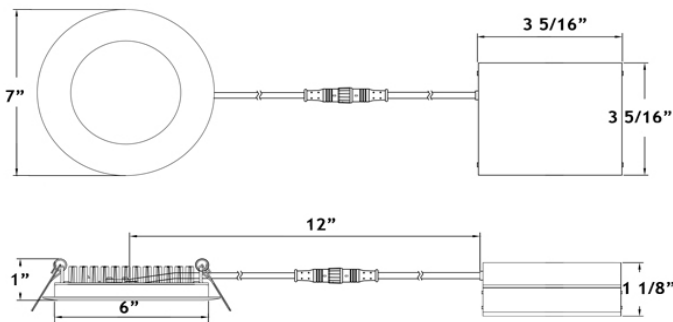
### FEATURES & BENEFITS

- 1" Deep - Install Where Ceiling Space Is Limited
- Driver Inside Connection Box - No Junction Box Needed
- Fast & Easy To Install - Save On Labor
- Type IC Rated - No Housing Required

### MOUNTING

Cut Hole In Ceiling And Snap Fixture In Opening With Attached Spring Clips. Ceiling Clearance Required For Driver: 1 1/2"

**DIMENSIONS:** ID 6" OD 7" Cut Out 6" to 6 1/2"



120V TRIAC Dimmable

Driver Included

Optional 120V - 347V

Driver 0-10V Dimmable



Order Separately as  
Cat # LLL-LD1535T

### AVAILABLE TRIMS



White

ORDERING GUIDE Example: **LY61RCD / 30K / WH / WET**

	CCT	Trim Finish	
<b>LY61RCD</b>	/	/ WH	/ WET
3000K	<b>30K</b>	White	
4100K	<b>41K</b>		

Project: \_\_\_\_\_

Location: \_\_\_\_\_

Cat #: \_\_\_\_\_ Qty: \_\_\_\_\_

Notes: \_\_\_\_\_

### SPECIFICATION

Applications	Recessed Ceiling	
Energy Used	15 W	
Colour Temperature	3000	4100
Light Output	850	900
Halogen Equivalent	75 W	
Beam Angle	110°	
CRI	80	
Default Driver Input	120V AC	Triac Dimmable
Optional Driver Input	120V-347V AC	0-10V Dimmable
Power Factor	0.95	
Approved Location	Insulated Ceiling & Wet Locations	
IP Rating	IP 54	
Air Tight	Yes	
Ambient Temperature	-40°F (-40°C) to +104°F (+40°C)	
Projected Life	70% Light Output at 50,000 Hours	
Certification	cULus, Energy Star	
Warranty	10 Year on Residential	
	5 Year on Commercial Applications	

### ACCESSORIES

Sold Separately



Low Voltage Extension Cables  
6ft - cat # **EXC6**, 20ft - cat # **EXC20**  
Max 40 ft Allowed. FT4 / CMR rated



Flat Rough-In Plates - cat # **RIP6**



Flanged Rough-In Plate - cat # **FRP6**



Goof Ring White OD 7 5/8" cat # **GR6**

### COMPLIANCE



Type IC  
Air-Tight