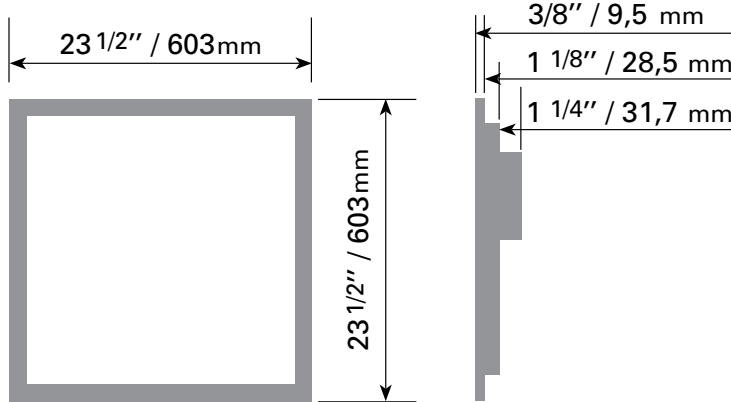


CLPBL 2X2-40W / 30K

TECHNICAL SPECIFICATIONS

- Sizes: 24" x 24"
- Color: WH-White
- 120 V - 277 V / 40 WATTS
- CRI: > 80
- 4898 LUMENS
- Degrees Kelvin: 3000K
- SDCM: < 7
- IC
- Approved for wet locations

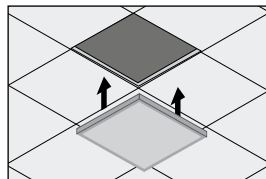
SIZES / LED PANEL 2X2



INSTALLATION

1. RECESSED

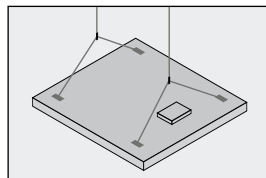
- Remove the suspended ceiling panel you wish to change
- Install the LED panel in the available space



2. HANGING (optional)

CLPBL-SUSP

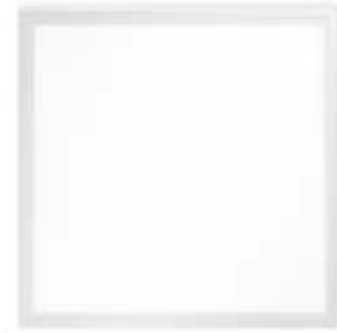
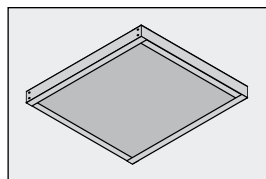
- 39" cable system for hanging the device



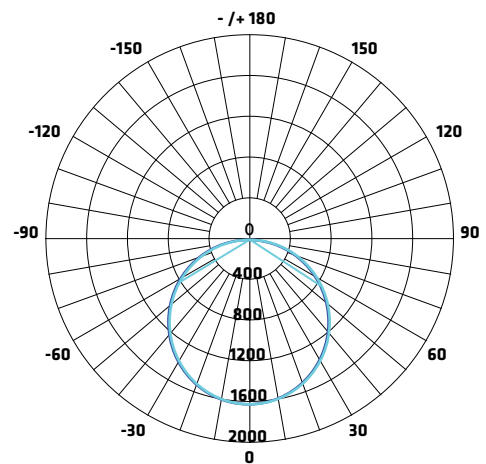
3. CEILING MOUNTED (optional)

CLPBL-FRAME 2X2

- Metal frame for turning the device into a ceiling light



LUMINOUS INTENSITY DISTRIBUTION DIAGRAM



ANGLE MOYEN DU FAISCEAU (50%) : 114.3°

Unité : CD — C0/180, 114.6° — C22.5/202.5, 114.5°
— C45/225, 114.3° — C90/270, 113.9°

FIGURE AAI

Flux out : 3495 lm

Hauteur	E moyen	E max	Diamètre
1 m	469.2	1631 Lx	307.18 cm
2 m	117.3	407.8 Lx	614.35 cm
3 m	52.13	181.2 Lx	921.53 cm
4 m	29.32	101.9 Lx	1228.70 cm
5 m	18.77	65.24 Lx	1535.88 cm
6 m	13.03	45.31 Lx	1843.05 cm
7 m	9.575	33.29 Lx	2150.23 cm
8 m	7.331	25.48 Lx	2457.41 cm
9 m	5.792	20.14 Lx	2764.58 cm
10 m	4.692	16.31 Lx	3071.76 cm

Note : Les courbes indiquent la zone éclairée et la moyenne d'éclairage lorsque le luminaire est à différentes distances.

Angle : 113.86 deg



4300 Grande-Allée Blvd, Boisbriand
QC, Canada J7H 1M9

450 979-0667

info@lumifaro.com
www.lumifaro.com

CLIENT:

PROJECT:

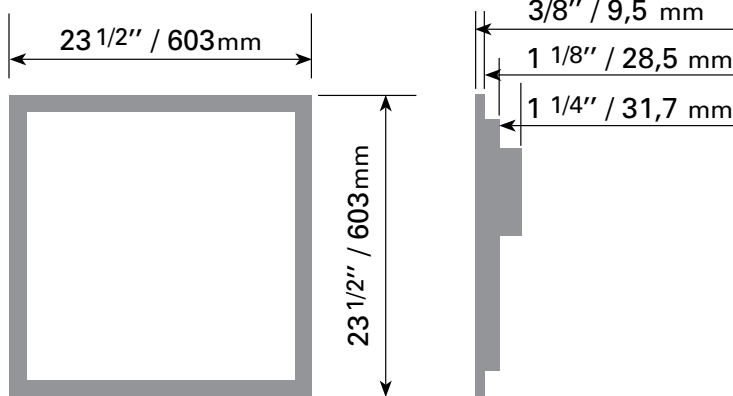
DATE:

CLPBL 2X2-40W / 40K

TECHNICAL SPECIFICATIONS

- Sizes: 24" x 24"
- Color: WH-White
- 120 V - 277 V / 40 WATTS
- CRI: > 80
- 5043 LUMENS
- Degrees Kelvin: 4000K
- SDCM: < 7
- IC
- Approved for wet locations

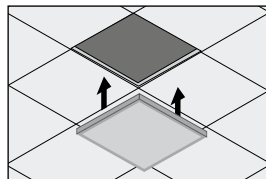
SIZES / LED PANEL 2X2



INSTALLATION

1. RECESSED

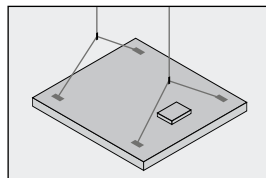
- Remove the suspended ceiling panel you wish to change
- Install the LED panel in the available space



2. HANGING (optional)

CLPBL-SUSP

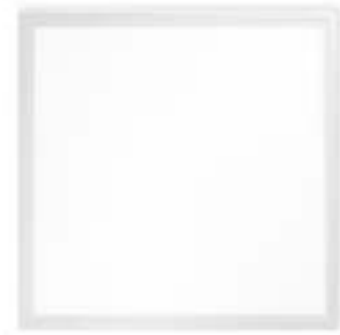
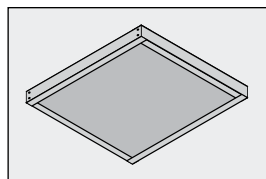
- 39" cable system for hanging the device



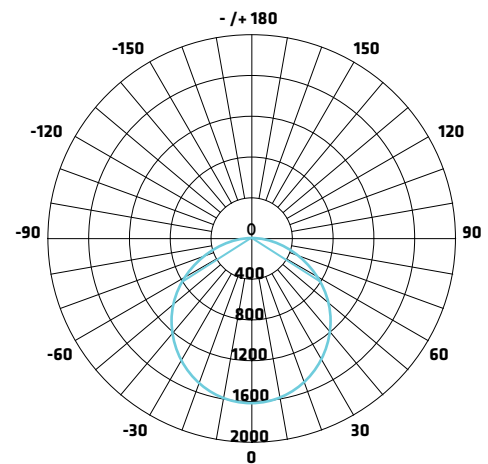
3. CEILING MOUNTED (optional)

CLPBL-FRAME 2X2

- Metal frame for turning the device into a ceiling light



LUMINOUS INTENSITY DISTRIBUTION DIAGRAM



ANGLE MOYEN DU FAISCEAU (50%) : 114.3°

Unité : CD — C0/180, 114.6° — C22.5/202.5, 114.5°

— C45/225, 114.3° — C90/270, 113.9°

FIGURE AAI

Flux out : 3432 1m

Hauteur	E moyen	E max	Diamètre
1 m	460.7	1601 Lx	307.53 cm
2 m	115.2	400.3 Lx	615.06 cm
3 m	51.19	177.9 Lx	922.58 cm
4 m	28.79	100.1 Lx	1230.11 cm
5 m	18.43	64.05 Lx	1537.64 cm
6 m	12.80	44.48 Lx	1845.17 cm
7 m	9.402	32.68 Lx	2152.69 cm
8 m	7.199	25.02 Lx	2460.22 cm
9 m	5.688	19.77 Lx	2767.75 cm
10 m	4.607	16.01 Lx	3075.28 cm

Angle : 113.92 deg

Note : Les courbes indiquent la zone éclairée et la moyenne d'éclairage lorsque le luminaire est à différentes distances.

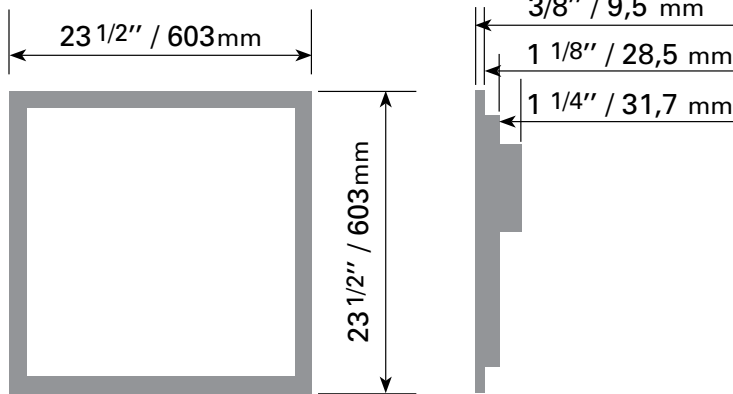
CLIENT:
PROJECT:
DATE:

CLPBL 2X2-40W / 50K

TECHNICAL SPECIFICATIONS

- Sizes: 24" x 24"
- Color: WH-White
- 120 V - 277 V / 40 WATTS
- CRI: > 80
- 4860 LUMENS
- Degrees Kelvin: 5000K
- SDCM: < 7
- IC
- Approved for wet locations

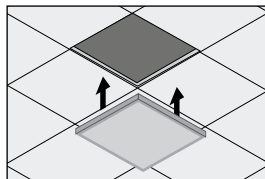
SIZES / LED PANEL 2X2



INSTALLATION

1. RECESSED

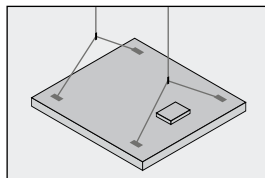
- Remove the suspended ceiling panel you wish to change
- Install the LED panel in the available space



2. HANGING (optional)

CLPBL-SUSP

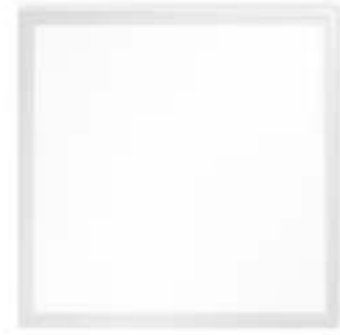
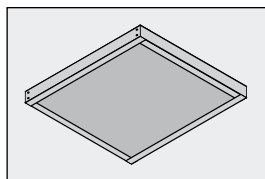
- 39" cable system for hanging the device



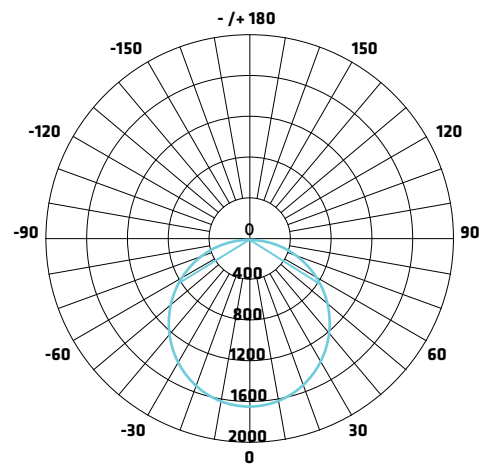
3. CEILING MOUNTED (optional)

CLPBL-FRAME 2X2

- Metal frame for turning the device into a ceiling light



LUMINOUS INTENSITY DISTRIBUTION DIAGRAM



ANGLE MOYEN DU FAISCEAU (50%) : 114.3°

Unité : CD — CO/180,114.6° — C22.5/202.5,114.5°

— C45/225,114.3° — C90/270,113.9°

FIGURE AAI

Flux out : 3587 1m

Hauteur	E moyen	E max	Diamètre
1 m	481.5	1674 Lx	307.06 cm
2 m	120.4	418.5 Lx	614.12 cm
3 m	53.50	186.0 Lx	921.18 cm
4 m	30.09	104.6 Lx	1228.23 cm
5 m	19.26	66.97 Lx	1535.29 cm
6 m	13.37	46.51 Lx	1842.35 cm
7 m	9.826	34.17 Lx	2149.41 cm
8 m	7.523	26.16 Lx	2456.47 cm
9 m	5.944	20.67 Lx	2763.53 cm
10 m	4.815	16.74 Lx	3070.58 cm

Angle : 113.84 deg

Note : Les courbes indiquent la zone éclairée et la moyenne d'éclairage lorsque le luminaire est à différentes distances.

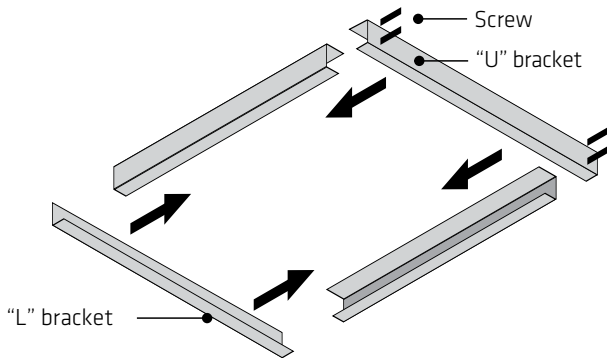
INSTALLATION OPTIONS

SURFACE INSTALLATION

CLPBL-FRAME

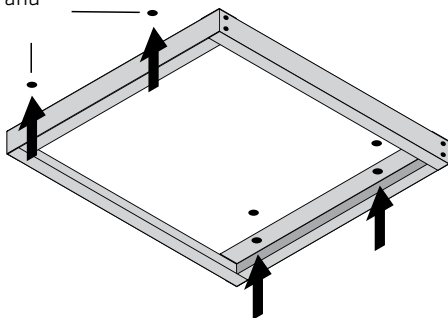
- CLPBL-1X4: 12" X 48" X 2 3/4"
- CLPBL-2X2: 24" X 24" X 2 3/4"
- CLPBL-2X4: 24" X 48" X 2 3/4"

1. ASSEMBLE THE FRAME



2. ATTACH THE FRAME TO THE CEILING

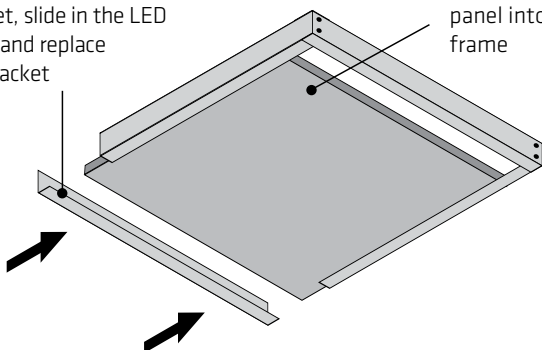
Drill 6 mm holes in the ceiling and screw in



3. INSTALL THE LED PANEL

Remove the "L" bracket, slide in the LED panel and replace the bracket

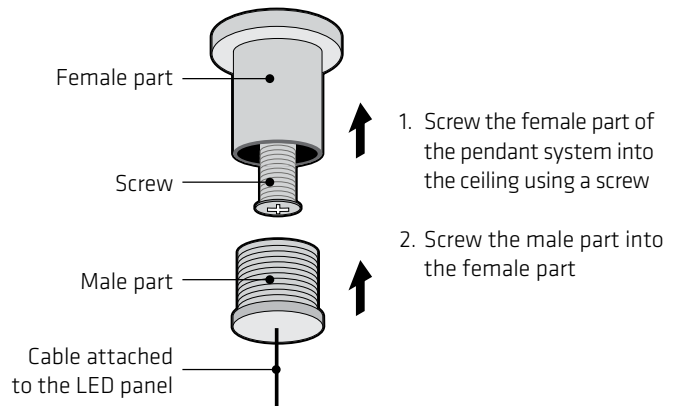
Slide the LED panel into the frame



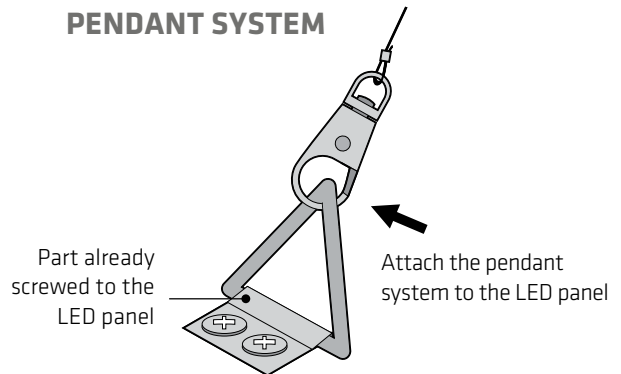
PENDANT INSTALLATION

CLPBL-SUSP

1. ATTACH THE PENDANT SYSTEM TO THE CEILING



2. ATTACH THE LED PANEL TO THE PENDANT SYSTEM



3. INSTALLATION IS COMPLETE

