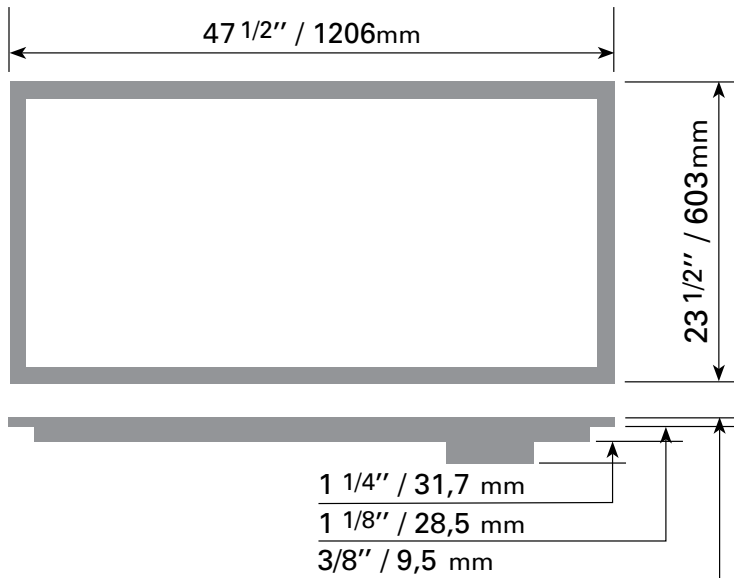


## CLPBL 2X4-50W / 30K

### TECHNICAL SPECIFICATIONS

- Sizes: 24" x 48"
- Color: WH-White
- 120 V - 277 V / 50 WATTS
- CRI: > 80
- 6134 LUMENS
- Degrees Kelvin: 3000K
- SDCM: < 7
- IC
- Approved for wet locations

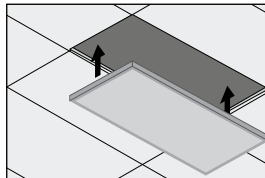
### SIZES / LED PANEL 2X4



### INSTALLATION

#### 1. RECESSED

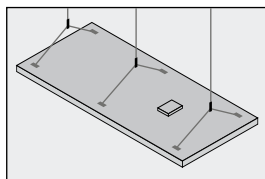
- Remove the suspended ceiling panel you wish to change
- Install the LED panel in the available space



#### 2. HANGING (optional)

##### # CLPBL-SUSP

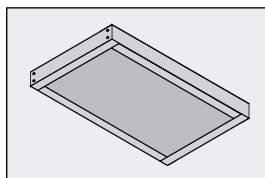
- 39" cable system for hanging the device



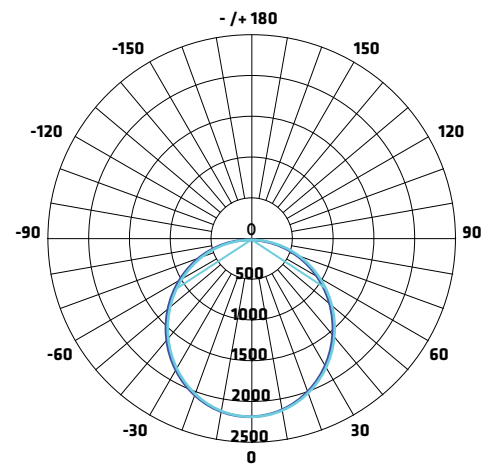
#### 3. CEILING MOUNTED (optional)

##### # CLPBL-FRAME 2X4

- Metal frame for turning the device into a ceiling light



### LUMINOUS INTENSITY DISTRIBUTION DIAGRAM



### FIGURE AAI

Flux out : 4578 1m

Hauteur	E moyen	E max	Diamètre
1 m	614.6	2135 Lx	307.70 cm
2 m	153.6	533.9 Lx	615.41 cm
3 m	68.29	237.3 Lx	923.11 cm
4 m	38.41	133.5 Lx	1230.82 cm
5 m	24.58	85.42 Lx	1538.52 cm
6 m	17.07	59.32 Lx	1846.22 cm
7 m	12.54	43.58 Lx	2153.93 cm
8 m	9.603	33.37 Lx	2461.63 cm
9 m	7.587	26.36 Lx	2769.34 cm
10 m	6.146	21.35 Lx	3077.04 cm

Note : Les courbes indiquent la zone éclairée et la moyenne d'éclairage lorsque le luminaire est à différentes distances.

Angle : 113.95 deg



4300 Grande-Allée Blvd, Boisbriand  
QC, Canada J7H 1M9

450 979-0667

info@lumifaro.com  
www.lumifaro.com

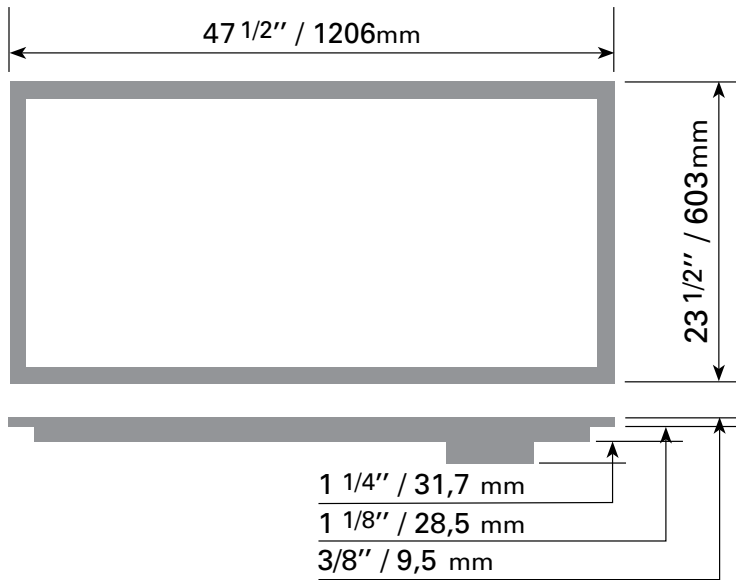
CLIENT:
PROJECT:
DATE:

# CLPBL 2X4-50W / 40K

## TECHNICAL SPECIFICATIONS

- Sizes: 24" x 48"
- Color: WH-White
- 120 V - 277 V / 50 WATTS
- CRI: > 80
- 6371 LUMENS
- Degrees Kelvin: 4000K
- SDCM: < 7
- IC
- Approved for wet locations

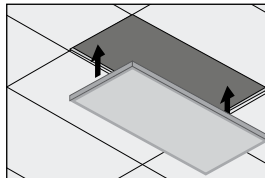
## SIZES / LED PANEL 2X4



## INSTALLATION

### 1. RECESSED

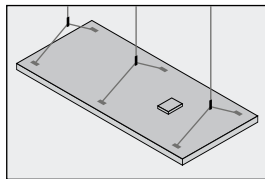
- Remove the suspended ceiling panel you wish to change
- Install the LED panel in the available space



### 2. HANGING (optional)

#### # CLPBL-SUSP

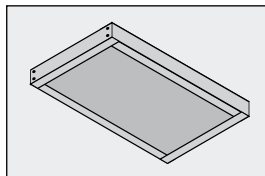
- 39" cable system for hanging the device



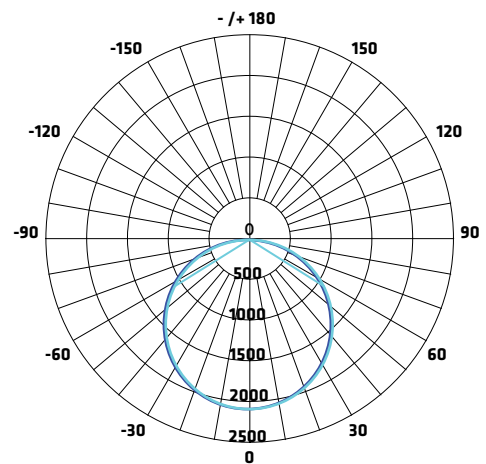
### 3. CEILING MOUNTED (optional)

#### # CLPBL-FRAME 2X4

- Metal frame for turning the device into a ceiling light



## LUMINOUS INTENSITY DISTRIBUTION DIAGRAM



ANGLE MOYEN DU FAISCEAU (50%) : 114.3°

Unité : CD — C0/180,114.4° — C22.5/202.5,114.5°

— C45/225,114.4° — C90/270,113.9°

## FIGURE AAI

Flux out : 4509 1m

Hauteur	E moyen	E max	Diamètre
1 m	605.3	2104 Lx	307.70 cm
2 m	151.3	525.9 Lx	615.41 cm
3 m	67.26	233.7 Lx	923.11 cm
4 m	37.83	131.5 Lx	1230.82 cm
5 m	24.21	84.15 Lx	1538.52 cm
6 m	16.81	58.44 Lx	1846.22 cm
7 m	12.35	42.93 Lx	2153.93 cm
8 m	9.458	32.87 Lx	2461.63 cm
9 m	7.473	25.97 Lx	2769.34 cm
10 m	6.053	21.04 Lx	3077.04 cm

Note : Les courbes indiquent la zone éclairée et la moyenne d'éclairage lorsque le luminaire est à différentes distances.

Angle : 113.95 deg



4300 Grande-Allée Blvd, Boisbriand  
QC, Canada J7H 1M9

450 979-0667

info@lumifaro.com  
www.lumifaro.com

CLIENT:

PROJECT:

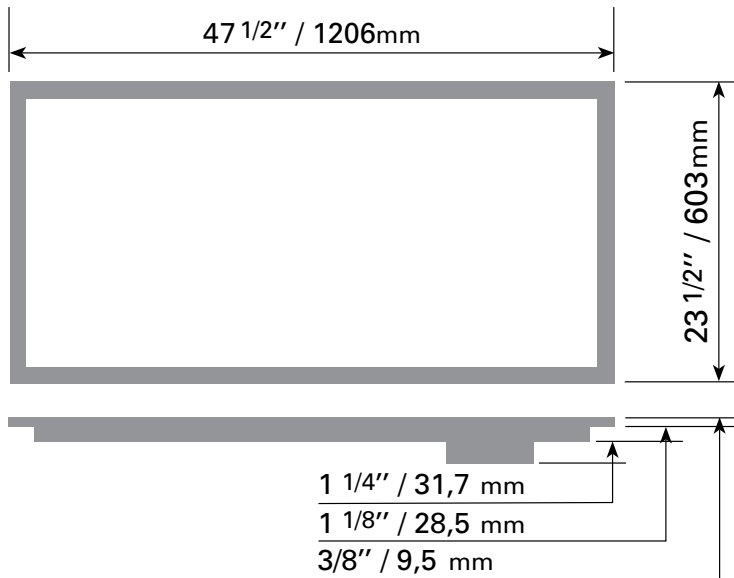
DATE:

## CLPBL 2X4-50W / 50K

### TECHNICAL SPECIFICATIONS

- Sizes: 24" x 48"
- Color: WH-White
- 120 V - 277 V / 50 WATTS
- CRI: > 80
- 6163 LUMENS
- Degrees Kelvin: 5000K
- SDCM: < 7
- IC
- Approved for wet locations

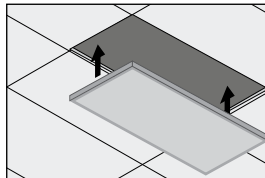
### SIZES / LED PANEL 2X4



### INSTALLATION

#### 1. RECESSED

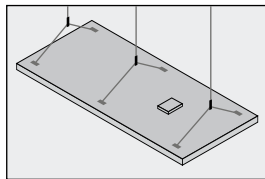
- Remove the suspended ceiling panel you wish to change
- Install the LED panel in the available space



#### 2. HANGING (optional)

##### # CLPBL-SUSP

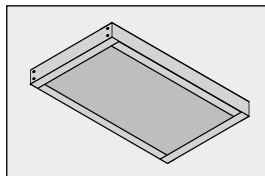
- 39" cable system for hanging the device



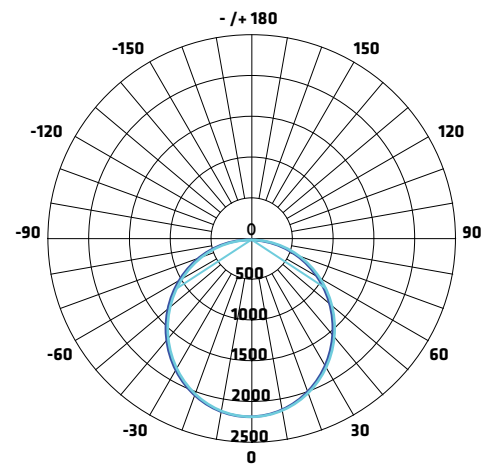
#### 3. CEILING MOUNTED (optional)

##### # CLPBL-FRAME 2X4

- Metal frame for turning the device into a ceiling light



### LUMINOUS INTENSITY DISTRIBUTION DIAGRAM



### FIGURE AAI

Flux out : 4621 1m

Hauteur	E moyen	E max	Diamètre
1 m	620.4	2156 Lx	307.53 cm
2 m	155.1	539.0 Lx	615.06 cm
3 m	68.93	239.6 Lx	922.58 cm
4 m	38.77	134.8 Lx	1230.11 cm
5 m	24.82	86.24 Lx	1537.64 cm
6 m	17.23	59.89 Lx	1845.17 cm
7 m	12.66	44.00 Lx	2152.69 cm
8 m	9.694	33.69 Lx	2460.22 cm
9 m	7.659	26.62 Lx	2767.75 cm
10 m	6.204	21.56 Lx	3075.28 cm

Note : Les courbes indiquent la zone éclairée et la moyenne d'éclairage lorsque le luminaire est à différentes distances.

Angle : 113.92 deg

CLIENT:
PROJECT:
DATE:

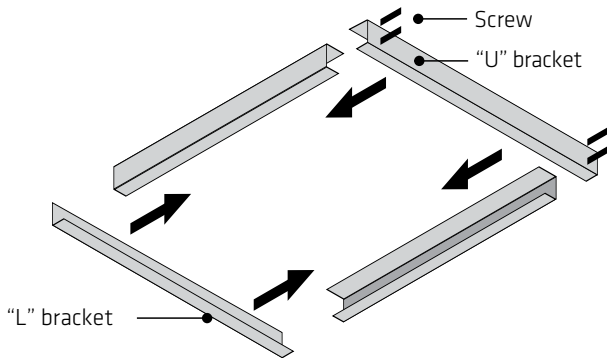
# INSTALLATION OPTIONS

## SURFACE INSTALLATION

### # CLPBL-FRAME

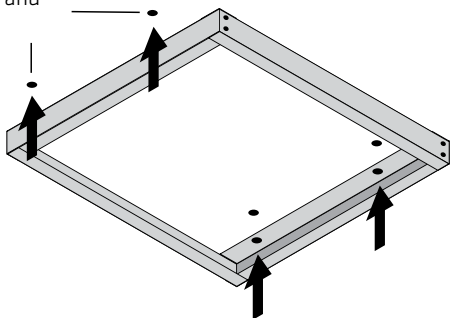
- CLPBL-1X4: 12" X 48" X 2 3/4"
- CLPBL-2X2: 24" X 24" X 2 3/4"
- CLPBL-2X4: 24" X 48" X 2 3/4"

#### 1. ASSEMBLE THE FRAME



#### 2. ATTACH THE FRAME TO THE CEILING

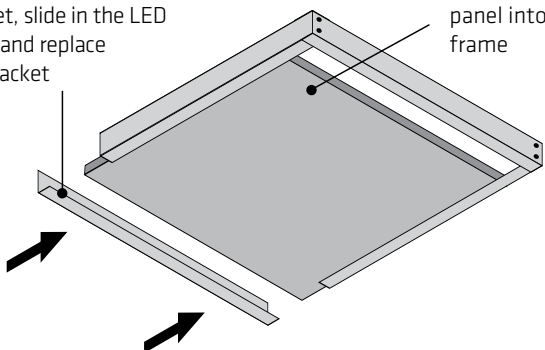
Drill 6 mm holes in the ceiling and screw in



#### 3. INSTALL THE LED PANEL

Remove the "L" bracket, slide in the LED panel and replace the bracket

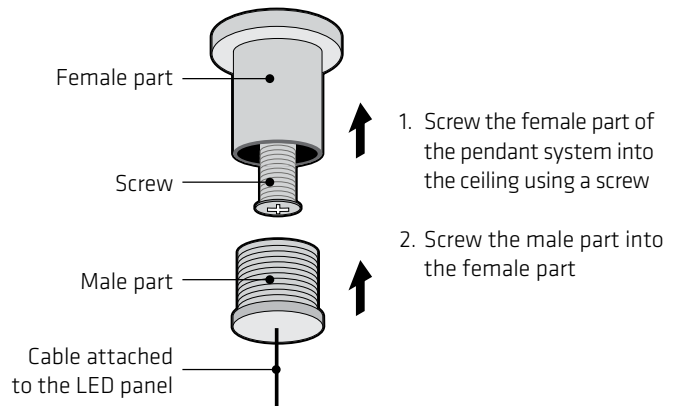
Slide the LED panel into the frame



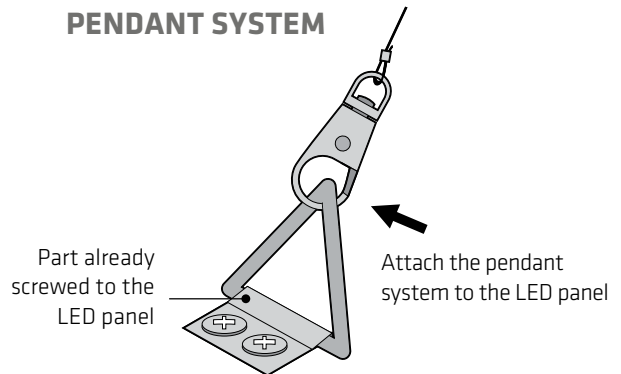
## PENDANT INSTALLATION

### # CLPBL-SUSP

#### 1. ATTACH THE PENDANT SYSTEM TO THE CEILING



#### 2. ATTACH THE LED PANEL TO THE PENDANT SYSTEM



#### 3. INSTALLATION IS COMPLETE

