

PR-400-IC

4" HOUSINGS

LED-10W

For insulated or non insulated ceilings

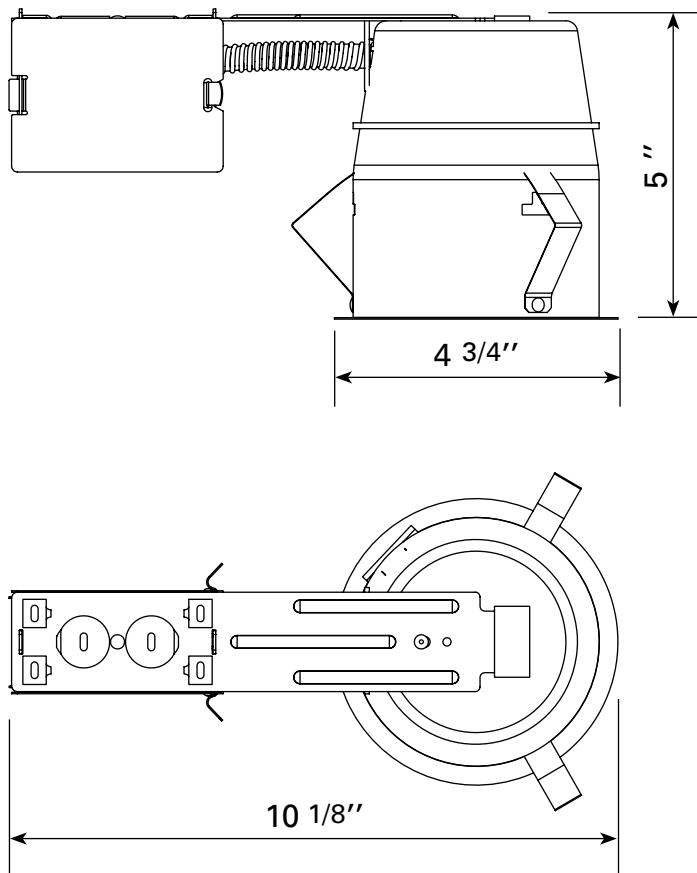
50W-PAR-20 HALOGEN

For non insulated ceilings only

TECHNICAL SPECIFICATIONS

- Takes LED-10W or 50W-PAR-20 halogen bulbs
- Cutout diameter: 4 3/8"
- PF-414 plaster frame available
- Air-tight if adhesive tape is used to seal openings

SIZES / HOUSING



| |
|----------|
| CLIENT: |
| PROJECT: |
| DATE: |