

MaxLite® Linkable Linear LED Light Engine Retrofit Kit



General Safety Information

- To reduce the risk of death, personal injury or property damage from fire, electric shock, falling parts, cuts/abrasions, and other hazards read all warnings and instructions included with and on the fixture box and all fixture labels.
- Before installing, servicing, or performing routine maintenance upon this equipment, follow these general precautions.
- Commercial installation, service and maintenance of luminaires should be performed by a qualified licensed electrician.
- **DO NOT INSTALL DAMAGED PRODUCT!**



Picture is for illustration purposes only. Your model may vary.

WARNING - Risk of fire or electric shock. LED Retrofit Kit installation requires knowledge of luminaires electrical systems. If not qualified, do not attempt installation. Contact a qualified electrician.

WARNING - Risk of fire or electric shock. Install this kit only in luminaires that have the construction features and dimensions shown in the photographs and/or drawings and where the input rating of the retrofit kit does not exceed the input rating of the luminaire.

Do not leave any other open holes in an enclosure of wiring or electrical components.

WARNING - To prevent wiring damage or abrasion, do not expose wiring to edges of sheet metal or other sharp objects.

THIS RETROFIT KIT IS ACCEPTED AS A COMPONENT OF A LUMINAIRE WHERE THE SUITABILITY OF THE COMBINATION SHALL BE DETERMINED BY AUTHORITIES HAVING JURISDICTION.

WARNING: RISK OF ELECTRICALSHOCK

- Turn off electrical power at fuse or circuit breaker box before wiring fixture to the power supply.
- Turn off the power when you perform any maintenance.
- Verify that supply voltage is correct by comparing it with the luminaire label information.
- Make all electrical and grounded connections in accordance with the National Electrical Code and any applicable local code requirements.
- All wiring connections should be capped with UL approved wire connectors.

CAUTION: RISK OF INJURY

- Wear gloves and safety glasses at all times when removing luminaire from carton, installing, servicing or performing maintenance.
- Avoid direct eye exposure to the light source while it is on.
- Account for small parts and destroy packing material, as these may be hazardous to children.

CAUTION: RISK OF FIRE

- Keep combustible and other materials that can burn away from luminaire and lamp/lens.
- **MIN 90°C SUPPLY CONDUCTORS.**
- Disconnect power and allow fixture to cool before handling fixture.

Model Number	SPECIFIC TARGET LUMINAIRE
10LELK5.5Bxxx	Ceiling mounted luminaires, min. 7.75" L x 4" W x 2.5" H
18LELK11.5Bxxx	Ceiling mounted luminaires, min. 13.75" L x 4" W x 2.5" H

Parts included for assembly:

- (1) LED Light Engine w/power leads and ground wire
- (4) Self-tapping Screws
- (3) Wire connectors

MaxLite® Linkable Linear LED Light Engine Retrofit Kit



Installation & Operation

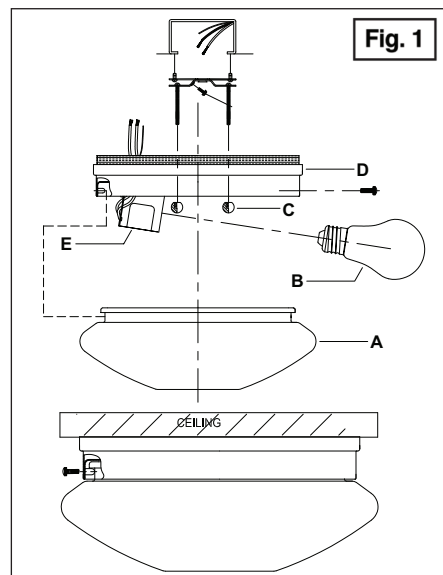
⚠ WARNING

Disconnect the power by turning off the circuit breaker or by removing the appropriate fuse at the fuse box. Turning the power off using the light switch is not sufficient to prevent electrical shock.

Ceiling Fixture (this kit is designed to be used with steel luminaires)

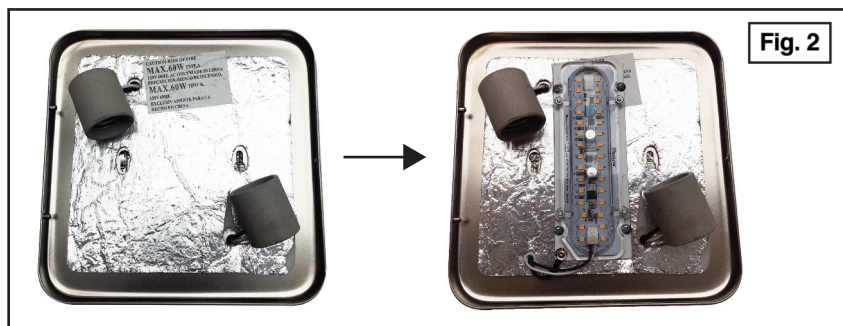
Removing un-needed parts:

1. Read and understand all warnings and notes stated before proceeding with retrofit.
2. Check your retrofit kit against parts list.
3. Shut off the power at the circuit breaker.
4. Remove diffuser (A) and the lamps (B). Loosen the nuts (C) to remove the ceiling pan (D) and gain access to the junction box. Disconnect lead wires, retain all other parts including the crossbar. (Fig. 1)
5. If you choose to remove the lamp holder(s) (E), make sure that all open holes are covered.
6. Carefully unpack your new retrofit kit and lay out all the parts on a clear area. Take care not to lose any small parts necessary for the installation.

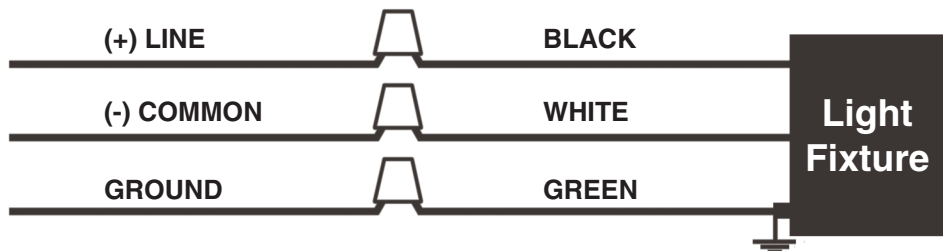


Installation Steps:

6. Position LED engine on the pan and attach it to the fixture with supplied self-tapping screws. (Fig. 2)
7. Drill a 5/16" hole about 1" away from the LED engine. Use push-in grommet (not supplied).
8. Route LED retrofit kit wires (1 white, 1 black, 1 green) through the grommet. Confirm wires will not be pinched. Exposed lead wires should be only 4" or less in length.



9. Connect the wire harness leads to mains wiring inside the junction box using (3) wire nuts/connectors (WAGO).
 - a. Green wire to ground wire (bare or green)
 - b. Black or blue wire to line conductor (black)
 - c. White wire to neutral conductor (white)



10. Re-attach pan to the ceiling and secure the lens to luminaire.

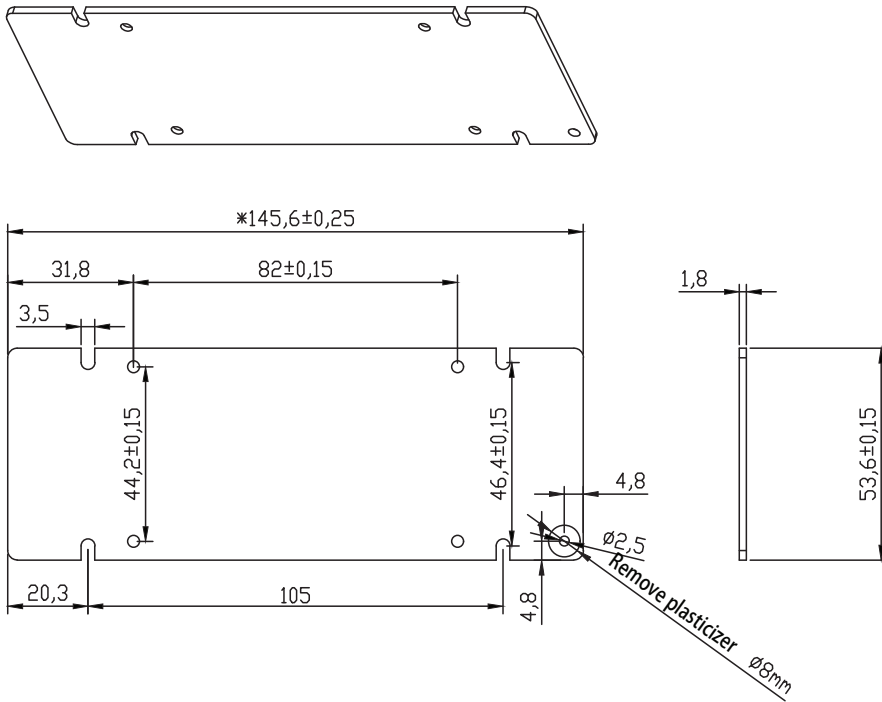
MaxLite® Linkable Linear LED Light Engine Retrofit Kit



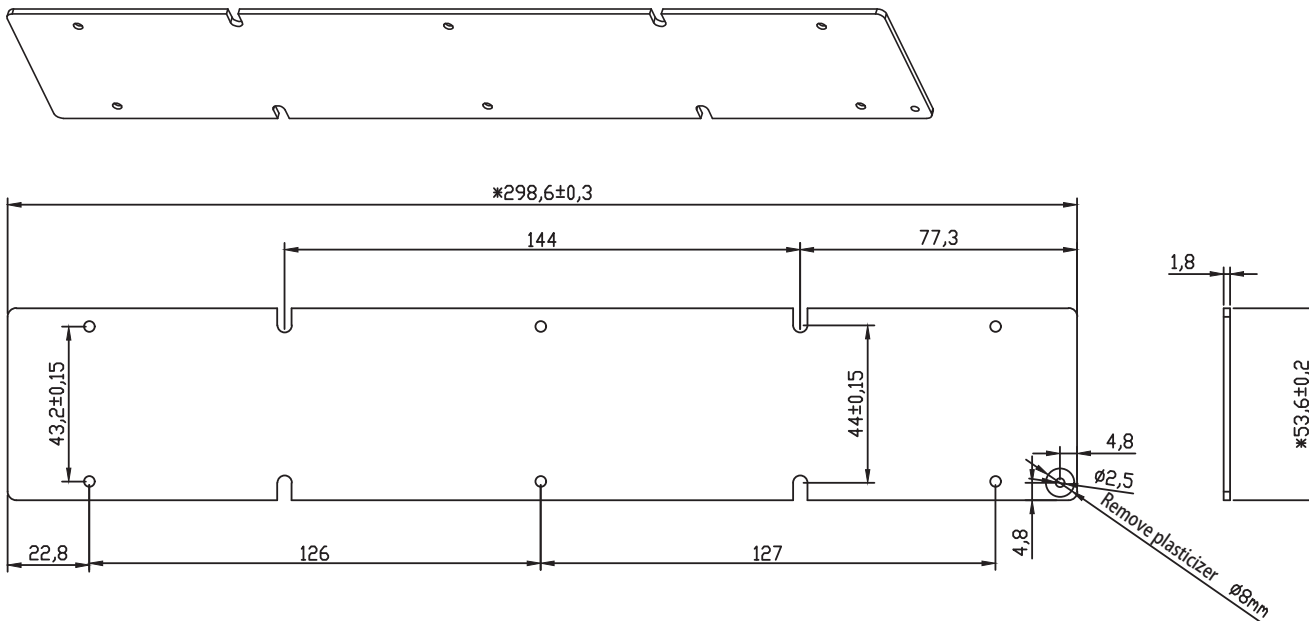
Drawings

* Dimensions are shown in mm

10LELK5.5BXXX:



18LELK11.5BXXX:



MaxLite® Linkable Linear LED Light Engine Retrofit Kit



Warranty Information

MaxLite Inc. warrants its products for a minimum period of **FIVE (5)** years from the date of original purchase from MaxLite or its authorized distributor/dealer (the "Warranty Period"), as follows: If a Product fails to operate during the Warranty Period as a result of defects in materials or workmanship, MaxLite will, at its option, repair it, replace it with the same or like Product.

Please refer to Maxlite's website (at <http://maxlite.com/resources/warranties>) for the complete terms and conditions of our warranty.

Limitation of Liability

THE FOREGOING WARRANTY IS EXCLUSIVE, AND IS THE SOLE REMEDY FOR ANY AND ALL CLAIMS, WHETHER IN CONTRACT, IN TORT OR OTHERWISE ARISING FROM THE FAILURE OF PRODUCT AND IS IN LIEU OF ALL OTHER WARRANTIES, EXPRESS OR IMPLIED, INCLUDING ALL WARRANTIES OF MERCHANTABILITY OR FITNESS FOR A PARTICULAR PURPOSE, WHICH WARRANTIES ARE HEREBY EXPRESSLY DISCLAIMED TO THE EXTENT PERMITTED BY LAW AND, IN ANY EVENT, SHALL BE LIMITED TO THE WARRANTY PERIOD SPECIFIED ABOVE. THE LIABILITY OF MAXLITE SHALL BE LIMITED TO THE TERMS OF THE EXPRESS WARRANTY SET FORTH HEREIN. IN NO EVENT WILL MAXLITE BE LIABLE FOR ANY SPECIAL, INCIDENTAL OR CONSEQUENTIAL DAMAGES INCLUDING, WITHOUT LIMITATION, DAMAGES RESULTING FROM LOSS OF USE, PROFITS, BUSINESS OR GOODWILL, LABOR COSTS, REMOVAL OR INSTALLATION COSTS, DECREASE IN THE LIGHT OUTPUT OF THE LAMP, AND/OR DETERIORATION IN THE LAMP'S PERFORMANCE, WHETHER OR NOT MAXLITE HAS BEEN ADVISED OF THE POSSIBILITY THEREOF. UNDER NO CIRCUMSTANCES SHALL MAXLITE'S ENTIRE LIABILITY FOR A DEFECTIVE PRODUCT EXCEED THE PURCHASE PRICE OF THAT PRODUCT. WARRANTY SERVICES PROVIDED UNDER THESE TERMS AND CONDITIONS DO NOT ENSURE THE UNINTERRUPTED OPERATION OF PRODUCTS; MAXLITE SHALL NOT BE LIABLE FOR DAMAGES CAUSED BY ANY DELAYS INVOLVING WARRANTY SERVICE.

This Limited Warranty gives you specific legal rights and you may also have other rights that may vary from state to state. Because some states or jurisdictions do not allow the exclusion or limitation of liability for consequential or incidental damages, this limitation may not apply to you.