

Adjustable Wall Mount Luminaire - Optional EM Installation:



BEFORE YOU BEGIN

Read these instructions completely and carefully.



⚠ WARNING

Risk of fire or electric shock. Luminaire wiring and electrical parts may be damaged when drilling for installation of led retrofit kit, check for enclosed wiring and components.

To prevent wiring damage or abrasion, do not expose wiring to edges of sheet metal or other sharp objects.

General Safety Information

- To reduce the risk of death, personal injury or property damage from fire, electric shock, falling parts, cuts/abrasions, and other hazards read all warnings and instructions included with and on the fixture box and all fixture labels.
- Before installing, servicing, or performing routine maintenance upon this equipment, follow these general precautions.
- Commercial installation, service and maintenance of luminaires should be performed by a qualified licensed electrician.
- DO NOT INSTALL DAMAGED PRODUCT!
- This fixture is intended to be connected to a properly installed and grounded UL listed junction box.

WARNING:

RISK OF ELECTRICAL SHOCK

- Turn off electrical power at fuse or circuit breaker box before wiring fixture to the power supply.
- Turn off the power when you perform any maintenance.
- Verify that supply voltage is correct by comparing it with the luminaire label information.
- Make all electrical and grounded connections in accordance with the National Electrical Code and any applicable local code requirements.
- All wiring connections should be capped with UL approved wire connectors.

CAUTION:

RISK OF INJURY

- Unit will fall if not installed properly. Follow installation instructions.
- Wear gloves and safety glasses at all times when removing luminaire from carton, installing, servicing or performing maintenance.
- Avoid direct eye exposure to the light source while it is on.
- Account for small parts and destroy packing material, as these may be hazardous to children.

CAUTION:

RISK OF FIRE

- Keep combustable and other materials that can burn away from luminaire and lamp/lens
- MIN 90°C SUPPLY CONDUCTORS.

Input Rating: 120V-277V 50/60Hz

Operating Temperature: -40°F to 104°F

Illustrations in the manual are for installation purposes only. It may not be identical to the fixture purchased.

Models:

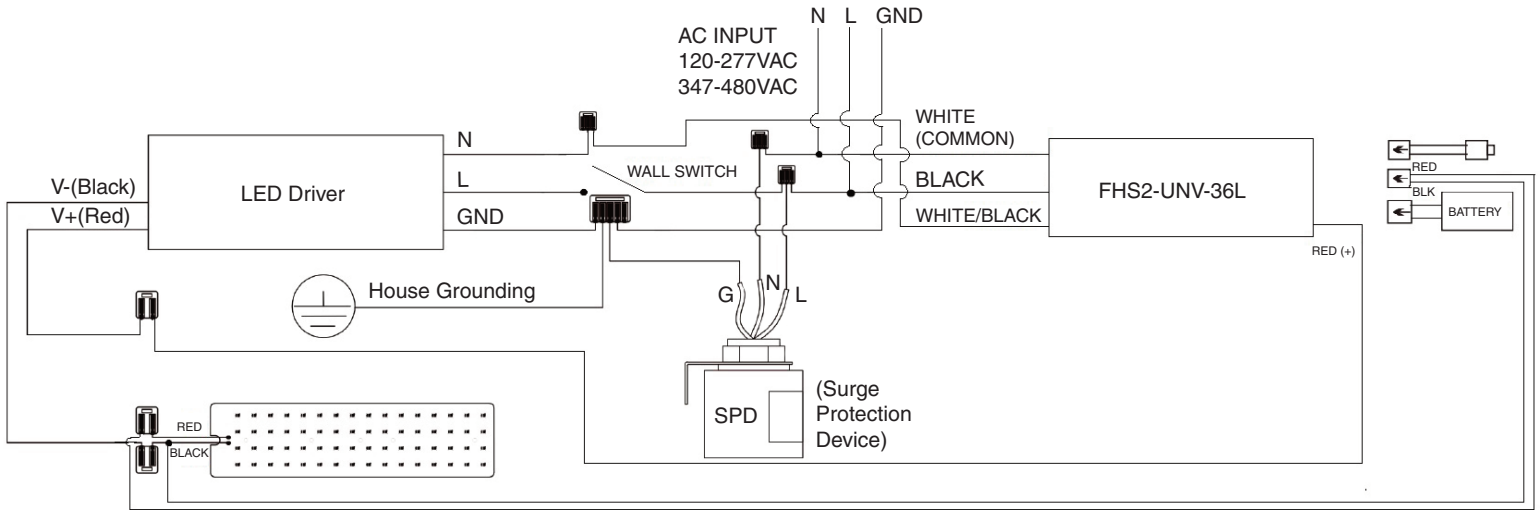
This instruction manual applies to the MP-SM Series

Ver: 9/17/18

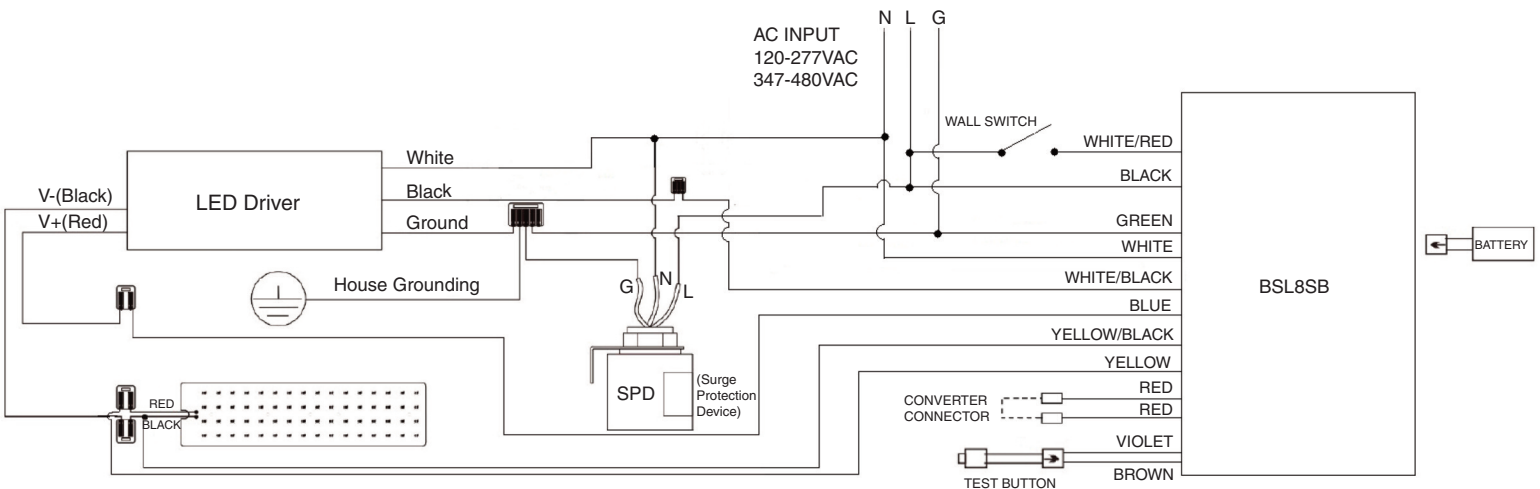
Adjustable Wall Mount Luminaire - Optional EM Installation:

CAUTION: Turn off electrical power at fuse or circuit breaker box before wiring fixture to the power supply.

1.) Wiring diagram for standard product with surge protector and FHS2-UNV-36L EM



2.) Wiring diagram for standard product with surge protector and BSL8SB EM



Adjustable Wall Mount Luminaire - Optional EM Installation:

1. Use a flat head screwdriver to unscrew the cap from the back of the EM extension box (**Figure 1**).
2. Remove the twelve (12) M4 hex head screws and set aside for later use. Separate the fixture and EM extension cover from the EM extension box (**Figure 2**).
3. Drill mounting holes in the EM extension box. Follow the template shown in Figure 8 of the standard installation instructions. Drill through the raised hole locations that correspond to the mounting points on the intended junction box.
4. Fasten the EM extension box to the junction box in the wall with screws.
5. Hook the fixture and EM extension cover onto the EM extension box. Allow the fixture to hang by the brackets to facilitate the wiring process (**Figure 3**).
6. Pull the input wires through the hole in the EM extension box and complete the wiring connections following the wiring diagram.
7. Replace the EM extension cover onto the extension box. Ensure that the gasket in-between the cover and box fits in place. Secure the cover to the box using the twelve (12) M4 screws previously removed in step 1 (**Figure 4**).

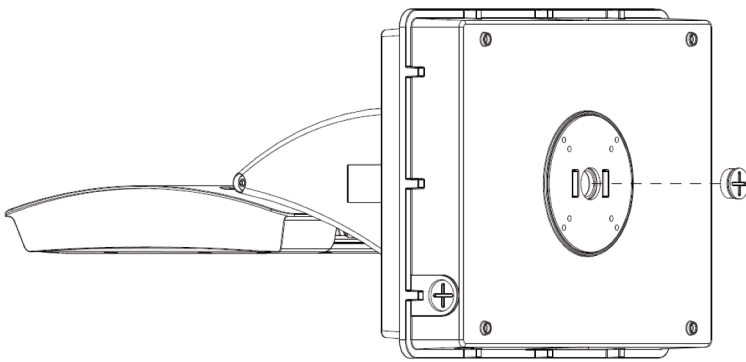


Fig. 1

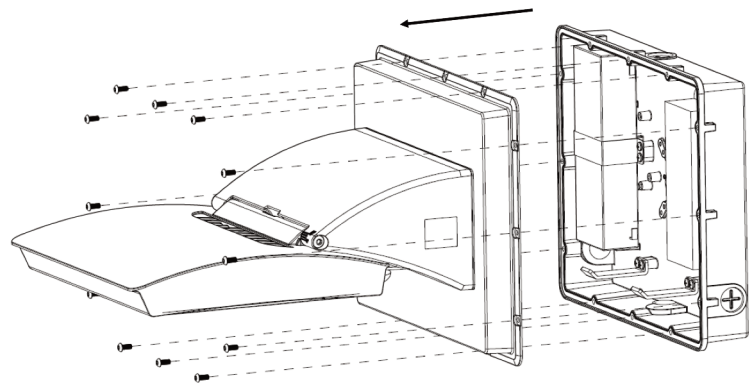


Fig. 2

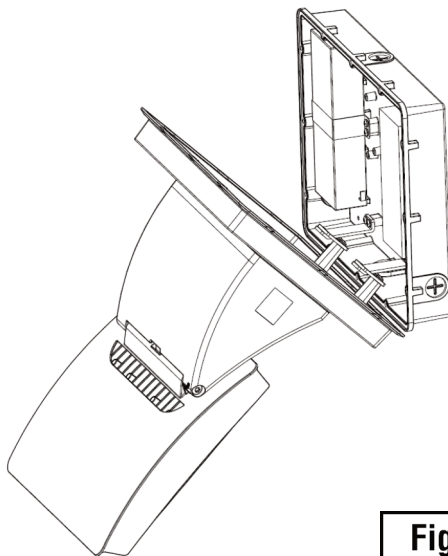


Fig. 3

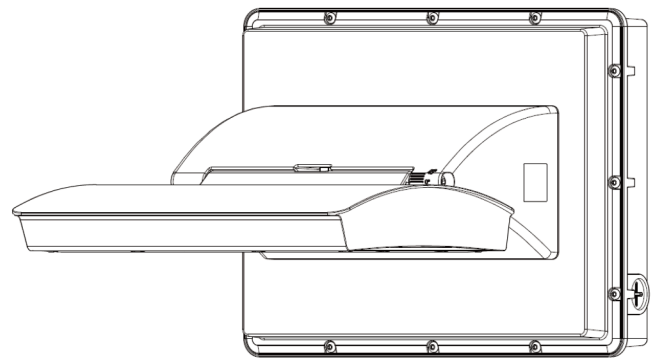


Fig. 4