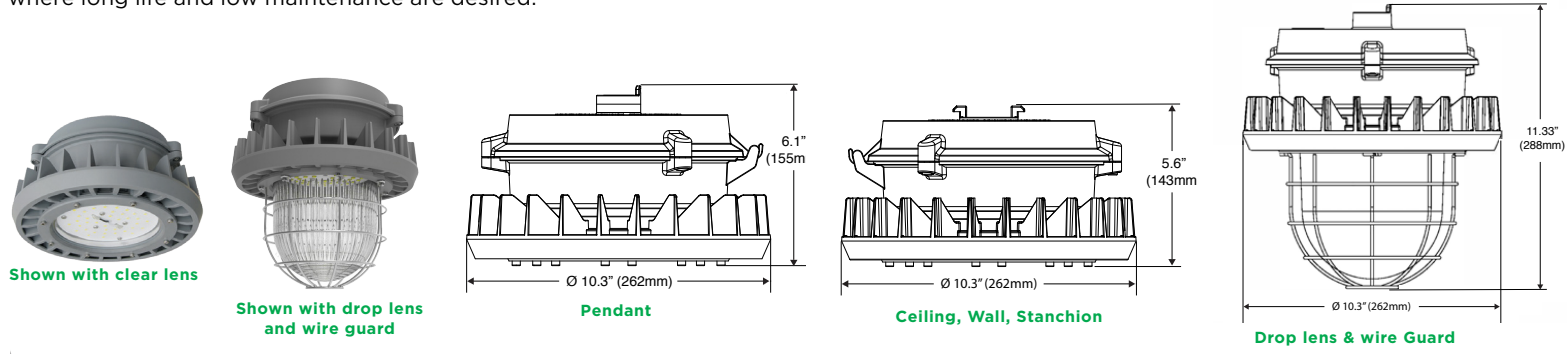


PROJECT: _____ CATALOG # _____ NOTES: _____ FIXTURE SCHEDULE: _____

HIGH & LOWBAY | JELLY JARS

HLRS SERIES - CID2

The **HLR SERIES** hazardous location family of fixtures is suitable for use in a wide range of indoor and outdoor Class I Division 2 applications. This versatility family of fixtures can be used for ceiling, pendant, wall and surface applications. The compact and low weight luminaires are safe and easy to use in harsh and hazardous locations where flammable or explosive vapors or gases are present. They are an ideal solution where long life and low maintenance are desired.



FEATURES:

- 3000K, 4000K, 5000K
- Customizable offering with clear, diffused and drop lens option

LISTINGS:

- Class I, Division 2, Groups A, B, C, D
- Class II, Division 1, Groups E, F, G
- Class II, Division 2, Groups F, G
- Class III, Division 1
- UL1598A Marine
- UL 8750 LED Safety
- CSA, C22.2 No. 250.0-08, 250.13
- DLC Standard
- 1000 hours Spray Testing
- 5G Vibration rating per ANSI C136.31-201
- IK08
- FCC

MOUNTINGS:

- Pendant/Yoke Mount
- Ceiling/Wall/Stanchion Mount

VOLTAGE:

- 120-277V and 347-480V options available

CONSTRUCTION:

- Light weight and compact design
- Die cast aluminum body and impact resistant tempered glass
- Stainless steel exposed fasteners
- High temperature silicone gasketing

APPLICATION:

- Power Plants / Heavy Industrials
- Storage Facility / Paper Mills
- Wastewater Treatment Plants
- Loading Docks / Platforms / Shipyards
- Chemical Processing Facility
- Petrochemical Processing Facility

WARRANTY:

5-year standard warranty* (further details available at www.maxlite.com/warranties)

*Product may be eligible for a warranty extension to 10 years, for an additional fee. Contact MaxLite for details.

MODEL SELECTION					
HLRS					
FAMILY	NOMINAL WATTAGE	VOLTAGE	LENS	CCT	MOUNTING OPTIONS
HLRS= Small Size Round, CID2	45= 45W 65= 65W	U= 120-277V H= 347-480V ¹	[Blank]= Clear, 110° D= Diffused L= Low Bay Drop Lens, 130°	[Blank]= 5000K 40= 4000K ¹ 30= 3000K ¹	P= Pendant, 3/4" NPT- Yoke Mount, U-bracket X= Ceiling, Wall & Stanchion Mount Options

¹ Consult factory for lead times.

ORDERING:

MODEL NUMBER	DLC PRODUCT ID
HLRS45U[P,X]	PLBDN4JOOYCB
HLRS65U[P,X]	PLCVXQH5E68Q

PROJECT: _____ CATALOG # _____ NOTES: _____ FIXTURE SCHEDULE: _____

HIGH & LOWBAY | JELLY JARS

HLRS SERIES - CID2

SPECIFICATIONS:

		HLRS45U	HLRS65U	HLRS45UL	HLRS65UL
ITEM	SPECIFICATION	DETAILS			
GENERAL PERFORMANCE	Input Power (W)	42W	65W	42W	65W
	Lumens Delivered (lm)	6,750 lm	9,750 lm	5,760 lm	8,960 lm
	Equivalency	100W MH	175W MH	100W MH	175W MH
	Efficacy (lm/W)	150			
	CRI	≥70			
	Lumen Maintenance (L70, TM-21 @ 25°C)	50,000 Hours @ L70			
	Color Temperature	3000K, 4000K, 5000K			
	Spacing Criteria	Available Upon Request			
ELECTRICAL	Power Factor	0.95			
	Input Voltage	120-277V, 347-480V			
PHYSICAL	Housing	Die cast aluminum with powder coat paint			
	Lens Material	Tempered Glass			
	IP Rating	IP66			
	IK Rating	IK08			
QUALIFICATIONS	Ambient Operating Temperature	-40°C+55°C			
	Ambient Operating Humidity	5%-95% RH			
	Temperature Code	T4A (CID2) / T5 (C2D1, C2D2)			
WARRANTY	Warranty	5-year standard warranty*			

ACCESSORIES TABLE:

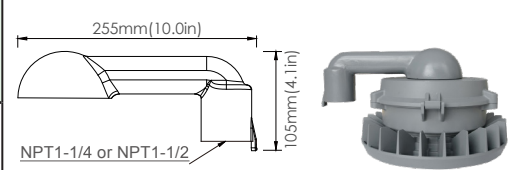
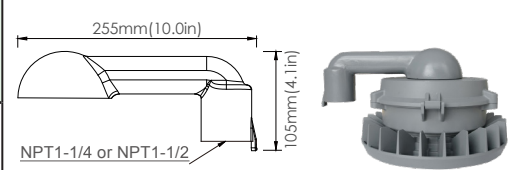
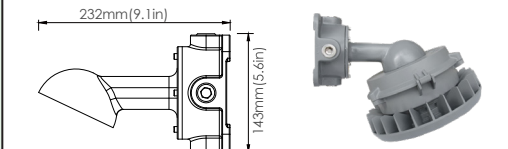
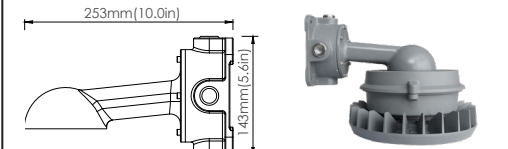
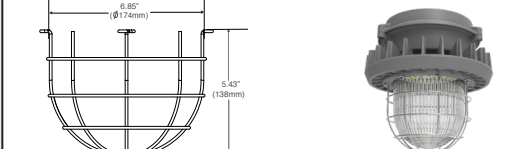
MODEL	DESCRIPTION	PRODUCT IMAGE
HLCMG	Ceiling Mount Bracket (junction box with 3/4" NPT entries)	
HLS22G	Stanchion 25° (1-1/2 NPT) Mount Bracket	
HLS24G	Stanchion 25° (1-1/4 NPT) Mount Bracket	

PROJECT: _____ CATALOG # _____ NOTES: _____ FIXTURE SCHEDULE: _____

HIGH & LOWBAY | JELLY JARS

HLRS SERIES - CID2

ACCESSORIES TABLE:

MODEL	DESCRIPTION	PRODUCT IMAGE
HLS92G	Stanchion 90° (1-1/2 NPT) Mount Bracket	
HLS94G	Stanchion 90° (1-1/4 NPT) Mount Bracket	
HLW25G	Wall Mount 25° Bracket	
HLW90G	Wall Mount 90° Bracket	
HLRSWG	Wire Guard for Drop Lens, Small Size	
HLRSYB	Yoke Bracket, Small Size	