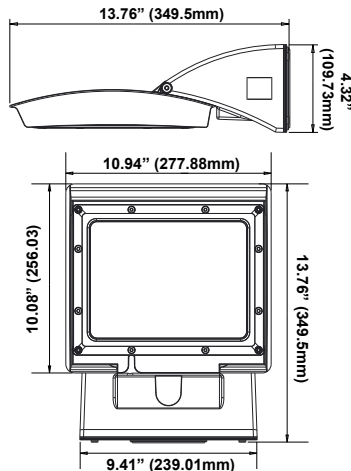


## ADJUSTABLE WALL MOUNT LUMINAIRE

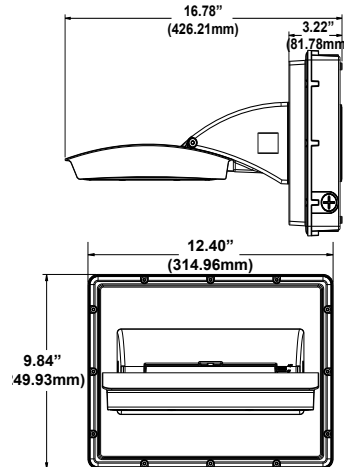
Thoughtfully designed for downlighting, the **MPulse Wall Mount** features an adjustable head that enables its use as an open face or cutoff fixture. It takes just one person to install and service the MPulse Wall Mount luminaire. The back plate mounts to the surface and allows for the wall mount to hang for easy wiring. A hinged back cover provides access to the driver for quick and easy replacement in the field.



**Standard Side & Front View**



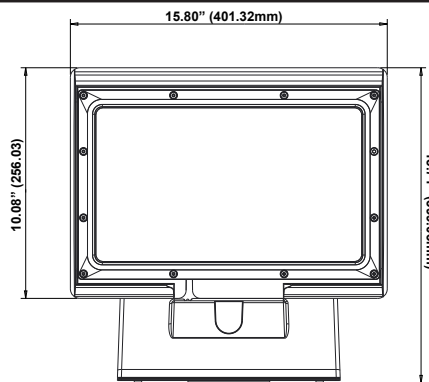
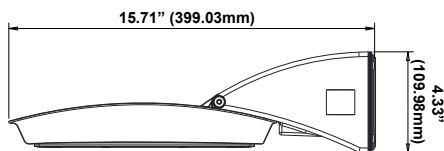
**Battery Backup Side & Front View**



without Visual Comfort (Battery Backup Model)

Visual Comfort (VC)

### 28W & 55W



### 100W

### 100-300W



For additional 100-300W fixtures, please reference the [MPulse Area Light](#) with knuckle surface mount.

#### PERFORMANCE:

- Trade Agreements Act (TAA) compliant
- Available in lumen packages of 3000, 6000, and 11500 lumen
- LEDs have a calculated lumen maintenance value of > 93% (L93) at 100,000 hours calculated at 25°C
- 120-277V dimming standard. 347-480V options available

#### DESIGN:

- 0-45 degree field adjustable head in steps (15°, 30°, 45°)

#### OPTICS:

- Available in Type III and Type IV optics
- Visual comfort available in 28W and 55W

#### OPTIONS:

- 120-277V External Button Photocell
- High/Low/Off PIR fixture integrated photo/motion sensor compatible with FSIR-100 remote control
- Battery backup available for 28W and 55W

#### FINISHES:

- Satin bronze finish standard
- Also available in silver finish

#### CONSTRUCTION:

- Die Cast Aluminum housing
- Tempered Glass

#### MOUNTING:

- Designed to mount to standard 3.5" or 4" J-box
- Uniquely designed for ease of installation by one person

#### ENVIRONMENT:

- Wet location listed per UL standards
- IP66 rating

#### PHOTOMETRICS:

All IES files available online.  
 Please see page 3 for some Iso-footcandle layouts

#### WARRANTY:

10-year standard warranty with labor allowance\* (further details available at [www.maxlite.com/warranties](http://www.maxlite.com/warranties))

\*Warranty Limitations: Product must be rated for the application per the Product Data Sheet (PDS); operated ≤16 hrs/day; in ambient of -29°F to 104°F.  
 \*Up to \$25/unit; labor allowances of up to \$500/unit available for purchase - contact MaxLite representative for details.



# ADJUSTABLE WALL MOUNT LUMINAIRE

## CONTROLS:

**120-277VAC Photocontrol:** Universal voltage photocontrols turn fixture on and off based on footcandle levels to help conserve energy during daylight hours. The operating temperature of the photocontrol is -30°F-120°F. Photocell mounted external.

**Photo/Motion Sensor:** The Wattstopper FSP-211 uses passive infrared (PIR) sensing technology to react to changes in infrared energy (i.e. moving body heat) within the coverage area. This slim, low-profile sensor is designed for installation inside the bottom of a light fixture body and is ideal for outdoor environments. The sensor operates at 120V/230V-240V and single phase 277V. The motion sensor is fully adjustable with high and low dimmed light level options with optional dusk to dawn control. Sensor can be combined with various lenses to operate at mounting heights from 8' to 40'. Factory settings can be adjusted via the FSIR-100, a wireless configuration tool.

**Note that the sensor comes with photocell setting disabled and the FSIR-100 must be purchased if photocell capability is desired.**

MODEL SELECTION Typical order example: MP-SM100UT3-50B									
MP	-	SM							
FAMILY	-	SUB-FAMILY	WATTAGE	VOLTAGE	DISTRIBUTION	-	CCT	FINISH	OPTIONS
MP= MPulse	-	SM= Wall Mount	<b>28=</b> 28W, 175W MH equivalent <b>55=</b> 55W, 250W MH equivalent <b>100=</b> 100W, 400W MH equivalent  For additional 100-300W fixtures, please reference the <a href="#">MPulse Area Light</a> with knuckle surface mount.	<b>U=</b> 120-277V  <b>H=</b> 347-480V	<b>T3=</b> Type III  <b>T4=</b> Type IV  <b>†T5- VC8=</b> Type V Visual Comfort	-	<b>30=</b> 3000K  <b>40=</b> 4000K  <b>50=</b> 5000K	<b>B=</b> Bronze  <b>S=</b> Silver   Contact MaxLite for additional finishes	<b>(BLANK)=</b> None  <b>MS=</b> Photo/Motion Sensor  <b>PC=</b> 120-277V Button Photocell  <b>*EM0=</b> Battery backup, 0°C  <b>*EM2=</b> Battery backup -20°C

**Notes:**

†\* Available in 28W and 55W Only

‡ High voltage (347-480V) models are not DLC listed. Not all product variations listed on this page are DLC qualified. Visit [www.designlights.org/search](http://www.designlights.org/search) to confirm qualification.

## SPECIFICATIONS:

Item	Specification	28 WATTS - DETAILS	55 WATTS - DETAILS	100 WATTS - DETAILS
General Performance	Input Power (W)	28	55	100
	Lumens Delivered @4000K (lm)	3,200 (2,500 VC)	6,200 (4,600 VC)	11,550
	Lumens Delivered @5000K (lm)	3,230	6,250	11,730
	Efficacy (lm/W)	116 (95 VC)	113 (88 VC)	121
	CRI	≥70		
	Calculated Lumen Maintenance (L93, TM-21 @ 25°C)	>100,000 hours		
	Color Temperature	Available in 3000K**, 4000K & 5000K		
Backlight - Uplight - Glare	B1 - U0 - G1		B2 - U0 - G2	
Electrical	Input Voltage	120-277V standard, 347-480V available		
	Power Factor	>90%		
	Surge Protection	10kV Surge		
	Battery Backup	0°C 16W, -20°C 8W, 850 Lumens, meets UL 924		N/A
Physical	Housing	Die-cast aluminum		
	Mounting	Fits 3.5" or 4" J-boxes or mounts directly		
	Weight	9 lbs.	13 lbs.	
Qualification	Qualifications	DLC Premium, cULus listed, DLC Standard***, FCC		
	Environment	Wet location rated, IP66		
	Warranty	10-year standard warranty*		
	Operating Temperature	-40°F - 122°F (-40°C - 50°C), (-20°C /0°C-40°C for Battery Backup units)		
	Humidity	10% - 90% RH, non condensing		

\*\*3000K not DLC qualified.

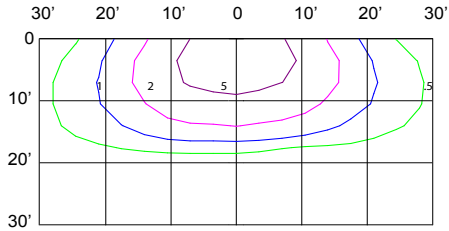
\*\*\* Visual Comfort models (28W, 55W)

**MaxLite Makes It!**  
 Don't see what you need? Additional wattages and specifications available upon request - contact your MaxLite rep!



## ADJUSTABLE WALL MOUNT LUMINAIRE

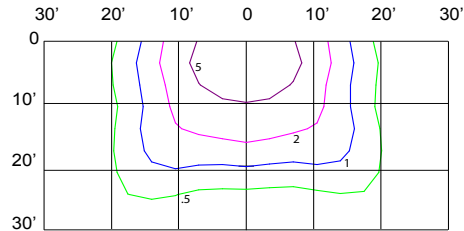
### 28W ISO-FOOTCANDLE LAYOUTS:



**28W, Type III**  
3,000 Lumens  
10' Mounting Height

Foot-candle Correction Factor:

New Height:	10'	15'	20'
Multiply by:	1	0.44	0.25

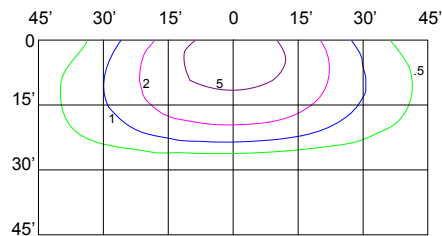


**28W, Type IV**  
3,000 Lumens  
10' Mounting Height

Foot-candle Correction Factor:

New Height:	10'	15'	20'
Multiply by:	1	0.44	0.25

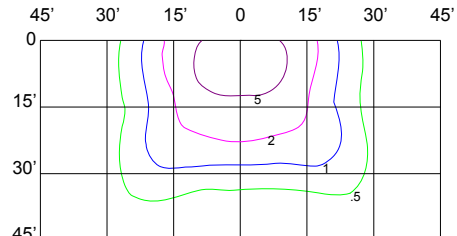
### 55W ISO-FOOTCANDLE LAYOUTS:



**55W, Type III**  
6,000 Lumens  
15' Mounting Height

Foot-candle Correction Factor:

New Height:	10'	15'	20'
Multiply by:	2.08	1	0.56

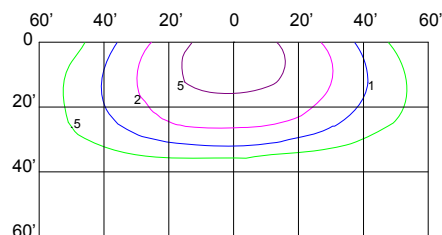


**55W, Type IV**  
6,000 Lumens  
15' Mounting Height

Foot-candle Correction Factor:

New Height:	10'	15'	20'
Multiply by:	2.08	1	0.56

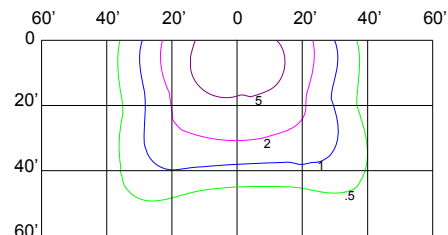
### 100W ISO-FOOTCANDLE LAYOUTS:



**100W, Type III**  
11,500 Lumens  
20' Mounting Height

Foot-candle Correction Factor:

New Height:	15'	20'	25'
Multiply by:	1.78	1	0.68

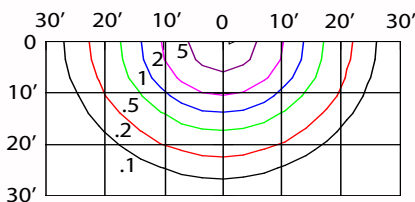


**100W, Type IV**  
11,500 Lumens  
20' Mounting Height

Foot-candle Correction Factor:

New Height:	15'	20'	25'
Multiply by:	1.8	1	0.63

### 28W VISUAL COMFORT ISO-FOOTCANDLE LAYOUT:

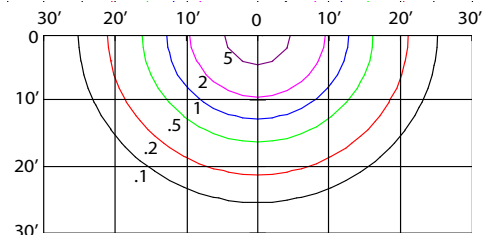


**28W, Type V - Visual Comfort**  
2467 Lumens  
10' Mounting Height

Foot-candle Correction Factor:

New Height:	10'	15'	20'
Multiply by:	1	1.5	2

### 55W VISUAL COMFORT ISO-FOOTCANDLE LAYOUT:



**55W, Type V - Visual Comfort**  
4627 Lumens  
15' Mounting Height

Foot-candle Correction Factor:

New Height:	10'	15'	20'
Multiply by:	0.67	1	1.33

Lighting layouts and spacing criteria available upon request.