

PROJECT NAME: _____
 NOTES: _____

 CAT. #: _____
 FIXTURE SCHEDULE: _____

Magnetic Retrofit Bar Kit



Product Description:

The Magnetic Retrofit Bar Kit (MRBK) installs into existing troffers without the need to enter the ceiling space, giving facility managers the quickest, most cost effective means of replacing outdated fluorescent lighting systems with the high efficiency and performance of LEDs.

With options to select from two sizes (2' and 4') and in combination with a Multi-Channel/ Multi-Output driver, this kit can be ordered in 1, 2, 3 or 4 bar combinations to replace almost all office lighting needs. With a easy to install magnetic back, MRBK typically takes less than 10 minutes to install.

Features:

- Kit includes Driver + Linear Bar + mounting hardware. No lamp socket needed
- Magnet on the back for easy installation
- UL 1598C Classified Retrofit Kits
- UL Class 2 Low Voltage System
- Long life 50,000 hours
- Universal Input 120/277V
- Dimming: 0-10V. Dimming Range: 20%-100%
- c-Max Compatible
- Aluminum backing for provides excellent thermal dissipation
- Multi Channel/Multi output driver for 3 Light levels in each kit
- Field installable Sensor and Emergency BBU available

Ordering Information

FAMILY		LENGTH	BAR QTY ²	LENS	CURRENT SETTING		CCT
MRBK= Magnetic Retrofit Bar Kit ¹	-	2= 2 ft. 4= 4 ft.	1L= 1 bar 2L= 2 bar 3L= 3 bars 4L= 4 bars	F= Frosted	L= Low Setting (250MA) M= Medium Setting (300MA) H= High Setting (360MA) ³	-	40= 4000K

¹Though ordered as a kit, all bars and drivers will be shipped bulk packed

²The driver included will be specific to the Qty of bars/kit

³H/High setting is not DLC qualified

Contact Maxlite for alternate options not listed on Order Structure.

Ordering

ORDER CODE	MODEL NUMBER
106959	MRBK-21LFH-40
106951	MRBK-21LFL-40
106955	MRBK-21LFM-40
106983	MRBK-22LFH-40
106975	MRBK-22LFL-40
106979	MRBK-22LFM-40
107007	MRBK-23LFH-40
106999	MRBK-23LFL-40
107003	MRBK-23LFM-40
107090	MRBK-24LFH-40
107040	MRBK-24LFL-40
107081	MRBK-24LFM-40

Accessories

ORDER CODE	MODEL NUMBER	DESCRIPTION	IMAGE
108566	EBUUP17015N200B	EMERGENCY INVERTER, 15W, 120-347VAC, CEC COMPLIANT, FIELD INSTALLABLE, 0-50C AMBIENT	
106457	MSBRI810-M-X-BI-W	LINE VOLTAGE MICROWAVE BI-LEVEL SENSOR 120/277VAC	
104799	RMRC-100	REMOTE CONTROL	
c-Max Basic			
105891	CN-MGMST	CONTROL NODE MAGNET, MICROWAVE MOTION SENSOR, TRANSLUCENT	
105567	CN-REMOTE	CONTROL NODE REMOTE CONTROL	
c-Max Network			
105895	NN-MGT	NETWORK NODE MAGNET, TRANSLUCENT	

All accessories are field installable only



5-year standard warranty (further details available at www.maxlite.com/warranties)

Product may be eligible for a warranty extension to 10 years, for an additional fee. Contact MaxLite for details.

Magnetic Retrofit Bar Kit

Sensor

SENSOR/NODE	TECHNOLOGY	DIMMING	DAYLIGHT HARVESTING	REMOTE CONTROL	QR CODE
MSBRI810-M-X-BI-W	Microwave	Bi-Level	N/A	Yes	
NN-MGT	Bluetooth Networking	N/A	N/A	c-Max App (iPhone or Android)	N/A
CN-MGMST	Microwave	Bi-Level	N/A	Yes	

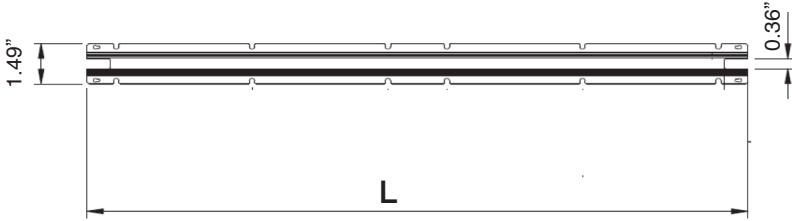
Specifications

	MRBK-21LFX-40			MRBK-41LFX-40		
	L	M	H*	L	M	H*
SIZE	2 FT			4 FT		
NOMINAL WATTAGE (W)	9	10	12	12	14	18
LUMENS DELIVERED	1125	1330	1575	1625	1921	2275
NOMINAL EFFICACY (lm/W)	130			130		
CRI	≥80					
COLOR TEMPERATURE	4000K					
L70 LUMEN MAINTENANCE	50,000 hrs					
POWER FACTOR	≥0.9					
INPUT VOLTAGE	120-277V					
DIMMING	0-10V. Dimming Range: 20%-100%					
COMPATIBLE DIMMERS	Designed to be compatible with most 0-10V dimmers					
CONSTRUCTION	Bar: Aluminum backing for heatsink with frosted lens					
OPERATING TEMPERATURE	-4°F - 104°F					
HUMIDITY	10-80% RH Non-Condensing					
CERTIFICATION	DLC Premium, cULus Classified, FCC, UL 1598C Classified Retrofit Kits, UL Class 2 Low Voltage System	cULus Classified, FCC, UL 1598C Classified Retrofit Kits, UL Class 2 Low Voltage System	DLC Premium, cULus Classified, FCC, UL 1598C Classified Retrofit Kits, UL Class 2 Low Voltage System	cULus Classified, FCC, UL 1598C Classified Retrofit Kits, UL Class 2 Low Voltage System		
MATERIAL USAGE	RoHS Compliant; No Mercury					
ENVIRONMENT	Suitable for dry locations					
WARRANTY	5 year warranty					

*H/High setting is not DLC qualified

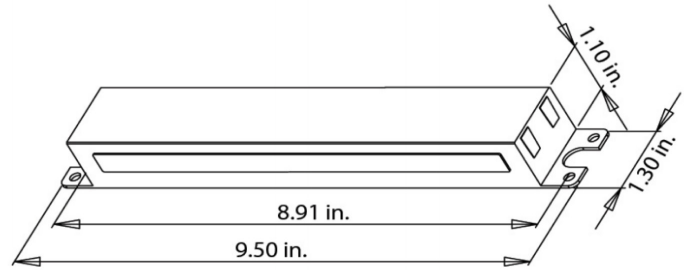
Magnetic Retrofit Bar Kit

Bar Dimensions



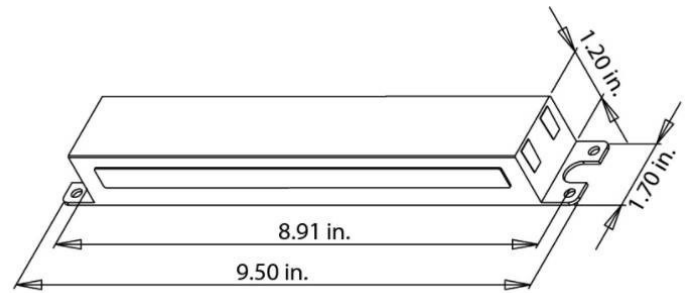
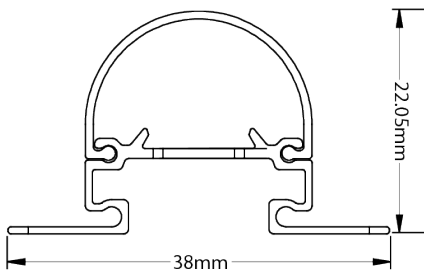
BAR LENGTH	L
2 ft	1.9 ft
4 ft	3.7 ft

Driver Dimensions



2 Channel Driver

Cross Section Dimensions



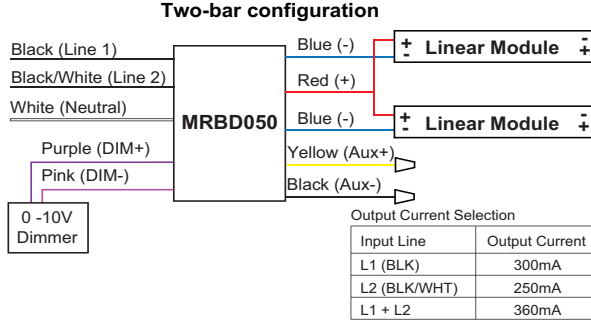
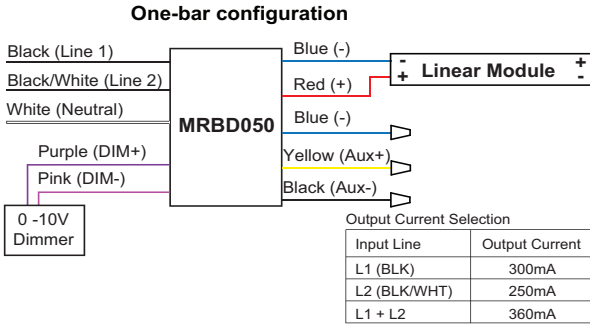
4 Channel Driver

Magnetic Retrofit Bar Kit

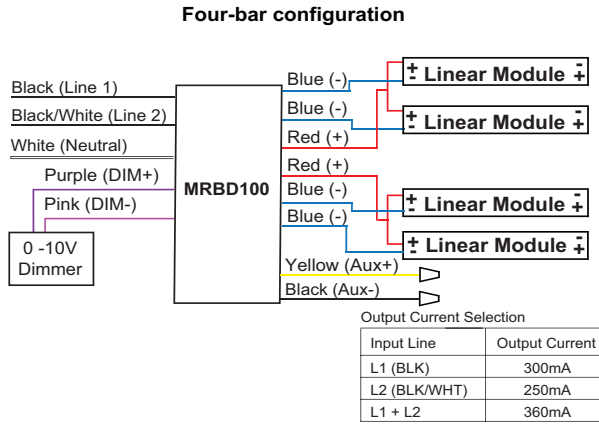
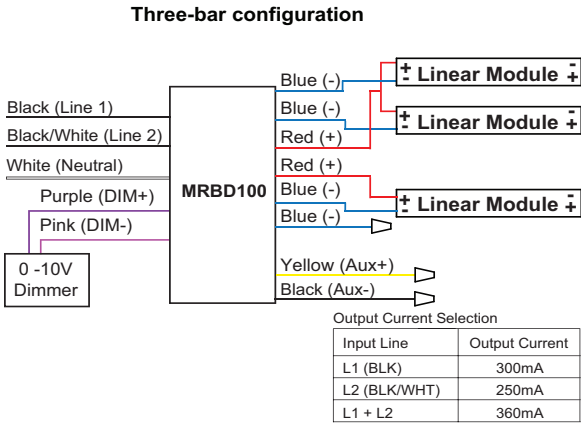
Wiring Instructions

CAUTION: Turn off electrical power at fuse or circuit breaker box before wiring fixture to the power supply.

1. For One bar and Two bar configurations:

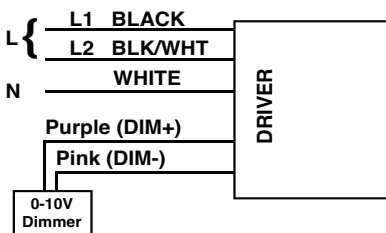


2. For Three bar and Four bar configurations:



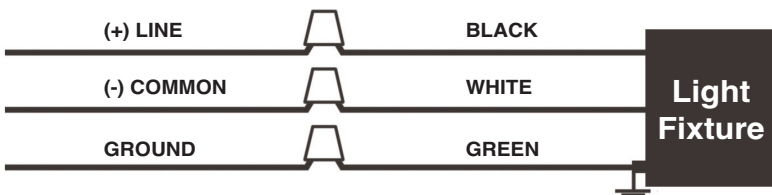
Wiring instructions for different settings

The Maxlite Magnetic Retrofit Bar Kit can be used at three different settings – Low, Medium and High. The Line wires are split into 2 namely L1 and L2. Please refer to the following table to adjust the settings based on the requirements:



Output Current Selection		
Input Line (L)	Driver setting	Output current
L2 (BLK/WHT)	Low	250mA
L1 (BLK)	Medium	300mA
L1 + L2	High	360mA

1. Connect the (+) Line supply wire to the L1 (BLK) or L2 (BLK/WHT) or both based on requirements.
2. Connect the (-) COMMON supply wire to the N (WHITE).
3. Connect the supply ground wire to the green wire on the fixture.



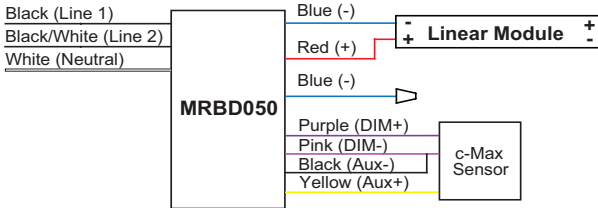
Magnetic Retrofit Bar Kit

Wiring Instructions with CN-MGMST or NN-MGT

CAUTION: Turn off electrical power at fuse or circuit breaker box before wiring fixture to the power supply.

1. For One bar and Two bar configurations:

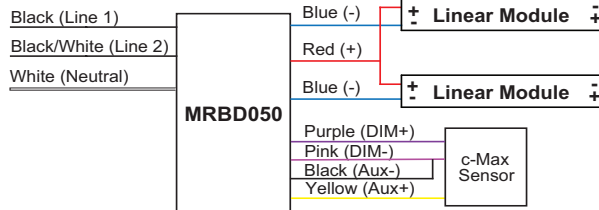
One-bar configuration



Output Current Selection

Input Line	Output Current
L1 (BLK)	300mA
L2 (BLK/WHT)	250mA
L1 + L2	360mA

Two-bar configuration

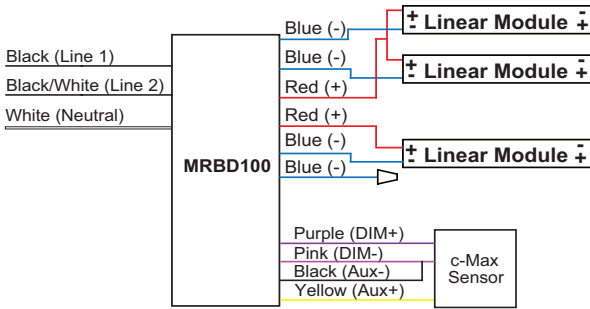


Output Current Selection

Input Line	Output Current
L1 (BLK)	300mA
L2 (BLK/WHT)	250mA
L1 + L2	360mA

2. For Three bar and Four bar configurations:

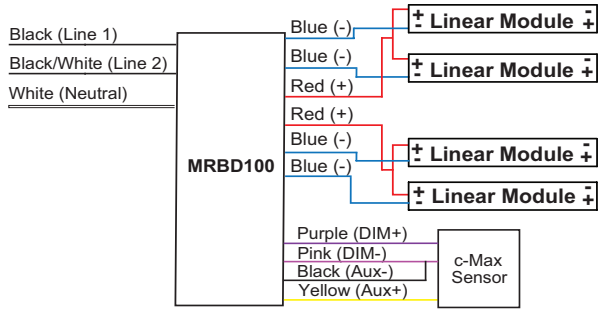
Three-bar configuration



Output Current Selection

Input Line	Output Current
L1 (BLK)	300mA
L2 (BLK/WHT)	250mA
L1 + L2	360mA

Four-bar configuration



Output Current Selection

Input Line	Output Current
L1 (BLK)	300mA
L2 (BLK/WHT)	250mA
L1 + L2	360mA