

Project
Schedule / Date
Notes
Catalog Number

Product Description

Our naturalLED® Round HighBay luminaire is uniquely designed for a wide variety of applications and mounting heights. Designed to maximize thermal performance with multiple lumens and color temperatures ideally fit for wide range of applications. Such as industrial, commercial, manufacturing, gymnasium, and other applications that utilize traditional HID and linear fluorescent high bays.

Our round high bay lighting system can deliver up to 70% energy savings with three easy installation methods. Our bracket design allows flexibility of installing by hook, pendant, or bracket.



Features & Benefits

- ▶ DLC Premium
- ▶ Damp Location
- ▶ Designed for operation in commercial warehouses
- ▶ Uniform and consistent color
- ▶ Lighter weight housing for easy installation
- ▶ Built in snap-lock hook
- ▶ Material: Aluminum Construction

Applications

- ▶ Retail Lighting
- ▶ Warehouse Lighting
- ▶ Gymnasium
- ▶ Industrial Facility

Specifications

- ▶ Input Voltage: 120-277
- ▶ Beam Angle: 90°
- ▶ 14-inch diameter
- ▶ 0-10V Dimmable
- ▶ 50,000 Hours rated average life
- ▶ Operating Temperature: -4°F - 122°F



Ordering Information

Code	Description	CCT	Watt	Lumen	Equiv Wattage	Beam Angle	Dim	Rated Hrs	Size	DAMP LOCATION	DLC QUALIFIED
7694	LED-FX16HBR75/90/840	4000K	75	10,028	250	90°	0-10V	50,000	14"	•	•
7695	LED-FX16HBR75/90/850	5000K	75	10,222	250	90°	0-10V	50,000	14"	•	•
7696	LED-FX16HBR100/90/840	4000K	100	14,461	400	90°	0-10V	50,000	14"	•	•
7697	LED-FX16HBR100/90/850	5000K	100	14,319	400	90°	0-10V	50,000	14"	•	•
7698	LED-FX16HBR162/90/840	4000K	162	21,080	400-575	90°	0-10V	50,000	14"	•	•
7699	LED-FX16HBR162/90/850	5000K	162	21,636	400-575	90°	0-10V	50,000	14"	•	•

Accessories (available for purchase)

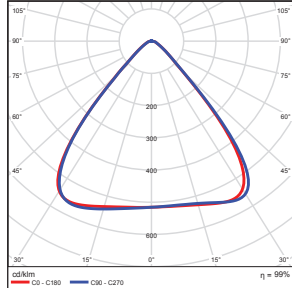
Diffuser

P10156 CVR-16HBR/LS/WH
(Skirt with Diffuser)



Photometric Data

75 Watt



Zonal Lumen Summary

Zone	Lumens	% Luminaire
0-30	4572.63	45.70
0-40	7627.33	76.20
0-60	9508.71	95.00
60-80	368.74	3.70
70-80	137.30	1.40
90-120	6.32	0.10
90-180	15.25	0.20
0-180	9950.36	99.40

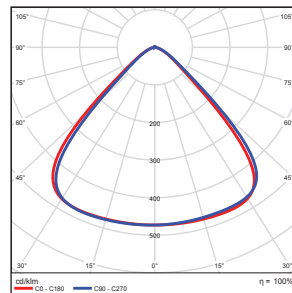
Total Luminaire Efficiency = 100.00%

Illuminance at a Distance

	Center Beam fc	Beam Width	
5.0ft	206 fc	7.8 ft	7.3 ft
10.0ft	51.6 fc	15.5 ft	14.7 ft
15.0ft	22.9 fc	23.3 ft	22.0 ft
20.0ft	12.9 fc	31.0 ft	29.4 ft
25.0ft	8.26 fc	38.8 ft	36.7 ft
30.0ft	5.73 fc	46.6 ft	44.1 ft

■ Vert. Spread: 75.6°
■ Horiz. Spread: 72.6°

100 Watt



Zonal Lumen Summary

Zone	Lumens	% Luminaire
0-30	5718.76	39.90
0-40	9757.00	68.10
0-60	13636.38	95.20
60-80	613.71	4.30
70-80	179.87	1.30
90-120	3.83	0.00
90-180	15.92	0.10
0-180	14316.61	100.00

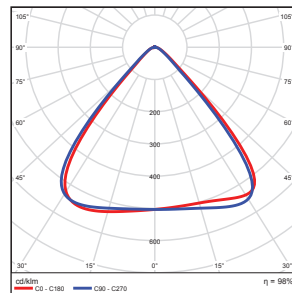
Total Luminaire Efficiency = 100.00%

Illuminance at a Distance

	Center Beam fc	Beam Width	
5.0ft	271 fc	10.0 ft	8.8 ft
10.0ft	67.7 fc	19.9 ft	17.7 ft
15.0ft	30.1 fc	29.9 ft	26.5 ft
20.0ft	16.9 fc	39.9 ft	35.3 ft
25.0ft	10.8 fc	49.8 ft	44.2 ft
30.0ft	7.52 fc	59.8 ft	53.0 ft

■ Vert. Spread: 89.8°
■ Horiz. Spread: 82.9°

162 Watt



Zonal Lumen Summary

Zone	Lumens	% Luminaire
0-30	9347.19	45.20
0-40	15843.21	76.70
0-60	19840.41	96.00
60-80	711.08	3.40
70-80	248.71	1.20
90-120	7.67	0.00
90-180	26.34	0.10
0-180	20660.04	100.00

Total Luminaire Efficiency = 100.00%

Illuminance at a Distance

	Center Beam fc	Beam Width	
5.0ft	424 fc	6.0 ft	9.1 ft
10.0ft	106 fc	12.1 ft	18.2 ft
15.0ft	47.1 fc	18.1 ft	27.3 ft
20.0ft	26.5 fc	24.1 ft	36.4 ft
25.0ft	17.0 fc	30.2 ft	45.5 ft
30.0ft	11.8 fc	36.2 ft	54.6 ft

■ Vert. Spread: 62.2°
■ Horiz. Spread: 84.7°

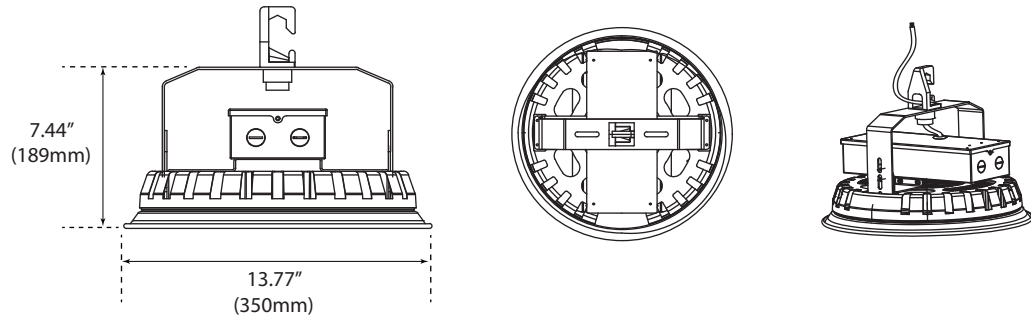
Product Dimensions

Weight

75W: 8.5-lbs

100W: 8.9-lbs

162W: 11.02-lbs



Package

