

Project _____
 Schedule _____ Date _____
 Notes _____

DESCRIPTION

naturaLED® 6X6 floodlights provide a range of sizes and wattages to fit your needs. Our floodlights has a flood beam distributions and replaces up to 575 watt. This product is water resistant rated at IP65.

Creating bright, security and spot lighting for a variety of applications such as perimeter, entryway, facades, landscapes, retail and residential complexes and architectural lighting. Pre-installed yoke-arm design can be adjustable to the angle that best suit your needs.

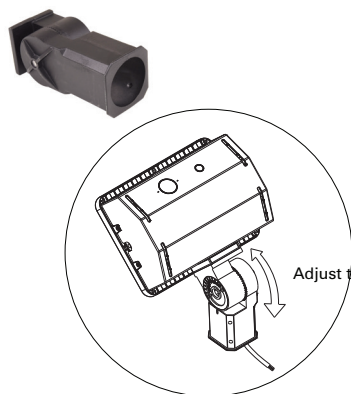


FEATURES

- DLC premium
- Uniform and consistent color
- ETL Rated
- IP65 rated
- Excellent thermal design
- Corrosion resistant powder coating
- Surge protect level:
 - 50W-75W: 4KV
 - 100W: 12KV
- Voltage Frequency: 50/60Hz
- Input Current: 0.8A / 0.3A
- Power Factor: 0.99
- Beam Angle: 100°-130°
- 3 /4" NPT stainless steel threaded nipple (50/75/100W)
- Input line voltage: 120-277V / 277-480V
- Material: Die Cast Aluminum / Plastic
- 6 feet SO Cord for easy installation
- Operating temperature: -40°F-140°F

ACCESSORIES

Slip Fitter



APPLICATIONS

- Security Lighting
- Architectural Lighting
- Perimeter Lighting
- Entryway
- Pathway

WARRANTY

- 5 Year Warranty

Ordering Information		EXAMPLE: LED-FXFDL50/66/40K/BK				
LED	FX	FDL	50	66	40K	BK
LED	Category FX Fixture	Series FDL Floodlight	Wattage 50 50W	Beam Angle 66 NEMA 6x6	Color Temp 40K 4000K	Color BK Black

ORDERING

*P= Premium DLC / *S = Standard DLC

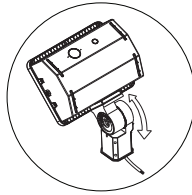
Watts (W)	Ordering Code	Description	Color Temp (K)	Lumens (lm)	Equiv. Wattage (W)	Dimmable	NPT	Rated Hrs	IP65 Rated	DLC (S/P)
50	7783	LED-FXFDL50/66/40K/BK	4000K	6,656	250-400	0-10V	3/4"	50,000	•	P
50	7784	LED-FXFDL50/66/50K/BK	5000K	6,750	250-400	0-10V	3/4"	50,000	•	P
75	7785	LED-FXFDL75/66/40K/BK	4000K	10,008	400	0-10V	3/4"	50,000	•	P
75	7786	LED-FXFDL75/66/50K/BK	5000K	10,125	400	0-10V	3/4"	50,000	•	P
100	7787	LED-FXFDL100/66/40K/BK	4000K	13,332	400-575	0-10V	3/4"	50,000	•	P
100	7788	LED-FXFDL100/66/50K/BK	5000K	13,596	400-575	0-10V	3/4"	50,000	•	P

MOUNTING / ACCESSORIES

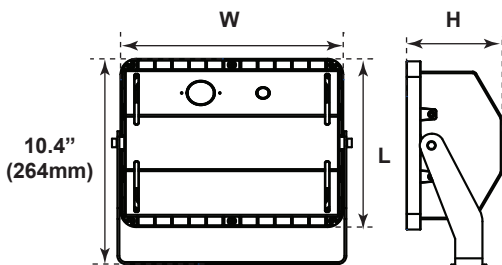
SOLD SEPARATELY

Slip Fitter Kit

- **K209226 MT-FDL/SF**
(P10209 MT-SAL/SF/BK + P10226 ADP-FDL/SF)



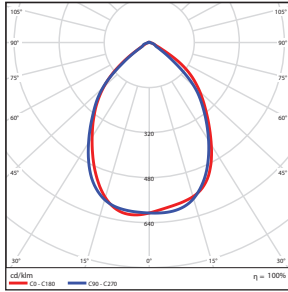
SPECIFICATIONS



Wattage	Length (L)	Width (W)	Height (H)	Weight
50W	8.5" (216mm)	11.26" (286mm)	4.84" (123mm)	6.8 lbs
75W	8.5" (216mm)	11.26" (286mm)	4.84" (123mm)	8.5 lbs
100W	8.5" (216mm)	11.26" (286mm)	4.84" (123mm)	8.7 lbs

PHOTOMETRICS CHART

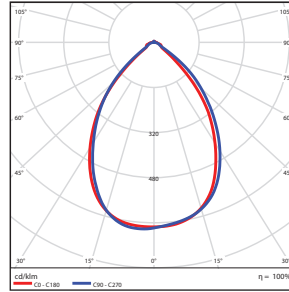
FXFDL (50 Watt)
DLC Premium



	Illuminance at a Distance	
	Center Beam fc	Beam Width
2.5R	706 fc	3.8 ft 3.9 ft
5.0R	176 fc	7.5 ft 7.8 ft
7.5R	78.4 fc	11.3 ft 11.7 ft
10.0R	44.1 fc	15.1 ft 15.6 ft
12.5R	28.2 fc	18.9 ft 19.6 ft
15.0R	19.6 fc	22.6 ft 23.5 ft

■ Vert. Spread: 74.1°
■ Horiz. Spread: 76.1°

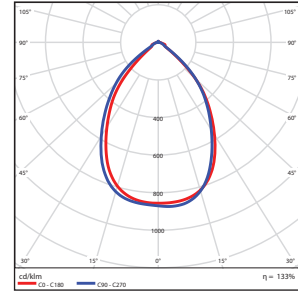
FXFDL (75 Watt)
DLC Premium



	Illuminance at a Distance	
	Center Beam fc	Beam Width
2.5R	1,401 fc	3.7 ft 3.9 ft
5.0R	350 fc	7.4 ft 7.8 ft
7.5R	156 fc	11.1 ft 11.7 ft
10.0R	87.6 fc	14.9 ft 15.6 ft
12.5R	56.1 fc	18.6 ft 19.5 ft
15.0R	38.9 fc	22.3 ft 23.4 ft

■ Vert. Spread: 73.2°
■ Horiz. Spread: 75.6°

FXFDL (100 Watt)
DLC Premium



	Illuminance at a Distance	
	Center Beam fc	Beam Width
2.5R	1,293 fc	4.1 ft 4.0 ft
5.0R	323 fc	8.3 ft 8.1 ft
7.5R	144 fc	12.4 ft 12.1 ft
10.0R	80.8 fc	16.5 ft 16.2 ft
12.5R	51.7 fc	20.6 ft 20.2 ft
15.0R	35.9 fc	24.8 ft 24.2 ft

■ Vert. Spread: 79.1°
■ Horiz. Spread: 77.9°

PACKAGE

Master: 1pc

