

Project _____
 Schedule _____ Date _____
 Notes _____

DESCRIPTION

naturalLED® floodlights provide a range of sizes and wattages to fit your needs. Our compact slim flood lights are water resistant rated at IP65. Creating bright, security and spot lighting for a variety of applications such as perimeter, entryway, facades, landscapes, retail and residential complexes and architectural lighting.



FEATURES

- DLC standard
- Uniform and consistent color
- IP65 rated
- Excellent thermal design
- 1/2" NPT stainless steel threaded nipple (10W-48W)
- Surge protect level: 10W-48W: 1KV
- Power Factor: >0.9
- Input Current: 0.1A
- Voltage Frequency: 50/60 Hz
- Beam Angle: Type 7
- Input line voltage: 120-277V
- Corrosion resistant powder coating
- Material: Die Cast Aluminum / Glass / Plastic
- Yoke Mount
- Operating temperature: -22°F-131°F
- 50,000 rated average hours

APPLICATIONS

- Security Lighting
- Architectural Lighting
- Perimeter Lighting
- Entryway
- Pathway

WARRANTY

- 5 Year Warranty

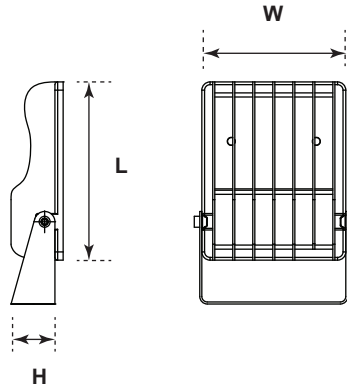
Ordering Information		EXAMPLE: LED-FXFDL10/30K/BK			
LED	FX	FDL	10	30K	BK
LED	Category FX Fixture	Series FDL Floodlight	Wattage 10 10W	Color Temp 30K 3000K	Color BK Black

ORDERING

*P= Premium DLC / *S = Standard DLC

Watts (W)	Ordering Code	Description	Color Temp (K)	Lumens (lm)	Equiv. Wattage (W)	Dimmable	NPT	Rated Hrs	IP65 Rated	DLC (S/P)
10	7789	LED-FXFDL10/30K/BK	3000K	1,200	100	-	1/2"	50,000	•	-
10	7761	LED-FXFDL10/50K/BK	5000K	1,284	100	-	1/2"	50,000	•	S
20	7762	LED-FXFDL20/50K/BK	5000K	2,437	150	-	1/2"	50,000	•	S
27	7763	LED-FXFDL27/50K/BK	5000K	3,499	150-200	-	1/2"	50,000	•	S
48	7764	LED-FXFDL48/50K/BK	5000K	6,153	200-250	-	3/4"	50,000	•	S

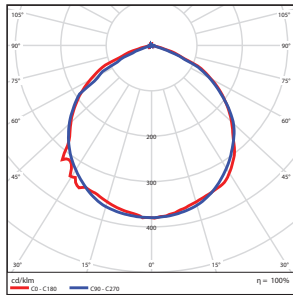
SPECIFICATIONS



Wattage	Length (L)	Width (W)	Height (H)	Weight
10W	6.38" (162mm)	4.56" (116mm)	1.5" (38mm)	1.10 bs
20/27W	7.27" (185mm)	5.28" (134mm)	1.5" (38mm)	1.60 lbs
48W	8.82" (224mm)	6.46" (164mm)	1.5" (38mm)	2.25 lbs

PHOTOMETRICS CHART

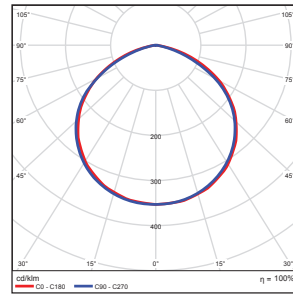
FXFDL (10 Watt)
DLC Standard



Center Beam Fc	Beam Width	
2.5R	74.2 fc	7.2 ft 7.2 ft
5.0R	18.5 fc	14.5 ft 14.3 ft
7.5R	8.24 fc	21.7 ft 21.5 ft
10.0R	4.64 fc	28.9 ft 28.7 ft
12.5R	2.97 fc	36.2 ft 35.8 ft
15.0R	2.05 fc	43.4 ft 43.0 ft

■ Vert. Spread: 110.7°
■ Horiz. Spread: 110.2°

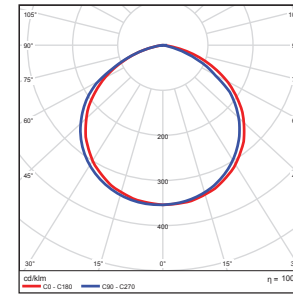
FXFDL (20 Watt)
DLC Standard



Center Beam Fc	Beam Width	
2.5R	138 fc	7.4 ft 7.5 ft
5.0R	34.5 fc	14.9 ft 15.1 ft
7.5R	15.3 fc	22.3 ft 22.6 ft
10.0R	8.61 fc	29.7 ft 30.1 ft
12.5R	5.51 fc	37.2 ft 37.7 ft
15.0R	3.83 fc	44.6 ft 45.2 ft

■ Vert. Spread: 112.2°
■ Horiz. Spread: 112.9°

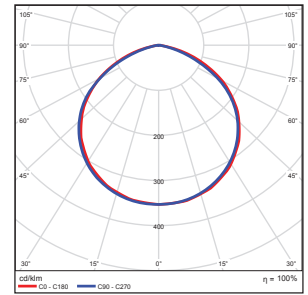
FXFDL (27 Watt)
DLC Standard



Center Beam Fc	Beam Width	
2.5R	203 fc	7.5 ft 7.5 ft
5.0R	50.9 fc	15.0 ft 15.0 ft
7.5R	22.6 fc	22.4 ft 22.4 ft
10.0R	12.7 fc	29.9 ft 29.9 ft
12.5R	8.14 fc	37.4 ft 37.4 ft
15.0R	5.65 fc	44.9 ft 44.9 ft

■ Vert. Spread: 112.5°
■ Horiz. Spread: 112.5°

FXFDL (48 Watt)
DLC Standard



Center Beam Fc	Beam Width	
2.5R	330 fc	8.1 ft 8.1 ft
5.0R	82.6 fc	16.2 ft 16.3 ft
7.5R	36.7 fc	24.4 ft 24.4 ft
10.0R	20.7 fc	32.5 ft 32.6 ft
12.5R	13.2 fc	40.6 ft 40.7 ft
15.0R	9.18 fc	48.7 ft 48.9 ft

■ Vert. Spread: 116.8°
■ Horiz. Spread: 116.9°

PACKAGE

Master: 10pcs
for 10W-48W

