

# Installation Instructions

## NOXAC-4SWTWW

### 4" AC Onyx Square LED Wall Wash Retrofit

**READ PRIOR TO ATTEMPTING INSTALLATION**  
**ALWAYS TURN OFF MAIN POWER BEFORE INSTALLATION**  
**INSTALLATION SHOULD BE CARRIED OUT BY YOUR LOCAL ELECTRICIAN**

**⚠ WARNING:** Risk of fire or electric shock. Installation of this retrofit assembly requires a person familiar with the construction and operation of the luminaire's electrical system and the hazard involved. If not qualified, do not attempt installation. Contact a qualified electrician.

**⚠ WARNING:** Risk of fire or electric shock. Install this kit only in the luminaires that has the construction features and dimensions shown in the photographs and/or drawings.

**⚠ WARNING:** To prevent wiring damage or abrasion, do not pinch or damage exposed wiring during installation. Keep away from the edges of sheet metal or other sharp objects.

**⚠ WARNING:** Risk of fire or electric shock. Do not alter, relocate, or remove wiring, lampholders, power supply, or any other electrical component.

**DO NOT MAKE OR ALTER ANY OPEN HOLES IN AN ENCLOSURE OF WIRING OR ELECTRICAL COMPONENTS DURING KIT INSTALLATION.**

**THIS RETROFIT KIT IS ACCEPTED AS A COMPONENT OF A LUMINAIRE WHERE THE SUITABILITY OF THE COMBINATION SHALL BE DETERMINED BY AUTHORITIES HAVING JURISDICTION.**

**EXAMINE ALL PARTS THAT ARE NOT INTENDED TO BE REPLACED BY THE RETROFIT KIT FOR DAMAGE AND REPLACE ANY DAMAGED PARTS PRIOR TO INSTALLATION OF THE RETROFIT KIT.**

**MIN. 90°C SUPPLY CONDUCTORS / LES FILS D'ALIMENTATION 90°C MIN.**

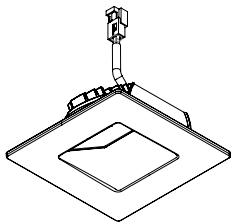
**⚠ AVERTISSEMENT:** Risque d'incendie ou de choc électrique. L'installation de cet ensemble de rénovation nécessite une personne familiarisée avec la construction et le fonctionnement du système électrique du luminaire et les risques encourus. S'il n'est pas qualifié, n'essayez pas d'installer. Contacter un électricien qualifié.

**⚠ AVERTISSEMENT:** Risque d'incendie ou de choc électrique. Installez ce kit uniquement dans les luminaires qui ont les caractéristiques de construction et les dimensions indiquées sur les photographies et / ou les dessins.

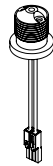
**⚠ AVERTISSEMENT:** Pour éviter d'endommager ou d'abrasion le câblage, ne pas pincer ou endommager le câblage pendant l'installation. Tenir à l'écart des bords de la tôle ou d'autres objets tranchants.

**⚠ AVERTISSEMENT:** Risque d'incendie ou de choc électrique. Ne modifiez pas, ne déplacez pas ou n'enlevez pas le câblage, les douilles de lampe, l'alimentation électrique ou tout autre composant électrique.

#### PACKAGING CONTENTS



LED Luminaire



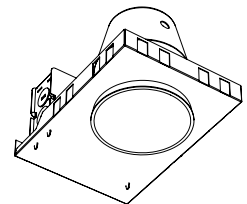
Medium Base Socket Adapter



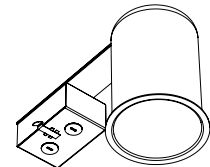
LED Lamp Replacement Marking Sticker

#### HOUSING DIMENSIONS

Min. Diameter	Min. Height	Max. number of 12AWG through branch wiring
4" (102mm) tapered to 3.3" (85mm) at top	3.5" (88mm)	6



New Construction



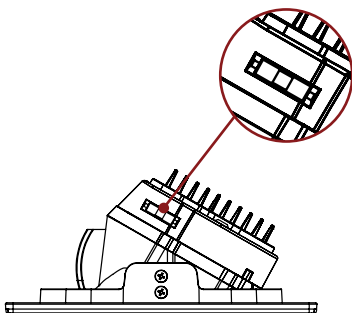
Remodel

Install this kit only in luminaires that have the construction features and dimensions described in these instructions, and where the input rating of the retrofit kit does not exceed the input rating of the luminaire.

Refer to correlation label of luminaire and/or specification sheet at [www.NoraLighting.com](http://www.NoraLighting.com)

#### SELECTABLE CCT

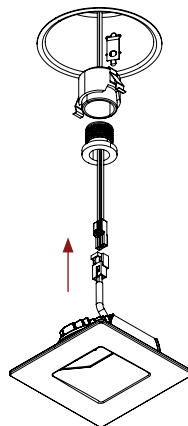
Select desired color temperature prior to installation.



#### RETROFITTING INTO HOUSING

**⚠ TURN OFF MAIN POWER BEFORE INSTALLATION**

Place LED Lamp Replacement Marking Sticker (provided) inside the housing. Use medium base socket adapter (provided), connect luminaire and insert into housing to complete installation.



#### INSTALLATION INTO LED HOUSING

**⚠ TURN OFF MAIN POWER BEFORE INSTALLATION**

Connect luminaire and insert into housing to complete installation.

