

Installation Instructions

NRLIN

L-Line LED Recessed Linear

READ PRIOR TO ATTEMPTING INSTALLATION
ALWAYS TURN OFF MAIN POWER BEFORE INSTALLATION
INSTALLATION SHOULD BE CARRIED OUT BY YOUR LOCAL ELECTRICIAN

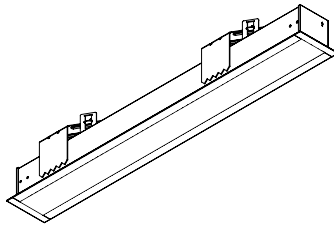
⚠ WARNING - This equipment is intended to be installed only by qualified personnel. The installation must be made in accordance with the current edition to the National Electric Code and all applicable state and local building codes. The final installation must be approved by the appropriate qualified electrical/building inspector(s). Improper installation may result in a fire or electrical hazard. Be sure the electrical power to the circuit has been disconnected before installing this electrical system.

⚠ AVERTISSEMENT - Cet équipement est destiné à être installé uniquement par du personnel qualifié. L'installation doit être faite en conformité avec l'édition actuelle du Code national de l'électricité et toutes étatiques et locales codes du bâtiment applicables. L'installation finale doit être approuvée par l'inspecteur en électricité / bâtiment qualifié approprié(s). Une mauvaise installation peut entraîner un incendie ou un risque électrique. Soyez sûr de la puissance électrique vers le circuit a été coupée avant l'installation de ce système électrique.

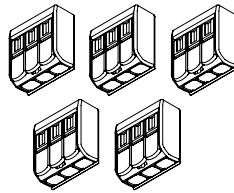
CATALOG NO.	DESCRIPTION	INPUT RATING
NRLIN-210	2' L-Line LED Recessed Linear	120-277VAC 23W 60Hz
NRLIN-410	4' L-Line LED Recessed Linear	120-277VAC 41W 60Hz
NRLIN-810	8' L-Line LED Recessed Linear	120-277VAC 78W 60Hz



PACKAGING CONTENTS



Luminaire



(5) Wire Splicing Connectors



CUT-OUT SIZES

Part Number	Cut Out Length	Cut Out Width
NRLIN-210	24.375"	2.625"
NRLIN-410	48.375"	2.625"
NRLIN-810	92.75"	2.625"

Ceiling Thickness: 0.25" (minimum) to 1" (maximum)

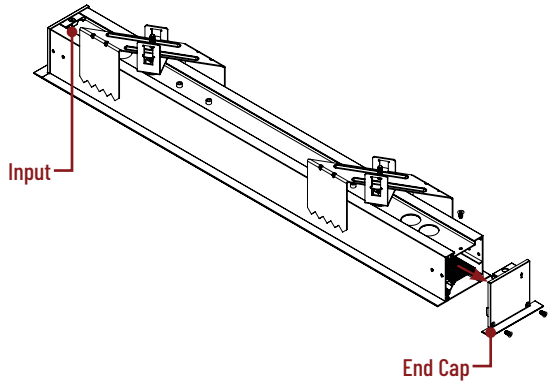
Installation Instructions

NRLIN

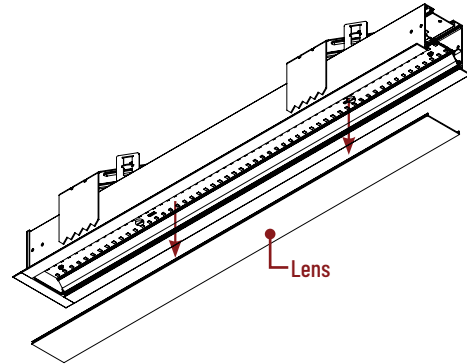
L-Line LED Recessed Linear

READ PRIOR TO ATTEMPTING INSTALLATION
ALWAYS TURN OFF MAIN POWER BEFORE INSTALLATION
INSTALLATION SHOULD BE CARRIED OUT BY YOUR LOCAL ELECTRICIAN

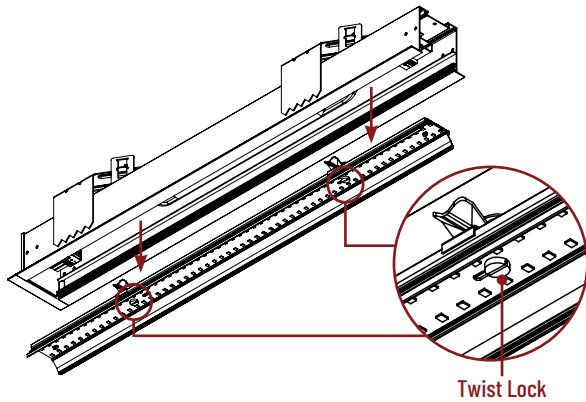
1 Remove the endcap on the output side.



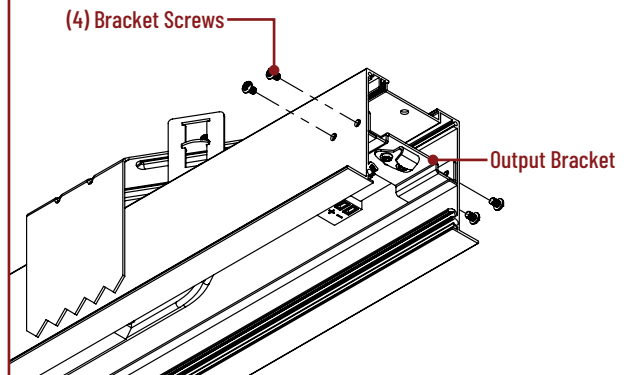
2 Remove the lens from the luminaire.



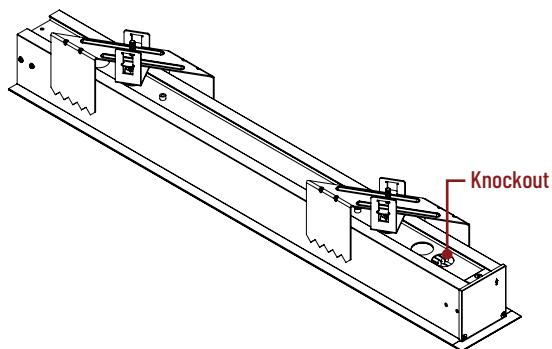
3 Using a flat head screwdriver, turn (2) twist locks 90° to release LED board from the luminaire body.



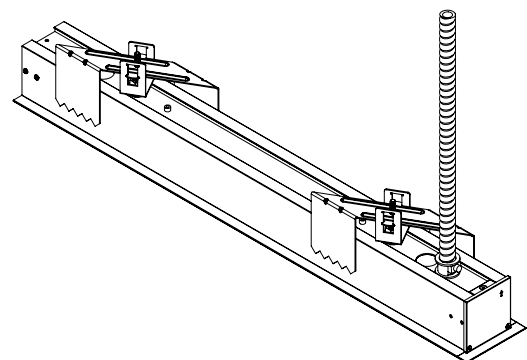
4 **If connecting multiple luminaires:**
Attach the output bracket (ordered separately) to the output side of luminaire.



5 Remove the first knockout on the input side.



6 Connect conduit (by others) with 5 wires to the knockout.
If single luminaire installation: Replace end cap



Installation Instructions

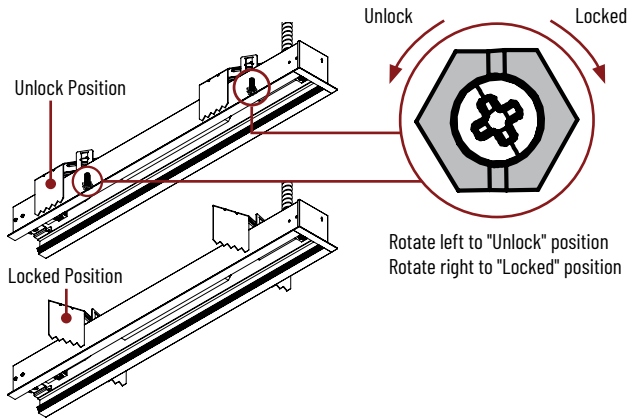
NRLIN

L-Line LED Recessed Linear

READ PRIOR TO ATTEMPTING INSTALLATION
ALWAYS TURN OFF MAIN POWER BEFORE INSTALLATION
INSTALLATION SHOULD BE CARRIED OUT BY YOUR LOCAL ELECTRICIAN

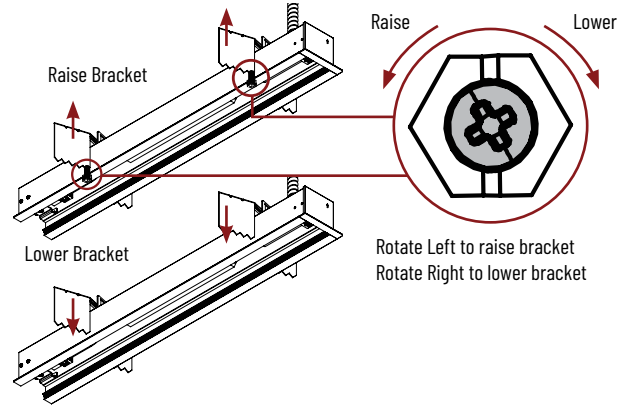
7a

Insert luminaire into the ceiling cut-out and turn (2) hex nuts to "Locked" position (clockwise).



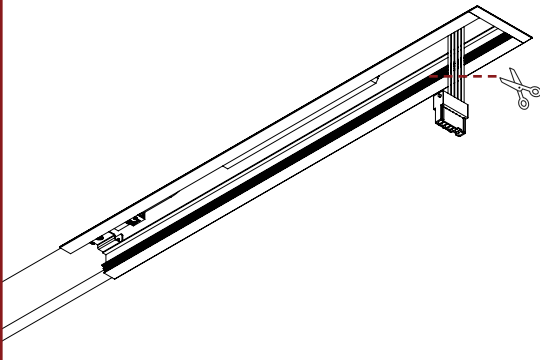
7b

Turn Philips screws right (clockwise) to lower the position of mounting brackets.



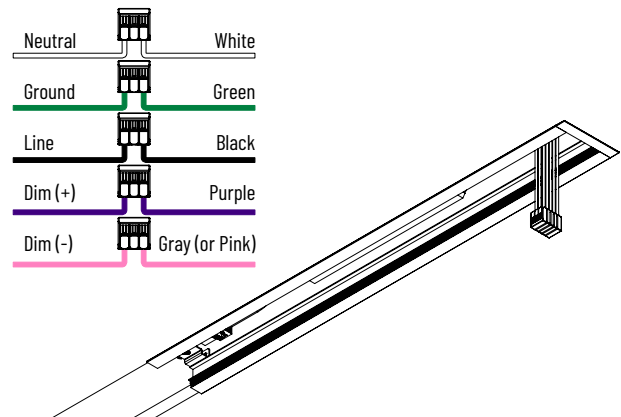
8

Cut off the connector (5-wire) on the input side.



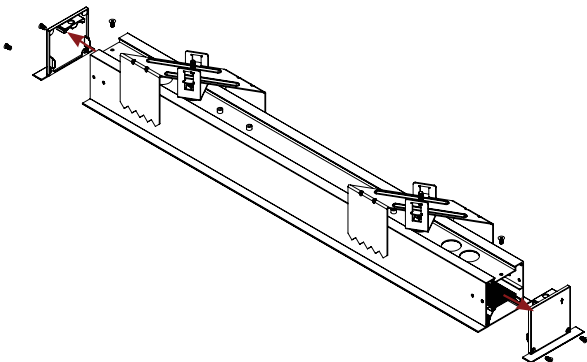
9

Strip the wires and connect them to the input wires with (5) wire splicing connectors.



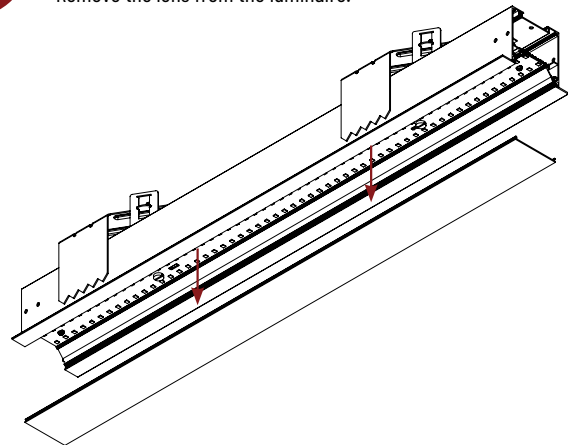
10

If single luminaire installation: Proceed to Step 18
Remove both end caps on the second luminaire.



11

Remove the lens from the luminaire.



Installation Instructions

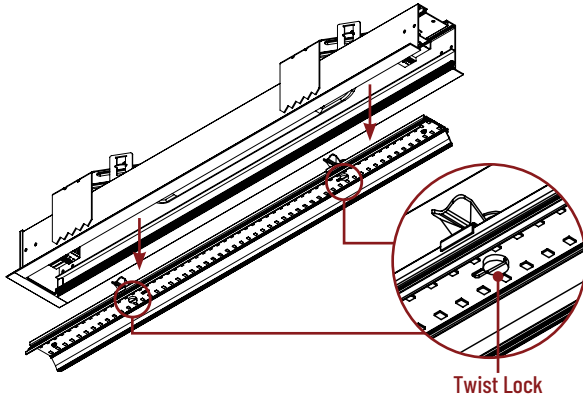
NRLIN

L-Line LED Recessed Linear

READ PRIOR TO ATTEMPTING INSTALLATION
ALWAYS TURN OFF MAIN POWER BEFORE INSTALLATION
INSTALLATION SHOULD BE CARRIED OUT BY YOUR LOCAL ELECTRICIAN

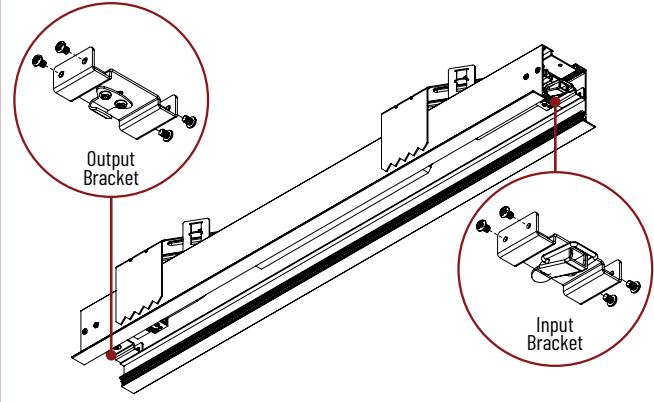
12

Using a flat head screwdriver, turn (2) twist locks 90° to release LED board from the luminaire body.



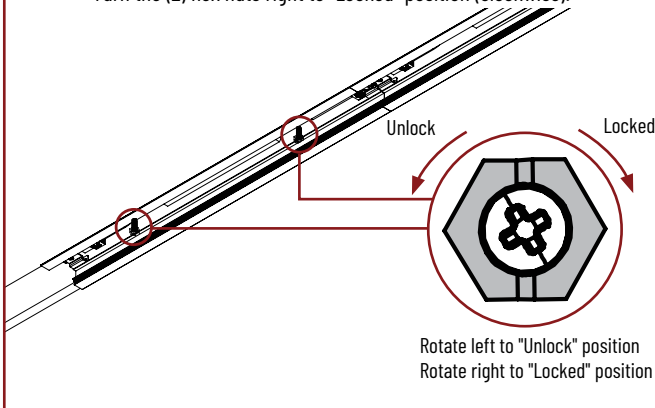
13

Attach both brackets (ordered separately) to luminaire using bracket screws. Match brackets to input / output accordingly.



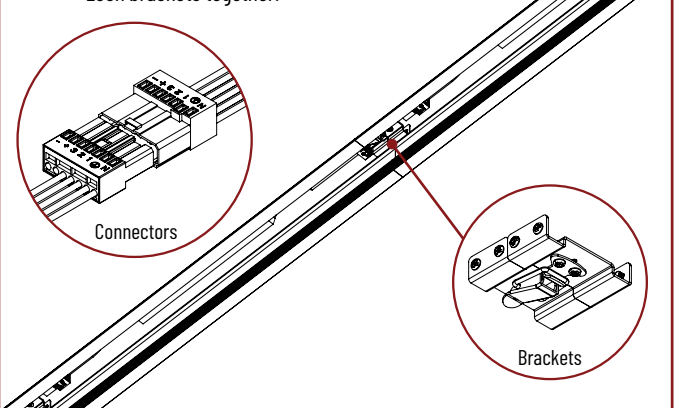
14

Install the second/middle luminaire in the cut-out. Place input end on second luminaire against output end of first luminaire. Turn the (2) hex nuts right to "Locked" position (clockwise).



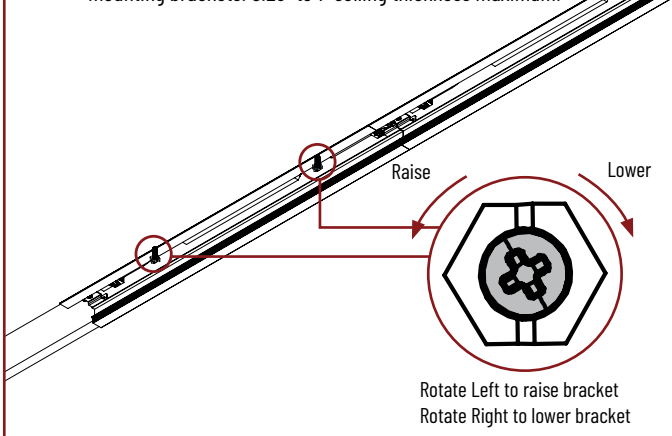
15

Connect 5-wire connector from the second luminaire to the 10-wire connector on the first luminaire. Lock brackets together.



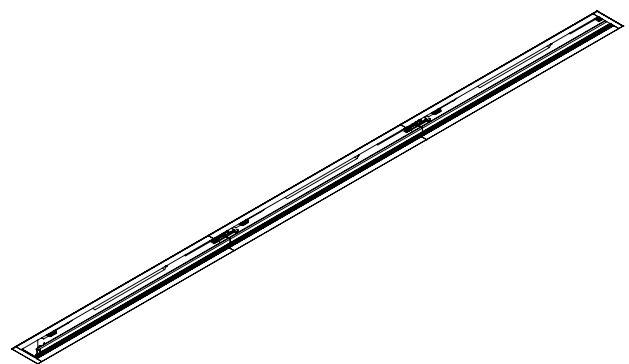
16

Turn Philips screws right (clockwise) to lower the position of mounting brackets. 0.25" to 1" ceiling thickness maximum.



17

Repeat step 10-16 to add additional luminaires.



Installation Instructions

NRLIN

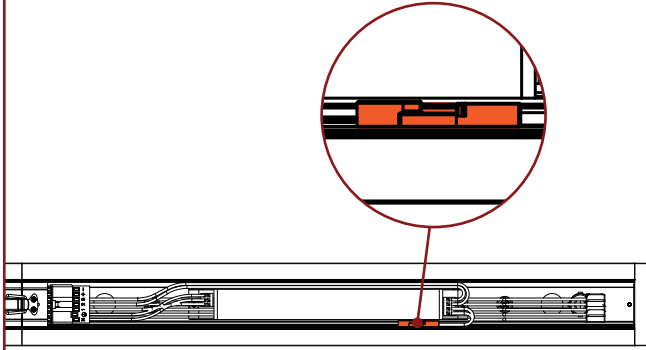
L-Line LED Recessed Linear

READ PRIOR TO ATTEMPTING INSTALLATION
ALWAYS TURN OFF MAIN POWER BEFORE INSTALLATION
INSTALLATION SHOULD BE CARRIED OUT BY YOUR LOCAL ELECTRICIAN

18

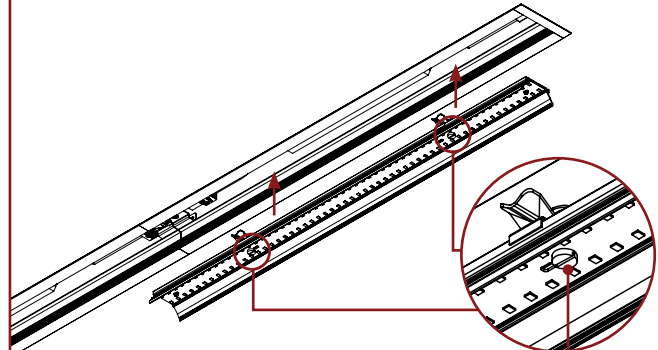
NRLIN-2 ONLY:

Place the low voltage (orange) connectors next to the driver



19

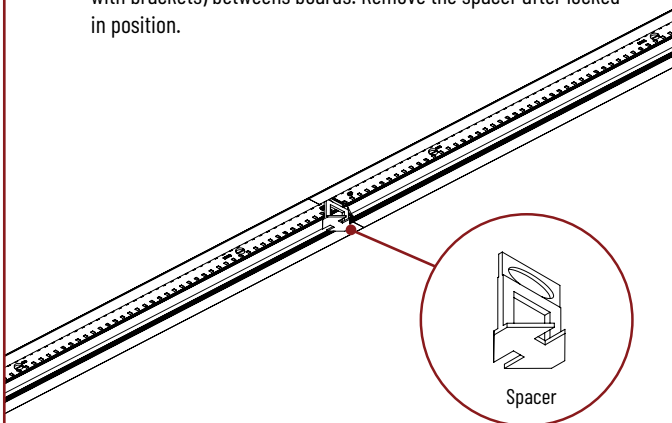
Replace the first LED board and lock with a flat head screwdriver. Turn (2) twist locks 90° to lock each.



Twist Lock

20

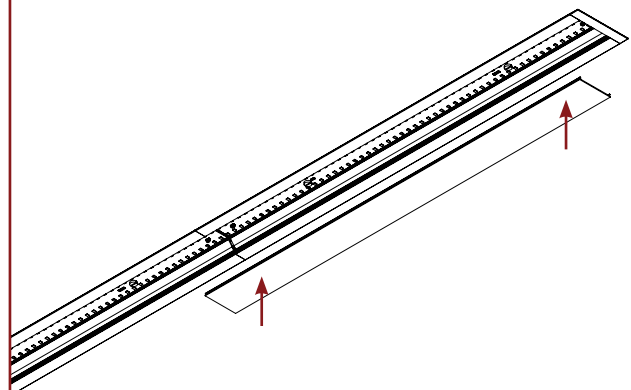
Replace the next LED board while placing the spacer (included with brackets) between boards. Remove the spacer after locked in position.



Spacer

21

Replace the lens(es).



22

Installation Complete.

