

Installation Instructions

NUDTW-88/23345

LEDUR 120V Tunable LED Edge-Lit Under Cabinet

READ PRIOR TO ATTEMPTING INSTALLATION
ALWAYS TURN OFF MAIN POWER BEFORE INSTALLATION
INSTALLATION SHOULD BE CARRIED OUT BY YOUR LOCAL ELECTRICIAN

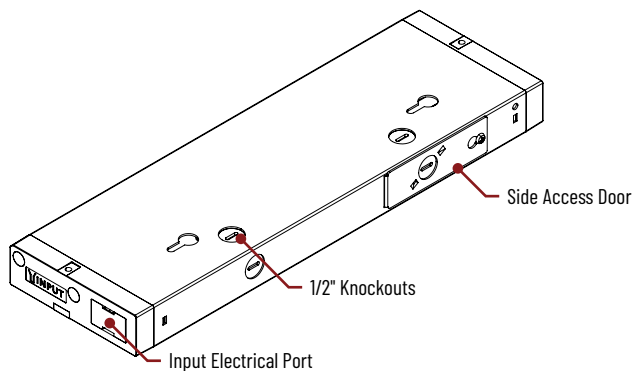
⚠ FIRE/ELECTRICAL HAZARD: INSTALL ACCORDING TO NATIONAL ELECTRIC CODE AND ANY APPLICABLE MUNICIPAL CODE REQUIREMENTS. - This equipment is intended to be installed only by qualified personnel. The installation must be made in accordance with the current edition to the National Electric Code and all applicable state and local building codes. The final installation must be approved by the appropriate qualified electrical/building inspector(s). Improper installation may result in a fire or electrical hazard. Be sure the electrical power to the circuit has been disconnected before installing this electrical system.

⚠ RISQUE D'INCENDIE / D'ÉLECTRICITÉ: INSTALLER SELON LE CODE ÉLECTRIQUE NATIONAL ET TOUTES LES EXIGENCES RELATIVES AU CODE MUNICIPAL APPLICABLE. - Cet équipement est destiné à être installé uniquement par du personnel qualifié. L'installation doit être faite conformément à l'édition actuelle du Code national de l'électricité et de tous les codes de construction locaux et nationaux applicables. L'installation finale doit être approuvée par un ou plusieurs inspecteurs qualifiés en électricité / bâtiment. Une installation incorrecte peut entraîner un incendie ou un risque électrique. Assurez-vous que l'alimentation électrique du circuit a été déconnectée avant d'installer ce système électrique.

WIRING LOCATIONS

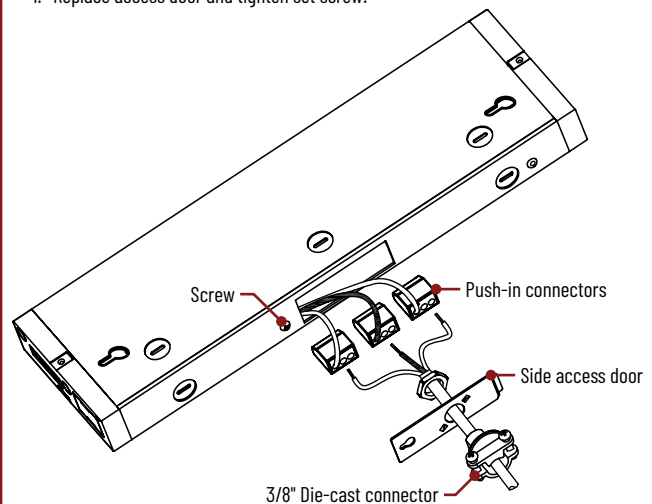
Luminaire can be wired in three different locations.

- 1/2" Knockouts on the back or bottom of luminaire
- Side access door on the back of luminaire
- Input electrical port on the side of luminaire



SIDE ACCESS DOOR WIRING

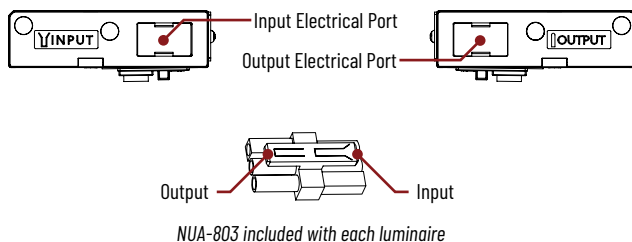
1. Loosen set screw on side access door and remove the door from keyhole slot.
2. Assemble 3/8" die-cast connector (included) to the access door and supply the input cables through the die-cast connector.
3. Connect supply wires to luminaire's push-in connectors inside luminaire.
4. Replace access door and tighten set screw.



ELECTRICAL PORTS

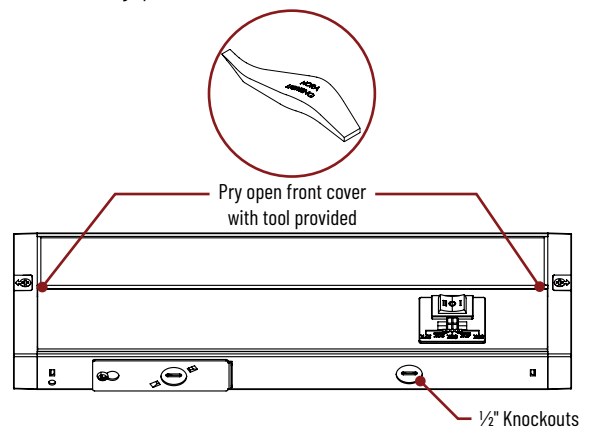
Luminaires have dedicated "INPUT" and "OUTPUT" electrical ports for connection to power cord, jumper cable or end-to-end connector.

1. Remove electrical port cover
2. Connect INPUT of end-to-end connector (included), jumper cable (ordered separately) or power cord (ordered separately)
3. Connect OUTPUT of end-to-end connector or jumper cable to OUTPUT electrical port of next luminaire.



FRONT COVER REMOVAL

Luminaire includes a removal tool that inserts under each end of the front cover to pry open. Gently pry open cover with tool provided or with a small regular screw driver. 1/2" Knockouts can be accessed and to make electrical connections. Keyhole slots are available for mounting options.



Installation Instructions

NUDTW-88/23345

LEDUR 120V Tunable LED Edge-Lit Under Cabinet

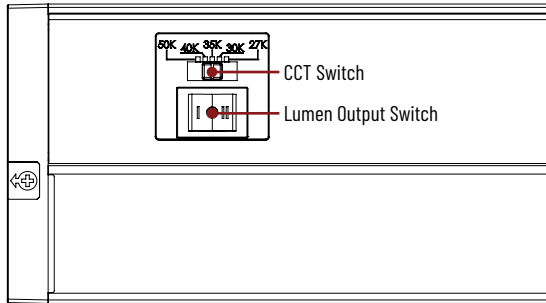
READ PRIOR TO ATTEMPTING INSTALLATION
ALWAYS TURN OFF MAIN POWER BEFORE INSTALLATION
INSTALLATION SHOULD BE CARRIED OUT BY YOUR LOCAL ELECTRICIAN

SELECTING COLOR TEMPERATURE AND LUMEN OUTPUT

Luminaire includes two switches; selectable color temperature and lumen output

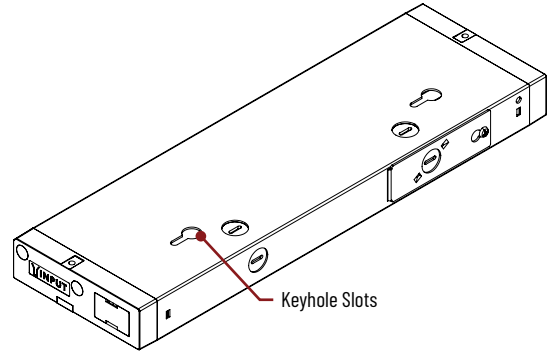
- CCT Switch allows color temperature to be changed from: 2700K (27K), 3000K (30K), 3500K (35K), 4000K (40K) or 5000K (50K)
- Lumen Output Switch allows output to be changed from: Standard Output (I) or High Output (II)

Each luminaire switch must be set prior to installation.



KEYHOLE MOUNTING SLOTS

Luminaire includes two keyhole slots on bottom. Remove front cover with removal tool, if necessary.



CAPTIVE MOUNTING SCREWS

Luminaire includes captive mounting screws and covers.

1. Remove screw covers by sliding to expose captive screws.
2. Place luminaire in desired position and driver captive screws into surface. (Drywall anchors are included, if needed)
3. Replace screws covers by sliding in.

