

Installation Instructions

NWEL0-8R

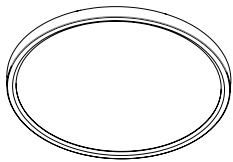
8" wELO LED Surface Mount Luminaire

READ PRIOR TO ATTEMPTING INSTALLATION
ALWAYS TURN OFF MAIN POWER BEFORE INSTALLATION
INSTALLATION SHOULD BE CARRIED OUT BY YOUR LOCAL ELECTRICIAN

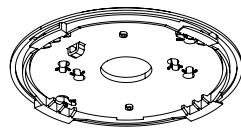
- ⚠ WARNING** - Risk of fire. Use 120-277V, 60Hz circuit.
- ⚠ WARNING** - Risk of shock. An electric current can cause painful shock or serious injury unless handled properly. For your safety, always remember to turn off power supply at the fuse or circuit breaker box before you install the fixture and ground the fixture to avoid potential electric shocks and to ensure reliable starting.
- ⚠ WARNING** - Risk of cuts. Some metal parts in the fixture may have sharp edges. To prevent cuts and scrapes, wear gloves when handling the parts.
- ⚠ WARNING** - This fixture is designed for use in a circuit protected by a fuse or circuit breaker. It is also designed to be installed in accordance with local electric codes. If you are unsure about your wiring, consult a qualified electrician or a local electrical inspector, and check your local electric code.
- ⚠ AVERTISSEMENT** - Risque d'incendie. Utiliser des circuit 120-277V, 60Hz.
- ⚠ AVERTISSEMENT** - Risque de choc. Un courant électrique peut causer des chocs douloureux Pour votre sécurité, vérifiez l'alimentation du boîtier du disjoncteur avant d'installer le projecteur et de le mettre à la terre pour éviter tout risque choc et assurer un démarrage fiable.
- ⚠ AVERTISSEMENT** - Risque de coupure. Certaines pièces métalliques de l'appareil peuvent avoir des arêtes vives. Pour éviter les coupures et les éraflures, portez des gants lors de la manipulation des pièces.
- ⚠ IMPORTANT** - Cet appareil est conçu pour être utilisé dans un circuit protégé par un fusible ou un disjoncteur. Il est également conçu pour être installé conformément aux codes électriques locaux. En cas de doute sur votre câblage, consultez un électricien qualifié ou un inspecteur en électricité local et vérifiez votre code d'électricité local.



PACKAGING CONTENTS



LED Luminaire



Bracket

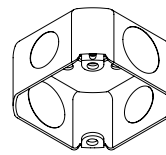


(2) Junction Box Screws

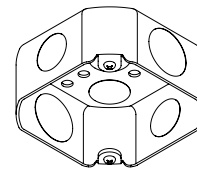


(4) Wire Nuts

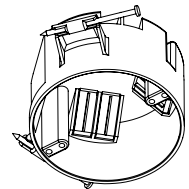
COMPATIBLE JUNCTION BOXES



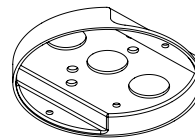
3" Octagonal



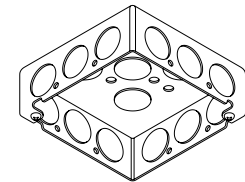
4" Octagonal



4" Round



4" Pancake



4" Square
(requires NWEL0-4BKT, ordered separately)

INSTALLATION

1. Turn off power.
2. Connect luminaire's wires to supply wires from junction box (not included). (Figure 1)
3. Mount the bracket to the junction box. (Figure 2)
4. Mount the luminaire to the bracket and rotate the luminaire clockwise to secure (Figure 3)
5. Installation complete. (Figure 4)

Figure 1

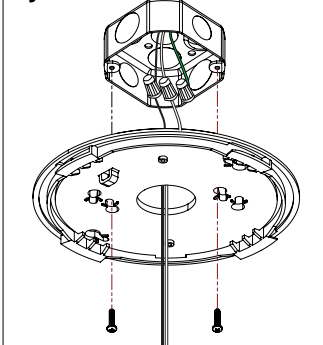


Figure 2

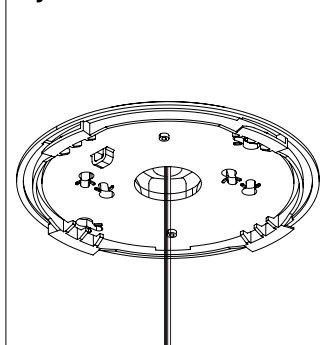


Figure 3

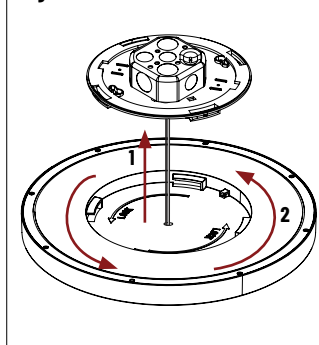
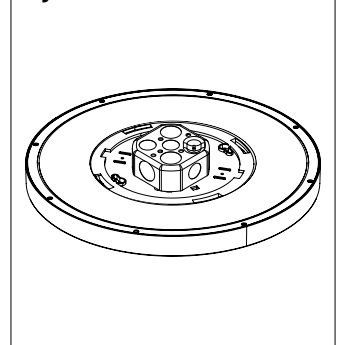


Figure 4



Installation Instructions

NWEL0-8R

8" wELO LED Surface Mount Luminaire

READ PRIOR TO ATTEMPTING INSTALLATION
ALWAYS TURN OFF MAIN POWER BEFORE INSTALLATION
INSTALLATION SHOULD BE CARRIED OUT BY YOUR LOCAL ELECTRICIAN

4" SQUARE JUNCTION BOX INSTALLATION

1. Turn off power.
2. Connect luminaire's wires to supply wires from junction box (not included). (Figure 1)
3. Mount the NWEL0-4BKT (ordered separately) to the junction box. (Figure 2)
4. Mount the luminaire's bracket (included) to NWEL0-4BKT (Figure 3)
5. Mount the luminaire to the bracket and rotate the luminaire clockwise to secure (Figure 3)
6. Installation complete. (Figure 4)

REQUIRES: NWEL0-4BKT (Ordered Separately)

Figure 1

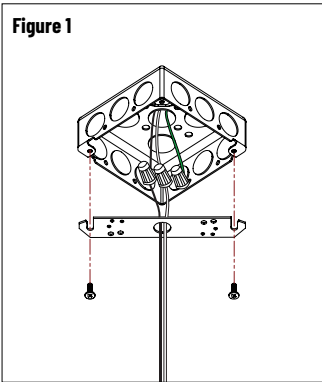


Figure 2

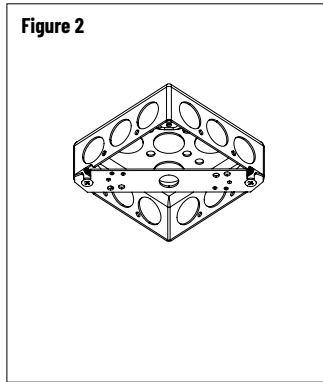


Figure 3

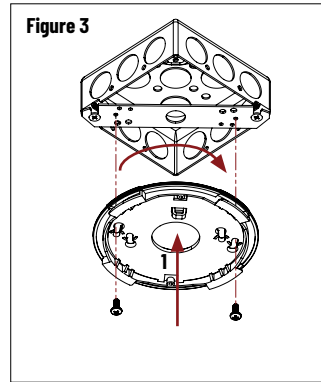


Figure 4

