

Type _____
 Project _____
 Catalog No. _____
 Lamp/Wattage _____

NMT-150 / 300 / 600 / 1200
 Magnetic Transformers

PRODUCT DESCRIPTION

Premium quality dimmable magnetic transformers in wattages from 150 to 1200. The magnetic transformers have re-settable breaker protection on both the primary and secondary sides. Additionally, all magnetic transformers have a boost tap to increase the voltage output for longer runs. The boost tap is necessary on long runs to get full designed lamp performance. Magnetic transformers are recommended for commercial applications or applications where the transformer must be removed a far distance from the light run. Magnetic transformers have an inherent minimal amount of hum and this should be considered in the job application.

ELECTRICAL

- NEC Class I Breaker Protection
- Short Circuit and Overload protection
- Boost Tap for Longer Runs
- 24 Hour Operation
- Direct Sunlight Capable
- UL Listed
- All Magnetic Transformer are dimmable with Magnetic Low Voltage Dimmers

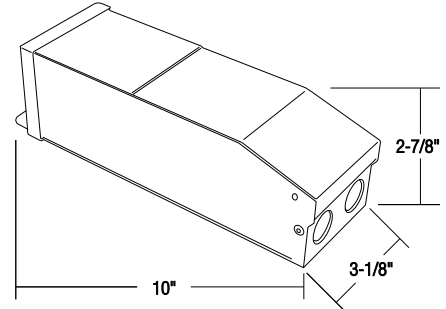
Transformer	Input Volts	Output Volts	Low Voltage 25A Breakers	Maximum Mounting Distance
NMT-150	120	12	N/A	50'
NMT-300/12SP	120	12	1	50'
NMT-300/24SP	120	24	1	50'
NMT-600/12SP	120	12	2	50'
NMT-600/24SP	120	24	1	50'
NMT-1200/12SP	120	12	4	50'
NMT-1200/24SP	120	24	2	50'

NMT - 150 - 300 - 600 - 1200

Catalog Number	Watts	Output Volts
NMT-	150 = 150	/12SP = 12
	300 = 300	/24SP = 24
	600 = 600	
	1200 = 1200	

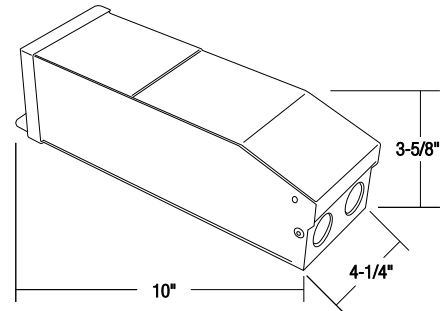
NMT-150/12SP

Width: 2-7/8"
 Length: 3-1/8"
 Height: 10"



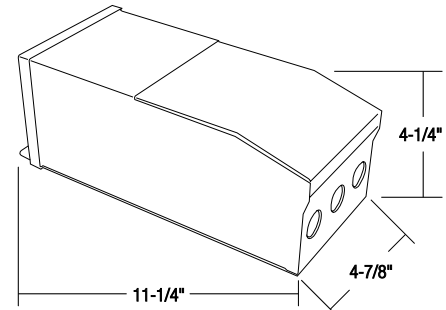
NMT-300/12SP
NMT-300/24SP

Width: 3-5/8"
 Length: 4-1/4"
 Height: 10"



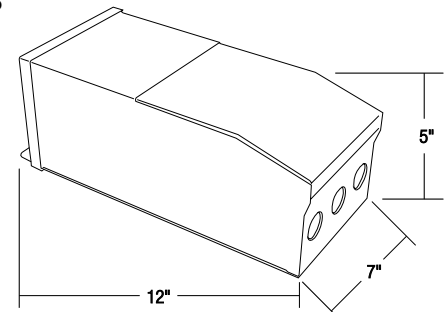
NMT-600/12SP
NMT-600/24SP

Width: 4-1/4"
 Length: 4-7/8"
 Height: 11-1/4"



NMT-1200/12SP
NMT-1200/24SP

Width: 5"
 Length: 7"
 Height: 12"



Create a complete Catalog Item number: Example: **NMT - 150 / 12 SP**