

NRS11-108

Lika Luminaire

Source: 50W MR16 GU10 120V (not included)

Type _____

Project _____

Catalog No. _____

Notes _____

PRODUCT DESCRIPTION

Line voltage MR16 adjustable gimbal ring fixture. MR16 lamp clips directly into the adjustable gimbal ring. Luminaire has small stem extending from rail connector, allowing full aiming and 350° adjustment with a low profile.

CONSTRUCTION

Housing: Main body constructed from one piece 0.07" die-cast aluminum. Accent Ring – die-cast aluminum, secured to the main body by a screw.

Stem: Material: 0.07" die-cast aluminum.

ELECTRICAL

Input Voltage: 120V

Wiring: 18 Gauge AWG 200°C, 300V

Socket: GU10 porcelain base with nickel plated copper contacts.

Universal Connector: Construction: 0.07" die cast aluminum shell

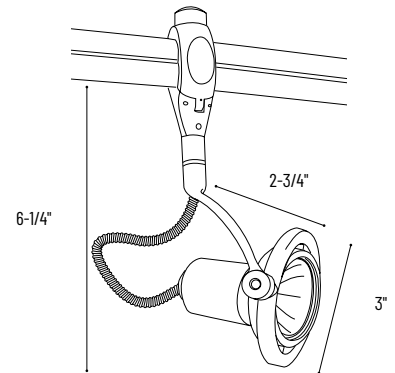
Contacts: Copper for positive and neutral Copper contact spring on top to provide solid contact with ground conductor located on top of rail.

LISTINGS AND WARRANTY

· cULus Listed for Dry Location only



PRODUCT IMAGES & DIMENSIONS



Lika Luminaire

Catalog No.	Finish
NRS11-108	BN = Brushed Nickel
	BZ = Bronze
	S = Silver

Example: **NRS11-108BN** = Lika Luminaire with Accent Ring, Brushed Nickel Finish